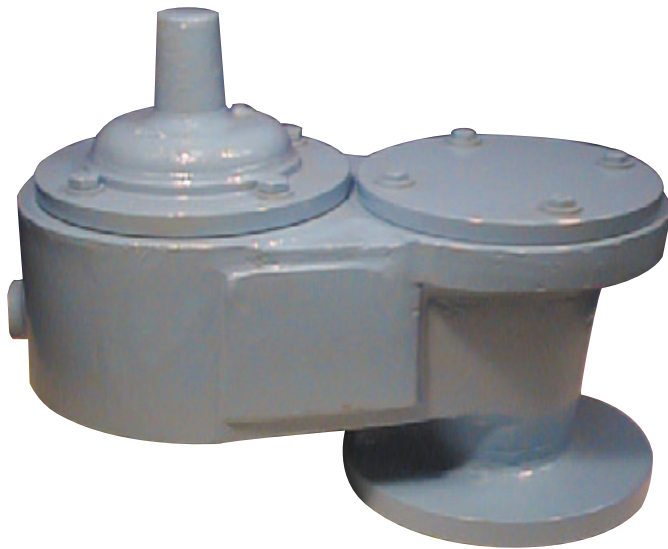




ANDERSON GREENWOOD WHESSOE 4110A VACUUM RELIEF VALVES

Weight or spring loaded vacuum relief valves with a variety of material and setting options



FEATURES

- Weight or spring loaded models available.
- Choice of body materials.
- Stainless steel removable seats.
- Low ambient temperature version available.
- Full flange.
- ANSI and DIN flanges.
- Self draining body.

GENERAL APPLICATION

The 4110A is designed to satisfy the requirements of the liquid storage industry in storage tank farms, in the petroleum and chemical sectors and in refineries and terminals.

TECHNICAL DATA

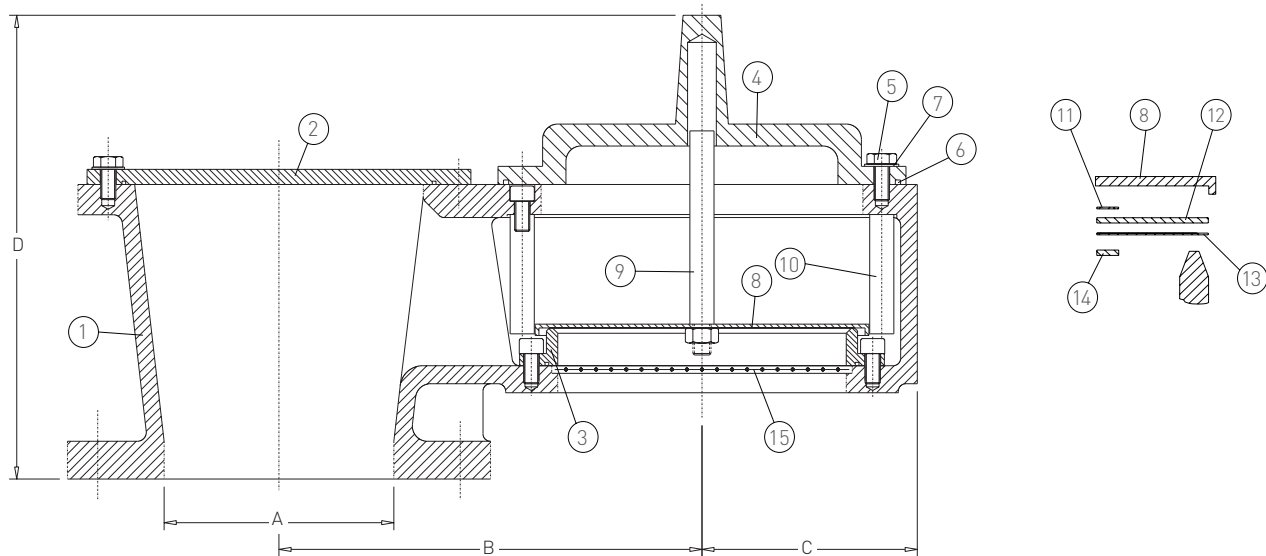
| | |
|--------------------------|---|
| Materials: | Aluminum, carbon steel, stainless steel |
| Sizes: | 2" to 12" (DN 50 to 300) |
| Vacuum settings | |
| Weight loaded: | 2.5 to 70 mbarg |
| Spring loaded: | 50 to 800 mbarg |
| Max. operating pressure: | 3.5 bar |



ANDERSON GREENWOOD WHESSOE 4110A VACUUM RELIEF VALVES

4110A VACUUM RELIEF VALVE

Weight loaded



PARTS LIST

| Item | Description | Aluminum spec. | C. steel | S.S spec |
|------|------------------------|----------------|--------------|--------------|
| 1 | Valve body | Aluminum | W.C.B | 316 S.S |
| 2 | Blanking plate | Aluminum | C. steel | 316 SS |
| 3 | Removable seat | Aluminum | 316 SS | 316 SS |
| 4 | Valve cover | Aluminum | W.C.B | 316 SS |
| 5 | Cover screws | ZP steel | ZP steel | 18/8 SS |
| 6 | O'ring seal | Nitrile | Nitrile | Nitrile |
| 7 | Sealing washers | G fiber | G fiber | G fiber |
| 8 | Pallet | 316 SS | 316 SS | 316 SS |
| 9 | Pallet stem | 316 SS | 316 SS | 316 SS |
| 10 | Pallet guide posts | 316 SS | 316 SS | 316 SS |
| 11 | Spacer disc | Non-asbestos | Non-asbestos | Non-asbestos |
| 12 | Diaphragm backing disc | Non-asbestos | Non-asbestos | Non-asbestos |
| 13 | Diaphragm | PTFE | PTFE | PTFE |
| 14 | Diaphragm support disc | 316 SS | 316 SS | 316 SS |
| 15 | Screen | Galv St | Galv St | 18/8 SS |

DIMENSIONS

| Nominal size DN | 50 | 75 | 100 | 150 | 200 | 250 | 300 |
|------------------|-----|-----|-----|-----|-----|-----|-----|
| Nominal size NPS | 2 | 3 | 4 | 6 | 8 | 10 | 12 |
| A | 50 | 76 | 101 | 152 | 203 | 254 | 305 |
| B | 146 | 185 | 213 | 280 | 335 | 397 | 450 |
| C | 81 | 100 | 118 | 142 | 173 | 208 | 235 |
| D | 226 | 264 | 289 | 307 | 357 | 406 | 441 |
| E | 390 | 411 | 430 | 465 | 562 | 610 | 580 |

WEIGHTS 4110A WEIGHT LOADED

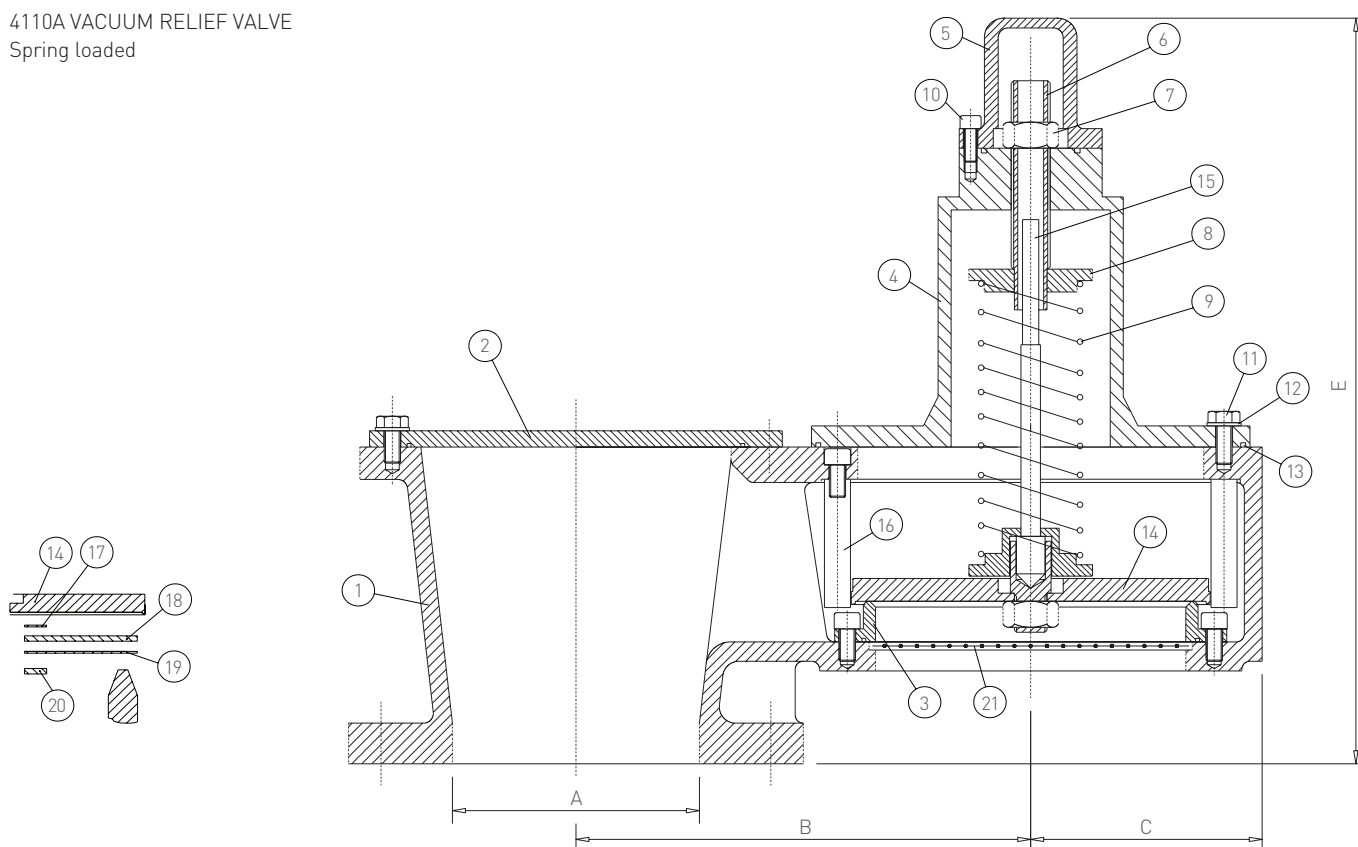
| | 2" | 3" | 4" | 6" | 8" | 10" | 12" |
|----------|----|----|----|----|----|-----|-----|
| Aluminum | 4 | 6 | 10 | 17 | 26 | 39 | 51 |
| CS/SS | 11 | 14 | 25 | 43 | 68 | 101 | 135 |

WEIGHTS 4110A SPRING LOADED

| | 2" | 3" | 4" | 6" | 8" | 10" | 12" |
|----------|----|----|----|----|----|-----|-----|
| Aluminum | 6 | 8 | 12 | 18 | 67 | tba | tba |
| CS/SS | 17 | 24 | 35 | 56 | 84 | 120 | 160 |

ANDERSON GREENWOOD WHESSOE 4110A VACUUM RELIEF VALVES

4110A VACUUM RELIEF VALVE
Spring loaded



PARTS LIST

| Item | Description | Aluminum spec. | C. steel | S.S spec |
|------|------------------------|----------------|--------------|--------------|
| 1 | Valve body | Aluminum | W.C.B | 316 SS |
| 2 | Blanking plate | Aluminum | C. steel | 316 SS |
| 3 | Removable seat | Aluminum | 316 SS | 316 SS |
| 4 | Spring bonnet | Aluminum | W.C.B | 316 SS |
| 5 | Bonnet cap | Aluminum | W.C.B | 316 SS |
| 6 | Adjustment screw | 316 SS | 316 SS | 316 SS |
| 7 | Locknut | 18/8 SS | 18/8 SS | 18/8 SS |
| 8 | Spring washers | 316 SS | 316 SS | 316 SS |
| 9 | Spring | 316 SS | 316 SS | 316 SS |
| 10 | Cap screw | ZP steel | ZP steel | 18/8 SS |
| 11 | Bonnet screws | ZP steel | ZP steel | 18/8 SS |
| 12 | Sealing washers | G fiber | G fiber | G fiber |
| 13 | O ring seal | Nitrile | Nitrile | Nitrile |
| 14 | Pallet | 316 SS | 316 SS | 316 SS |
| 15 | Pallet stem | 316 SS | 316 SS | 316 SS |
| 16 | Pallet guide posts | 316 SS | 316 SS | 316 SS |
| 17 | Spacer disc | Non-asbestos | Non-asbestos | Non-asbestos |
| 18 | Diaphragm backing disc | Non-asbestos | Non-asbestos | Non-asbestos |
| 19 | Diaphragm | PTFE | PTFE | PTFE |
| 20 | Diaphragm support disc | 316 SS | 316 SS | 316 SS |
| 21 | Screen | Galv St | Galv St | 18/8 SS |

ANDERSON GREENWOOD WHESSOE 4110A VACUUM RELIEF VALVES

4110A WEIGHT LOADED VACUUM FLOW FIGURES

| Set pressure mbar | 2" | | | 3" | | | 4" | | | 6" | | | 8" | | | 10" | | | 12" | | |
|----------------------|---------------|-----|-----|---------------|-----|-----|---------------|------|------|---------------|------|------|---------------|------|------|---------------|------|------|---------------|-------|-------|
| | Over pressure | | | Over pressure | | | Over pressure | | | Over pressure | | | Over pressure | | | Over pressure | | | Over pressure | | |
| | 20% | 35% | 50% | 20% | 35% | 50% | 20% | 35% | 50% | 20% | 35% | 50% | 20% | 35% | 50% | 20% | 35% | 50% | 20% | 35% | 50% |
| 2.5 | 44 | 58 | 75 | 99 | 131 | 168 | 175 | 232 | 298 | 395 | 523 | 671 | 702 | 929 | 1194 | 1096 | 1451 | 1865 | 1579 | 2090 | 2686 |
| 10 | 88 | 116 | 149 | 197 | 261 | 336 | 351 | 464 | 597 | 789 | 1045 | 1343 | 1403 | 1858 | 2387 | 2192 | 2903 | 3730 | 3157 | 4180 | 5371 |
| 25 | 139 | 184 | 236 | 312 | 413 | 531 | 555 | 734 | 944 | 1248 | 1652 | 2123 | 2219 | 2938 | 3775 | 3466 | 4590 | 5898 | 4992 | 6610 | 8493 |
| 50 | 196 | 260 | 334 | 441 | 584 | 751 | 784 | 1039 | 1335 | 1765 | 2337 | 3003 | 3138 | 4154 | 5338 | 4902 | 6491 | 8341 | 7059 | 9347 | 12011 |
| 60 | 215 | 284 | 365 | 483 | 640 | 822 | 859 | 1138 | 1462 | 1933 | 2560 | 3289 | 3437 | 4551 | 5847 | 5370 | 7111 | 9137 | 7733 | 10240 | 13157 |

Flow in m³/hr

4110A SPRING LOADED VACUUM FLOW FIGURES

| Set pressure mbar | 2" | | | 3" | | | 4" | | | 6" | | | 8" | | | 10" | | | 12" | | |
|----------------------|---------------|-----|-----|---------------|------|------|---------------|------|------|---------------|------|------|---------------|------|-------|---------------|-------|-------|---------------|-------|-------|
| | Over pressure | | | Over pressure | | | Over pressure | | | Over pressure | | | Over pressure | | | Over pressure | | | Over pressure | | |
| | 20% | 35% | 50% | 20% | 35% | 50% | 20% | 35% | 50% | 20% | 35% | 50% | 20% | 35% | 50% | 20% | 35% | 50% | 20% | 35% | 50% |
| 150 | 184 | 251 | 301 | 414 | 565 | 676 | 736 | 1005 | 1202 | 1657 | 2261 | 2705 | 2946 | 4019 | 4809 | 4602 | 6280 | 7514 | 6627 | 9043 | 10820 |
| 250 | 238 | 325 | 389 | 535 | 731 | 874 | 952 | 1299 | 1554 | 2142 | 2923 | 3497 | 3808 | 5196 | 6217 | 5950 | 8118 | 9714 | 8567 | 11690 | 13987 |
| 500 | 337 | 459 | 549 | 757 | 1033 | 1236 | 1346 | 1837 | 2198 | 3029 | 4133 | 4945 | 5385 | 7348 | 8792 | 8414 | 11481 | 13737 | 12116 | 16532 | 19781 |
| 750 | 412 | 562 | 673 | 927 | 1265 | 1513 | 1648 | 2248 | 2690 | 3707 | 5059 | 6053 | 6591 | 8993 | 10760 | 10298 | 14051 | 16813 | 14829 | 20234 | 24211 |

Flow in m³/hr

Neither Emerson, Emerson Automation Solutions, nor any of their affiliated entities assumes responsibility for the selection, use or maintenance of any product. Responsibility for proper selection, use, and maintenance of any product remains solely with the purchaser and end user.

Anderson Greenwood is a mark owned by one of the companies in the Emerson Automation Solutions business unit of Emerson Electric Co. Emerson Automation Solutions, Emerson and the Emerson logo are trademarks and service marks of Emerson Electric Co. All other marks are the property of their respective owners.

The contents of this publication are presented for informational purposes only, and while every effort has been made to ensure their accuracy, they are not to be construed as warranties or guarantees, express or implied, regarding the products or services described herein or their use or applicability. All sales are governed by our terms and conditions, which are available upon request. We reserve the right to modify or improve the designs or specifications of such products at any time without notice.

Emerson.com/FinalControl