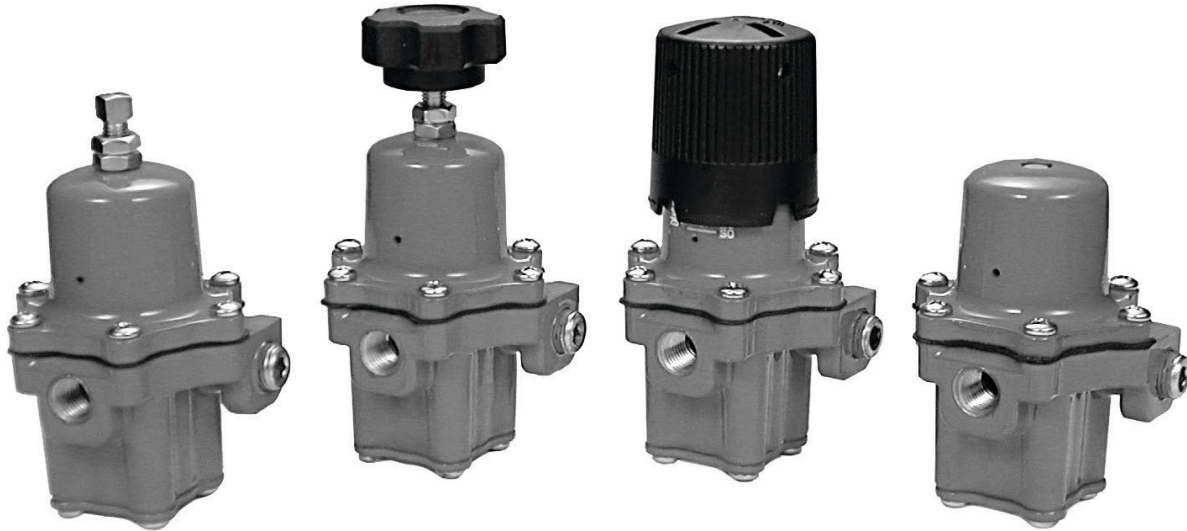


January 2010

67C Series High-Pressure Regulators



W8810

Figure 1. 67C Series Regulators

Introduction

The 67C Series high-pressure regulators meet a variety of applications in liquid or vapor service. The compact body design makes the 67C Series particularly useful in installations with space limitations.

The basic 67C Series regulator comes equipped with a wrench or handwheel adjustment (67CW or 67CH Series). The highly accurate 67CD Series eliminates the need for a pressure gauge on portable applications by using calibrated scales on the spring case, allowing visual adjustment of outlet pressure. The non-adjustable 67CN Series provides a tamper-resistant spring case and one of three fixed setpoints: 10, 15 or 20 psi / 0.69, 1.0 or 1.4 bar.

The 67C Series carries a UL listing as a high-pressure, non-relief regulator. This series contains brass materials that are not compatible with anhydrous ammonia service.

Features

- **Compact**
- **High Stability**
- **UL Listed**

67C Series

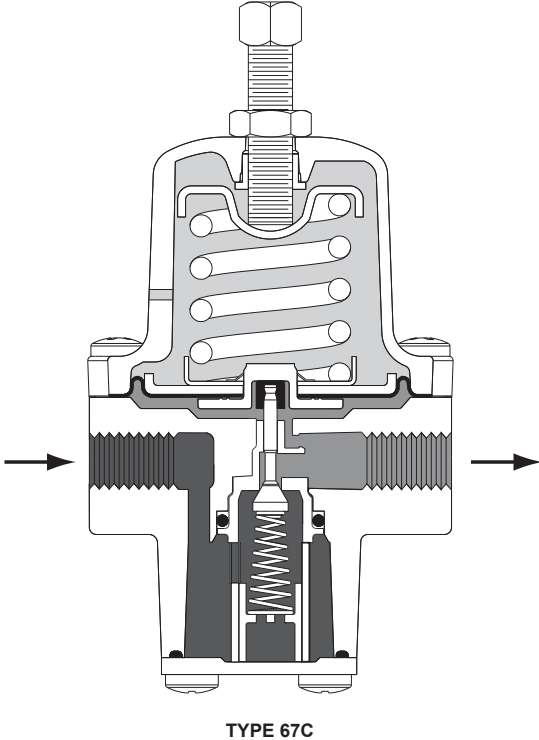
Specifications

<p>Maximum Allowable Inlet Pressure 250 psig / 17.2 bar</p> <p>Maximum Emergency Outlet Pressure 50 psig / 3.4 bar above outlet pressure setting</p> <p>Temperature Capabilities -40 to 180°F / -40 to 82°C</p> <p>Outlet Pressure Range See Table 1</p>	<p>Body Size and End Connection Style 1/4 FNPT</p> <p>Spring Case Vent Location Aligned over inlet</p> <p>Options</p> <ul style="list-style-type: none"> • Wrench Adjustment • Handwheel Adjustment • Dial Cap Adjustment • Tamper-Resistant, Non-Adjustable Spring Case • Outlet Pressure Gauge
--	--

Table 1. Regulator Specification and Ordering Information

OUTLET PRESSURE SETTING, psig / bar	SPRING RANGE, psig / bar	INLET AND OUTLET CONNECTIONS	CAPACITY IN BTU/HR OF PROPANE ⁽¹⁾	ADJUSTMENT STYLE AND TYPE NUMBER	
				Wrench	Handwheel
----	----	1/4 FNPT	----		
15 / 1.0	3 to 20 / 0.21 to 1.4		675,000	67CW-683	67CH-751
20 / 1.4	3 to 35 / 0.21 to 2.4		750,000	67CW-684	67CH-743
40 / 2.8	30 to 60 / 2.1 to 4.1		1,200,000	67CW-685	67CH-742
50 / 3.4	50 to 135 / 3.4 to 9.3		1,000,000	67CW-701	67CH-741
----	----		----	Dial Cap	
15 / 1.0	5 to 20 / 0.34 to 1.4		675,000	67CD-100	
40 / 2.8	20 to 50 / 1.4 to 3.4		1,200,000	67CD-102	
50 / 3.4	40 to 100 / 2.8 to 6.9		1,000,000	67CD-103	
----	----		----	Non-Adjustable	
10 / 0.69	Non-Adjustable		400,000	67CN-106	
15 / 1.0			600,000	67CN-104	
20 / 1.4			750,000	67CN-105	

1. Based on inlet pressure 20 psig / 1.4 bar greater than outlet with 20% droop. Liquid capacity equals 3 to 5 GPH / 11.4 to 18.9 l/h.



W8442

- INLET PRESSURE
- OUTLET PRESSURE
- ATMOSPHERIC PRESSURE

Figure 2. 67C Series Regulator Operational Schematic

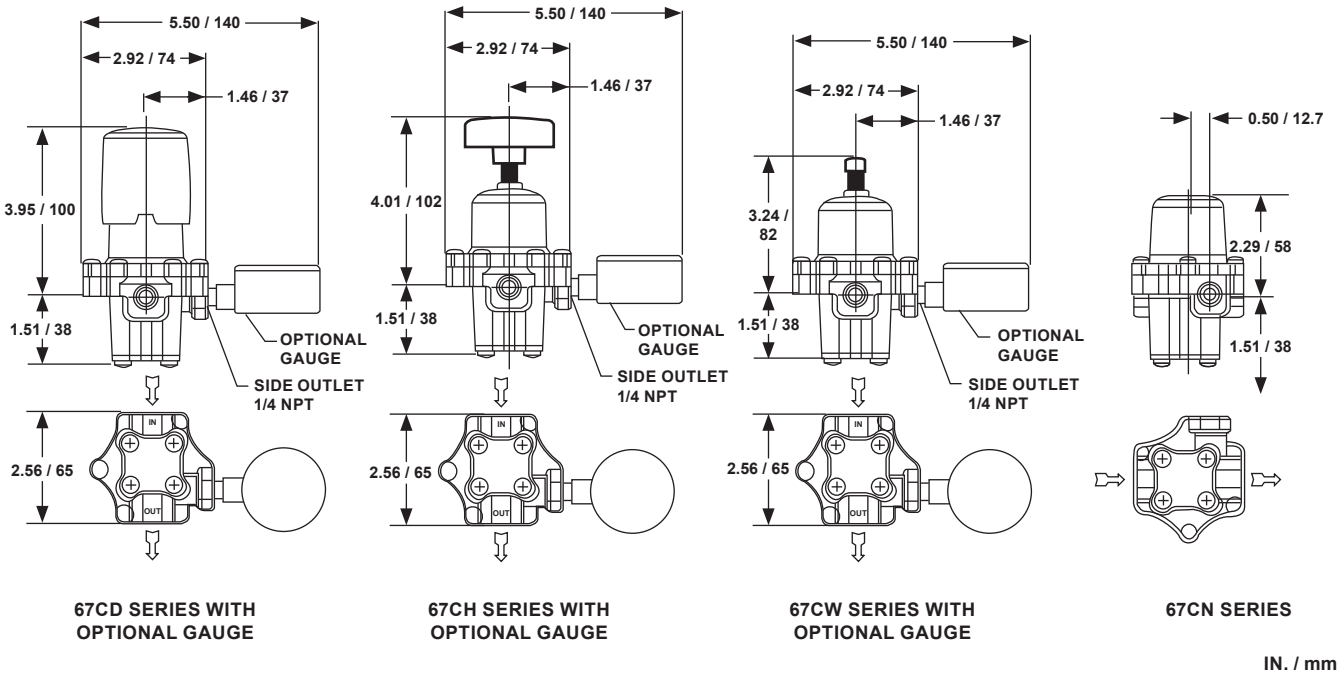



Figure 3. 67C Series Regulator Dimensions

67C Series

 Webadmin.Regulators@emerson.com

 Fisher.com

 Facebook.com/EmersonAutomationSolutions

 LinkedIn.com/company/emerson-automation-solutions

 Twitter.com/emr_automation

Emerson

Americas

McKinney, Texas 75070 USA
T +1 800 558 5853
+1 972 548 3574

Europe

Bologna 40013, Italy
T +39 051 419 0611

Asia Pacific

Singapore 128461, Singapore
T +65 6777 8211

Middle East and Africa

Dubai, United Arab Emirates
T +971 4 811 8100

D450130T012 © 2002, 2024 Emerson Process Management Regulator Technologies, Inc. All rights reserved. 04/24.

The Emerson logo is a trademark and service mark of Emerson Electric Co. All other marks are the property of their prospective owners. Fisher™ is a mark owned by Fisher Controls International LLC, a business of Emerson Automation Solutions.

The contents of this publication are presented for informational purposes only, and while every effort has been made to ensure their accuracy, they are not to be construed as warranties or guarantees, express or implied, regarding the products or services described herein or their use or applicability. All sales are governed by our terms and conditions, which are available upon request. We reserve the right to modify or improve the designs or specifications of such products at any time without notice.

Emerson Process Management Regulator Technologies, Inc. does not assume responsibility for the selection, use or maintenance of any product. Responsibility for proper selection, use and maintenance of any Emerson Process Management Regulator Technologies, Inc. product remains solely with the purchaser.

