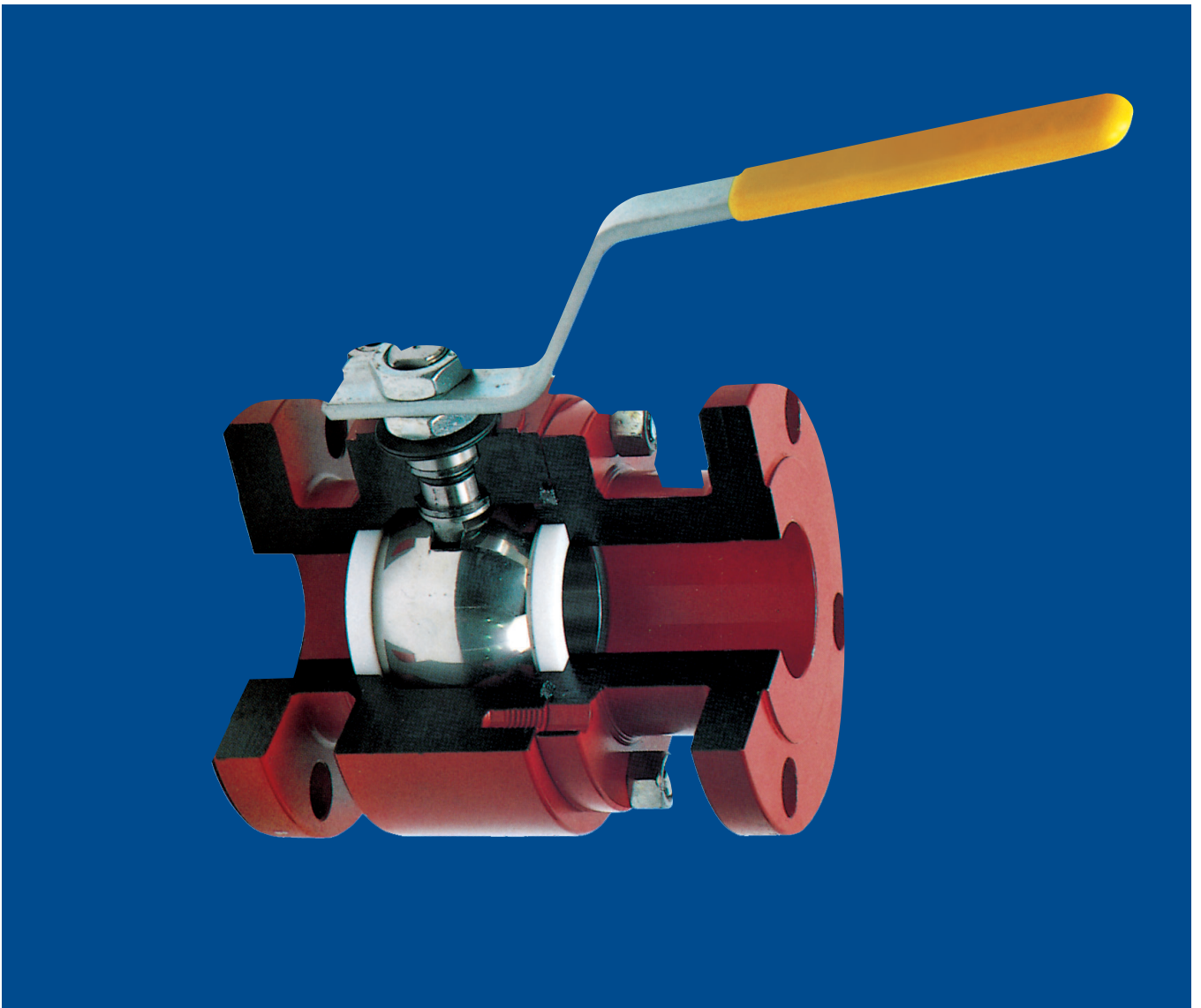


BALL VALVES

Types Floating and Trunnion



Types Floating and Trunnion Ball Valves

Ball Valves

Available in Floating and Trunnion types. These valves are full bore type and have been designed and manufactured for use in gas distribution and transport lines.

The main features are as follows:

- *Antistatic and fire-proof design*
- *High versatility for a wide range of different applications*

Technical Features

Floating Type

Full bore valve with cast steel body. Lever or gear operated.

Allowable pressure PS : up to 100 bar

Permissible inlet pressure Pe max : 100 bar

Flanged connections:

25 - 50 - 80 - 100 - 150

1" - 2" - 3" - 4" - 6"

Flange rating: CL 150, CL 300, CL 600

Temperature: Working -20 °C +60 °C

Trunnion Type

"Double Block and Bleed" full bore valve, with cast steel or forged body. Lever or gear operated.

Allowable pressure PS : up to 100 bar

Permissible inlet pressure Pe max : 100 bar

Flanged connections:

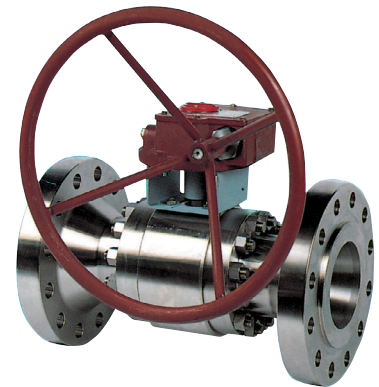
80 - 100 - 150 - 200 - 250 - 300 - 350 - 400 - 450 - 500 - 600

3" - 4" - 6" - 8" - 10" - 12" - 14" - 16" - 18" - 20" - 24"

Note: Up to DN 150 the valves are available only with forged steel body.

Flange rating: CL 150, CL 300, CL 600

Temperature: Working -20 °C +60 °C

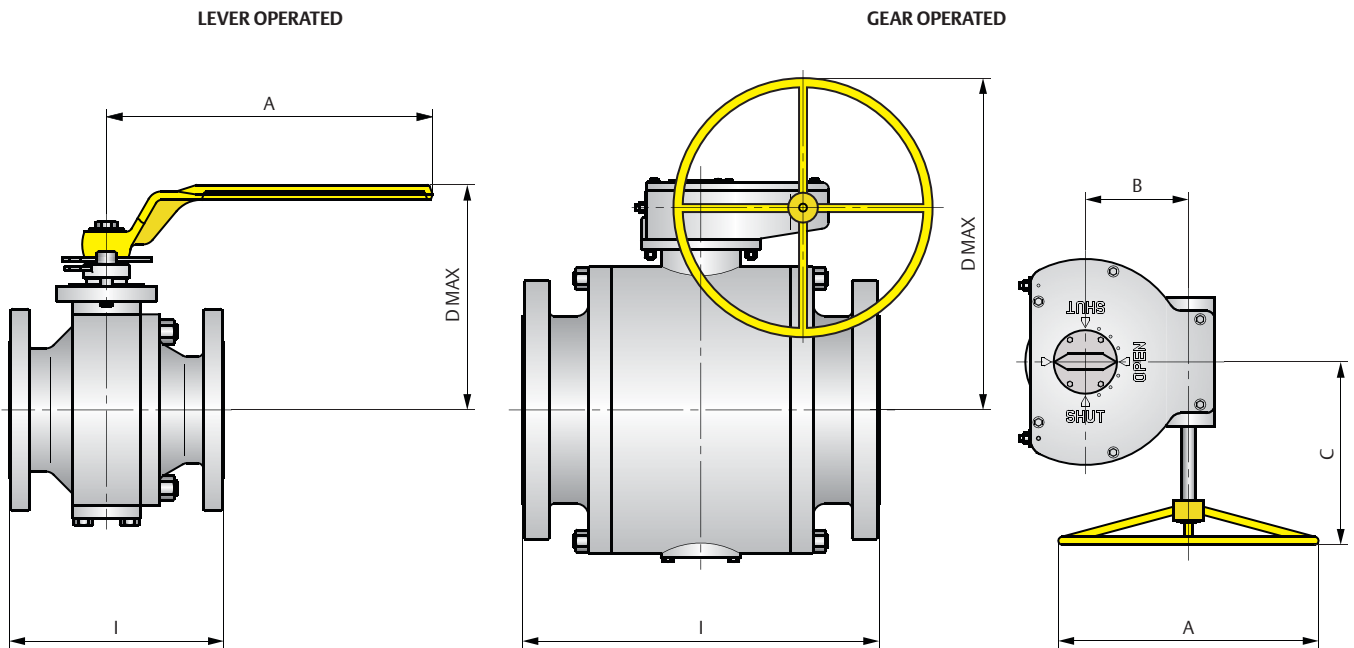


Applications Non-aggressive gases
Clean fluids

Materials Forged or cast steel body
Steel ball with nickel plating
PTFE gasket

Types Floating and Trunnion Ball Valves

Dimensions (mm)



“Floating” Type

DN	Operated by	CL 150					CL 300					CL 600					
		I	A	B	C	D MAX	I	A	B	C	D MAX	I	A	B	C	D MAX	
25	1"	Lever	127	200			150	165	200			150	216	200			150
50	2"	Lever	178	250			200	216	250			200	292	400			200
80	3"	Gear	203	320	72	180	384	283	320	72	180	384					
100	4"	Gear	229	320	72	180	438	305	320	72	180	438					
150	6"	Gear	394	400	91	218	563	403	400	91	218	563					

“Trunnion” Type

DN	Operated by	CL 150					CL 300					CL 600					
		I	A	B	C	D MAX	I	A	B	C	D MAX	I	A	B	C	D MAX	
80	3"	Gear	203	320	72	180	393	283	320	72	180	393	356	320	72	180	395
100	4"	Gear	229	320	72	180	438	305	320	72	180	438	432	320	72	180	453
150	6"	Gear	394	400	91	218	476	403	400	91	218	476	559	400	109	260	577
200	8"	Gear	457	400	109	260	620	502	400	109	260	620	660	400	109	260	651
250	10"	Gear	533	400	109	260	693	568	400	109	260	693	787	400	138	357	627
300	12"	Gear	610	400	138	357	660	648	400	138	357	660	838	400	138	357	697
350	14"	Gear	686	400	138	357	684	762	400	138	357	684	889	650	258	405	852
400	16"	Gear	762	400	138	357	744	838	400	138	357	744	991	650	258	405	920
450	18"	Gear	864	650	258	405	902	914	650	258	405	902	1092	800	150	505	1065
500	20"	Gear	914	650	258	405	960	991	650	258	405	960	1194	800	150	505	1142
600	24"	Gear	1067	800	150	505	1270	1143	800	150	505	1270	1397	800	180	555	1320

Weights (kg)

DN		"Floating" Type			"Trunnion" Type					
		CL 150	CL 300	CL 600	CL 150		CL 300		CL 600	
		Forged steel body			Forged steel body	Cast steel body	Forged steel body	Cast steel body	Forged steel body	Cast steel body
25	1"	6.5	7	10						
50	2"	12	15	18						
80	3"	25	40		25	22	33	30	65	55
100	4"	36	45		38	35	59	55	110	102
150	6"	75	115		78	74	125	118	245	232
200	8"				210	205	270	255	430	390
250	10"				340	322	390	370	760	710
300	12"				480	460	560	533	1010	960
350	14"				595	576	670	640	1850	1700
400	16"				890	864	1080	1030	2100	1970
450	18"				1350	1280	1610	1542	2980	2150
500	20"				1680	1600	2210	2100	3360	3250
600	24"				3650	3540	4435	4200	6000	5800

Industrial Regulators

Emerson Process Management Regulator Technologies, Inc.

USA - Headquarters

McKinney, Texas 75070 USA
Tel: +1 800 558 5853
Outside US: +1 972 548 3574

Europe

Bologna 40013, Italy
Tel: +39 051 419 0611

Asia-Pacific

Shanghai 201206, China
Tel: +86 21 2892 9000

Middle East and Africa

Dubai, United Arab Emirates
Tel: +971 4811 8100

Natural Gas Technologies

Emerson Process Management Regulator Technologies, Inc.

USA - Headquarters

McKinney, Texas 75070 USA
Tel: +1 800 558 5853
Outside US: +1 972 548 3574

Europe

Bologna 40013, Italy
Tel: +39 051 419 0611
Chartres 28008, France
Tel: +33 2 37 33 47 00

Asia-Pacific

Singapore 128461, Singapore
Tel: +65 6770 8337

Middle East and Africa

Dubai, United Arab Emirates
Tel: +971 4811 8100

LP-Gas Equipment

Emerson Process Management Regulator Technologies, Inc.

USA - Headquarters

McKinney, Texas 75070 USA
Tel: +1 800 558 5853
Outside US: +1 972 548 3574

TESCOM

Emerson Process Management Tescom Corporation

USA - Headquarters

Elk River, Minnesota 55330-2445 USA
Tel: +1 763 241 3238
+1 800 447 1250

Europe

Selmsdorf 23923, Germany
Tel: +49 38823 31 287

Asia-Pacific

Shanghai 201206, China
Tel: +86 21 2892 9499

For further information visit www.emersonprocess.com/regulators

Our Global Product Brands:



The Emerson logo is a trademark and service mark of Emerson Electric Co. All other marks are the property of their prospective owners. Fisher, Tartarini, Francel, Emerson Process Management and the Emerson Process Management design are marks of the Emerson Process Management group of companies.

The contents of this publication are presented for informational purposes only, and while every effort has been made to ensure their accuracy, they are not to be construed as warranties or guarantees, express or implied, regarding the products or services described herein or their use or applicability. We reserve the right to modify or improve the designs or specifications of such products at any time without notice.

Emerson Process Management does not assume responsibility for the selection, use or maintenance of any product. Responsibility for proper selection, use and maintenance of any Emerson Process Management product remains solely with the purchaser.

O.M.T. Officina Meccanica Tartarini S.R.L., Via P. Fabbri 1, I-40013 Castel Maggiore (Bologna), Italy
R.E.A 184221 BO Cod. Fisc. 00623720372 Part. IVA 00519501209 N° IVA CEE IT 00519501209, Cap. Soc. 1.548 000 Euro i.v. R.I. 00623720372 - M-BO 020330

Francel SAS, 3 Avenue Victor Hugo, CS 80125, Chartres 28008, France
SIRET 552 068 637 00057 APE 2651B, N° TVA : FR84552068637, RCS Chartres B 552 068 637, SAS capital 534 400 Euro

D104041X012 - 02/2015 - Rev.00©Emerson Process Management Regulator Technologies, Inc., 2015; All Rights Reserved

