

December 2019

Introduction

This datasheet provides specifications and parts list for the Type H823K relief valve. Refer to the H Series Instruction Manual, D450126T012, for information on how to properly install, maintain and test the Type H823K relief valve.

Product Description

Type H823K relief valves are used for a variety of compressed gases and pressurized liquids in mobile and stationary storage. The valves are typically installed in ASME tanks and Department of Transportation (DOT) cargo tanks (see Figure 1). Contact the factory regarding selection of compatible sealing materials. ASME setpoints and flow capacities are available and all units are provided with serial numbers.

Specifications

Body Size, Tank Connection: 2 NPT

Maximum Inlet Pressure (Body Rating)⁽¹⁾: 480 psig / 33.0 bar

Rain Cap and Installation Tool:

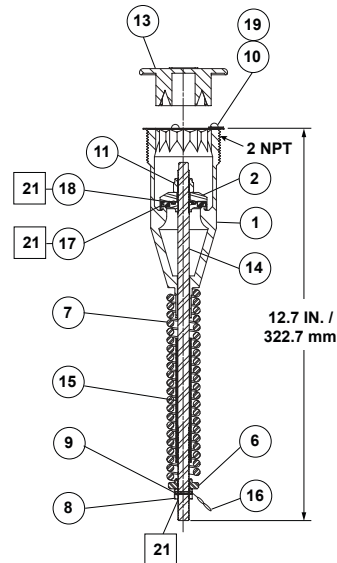
Type P297 Rain Cap,

Type P304 (1-1/2 in. / 38 mm Hex bar) Wrench

Start-to-discharge Pressure and Spring Range:

100 to 400 psig / 6.9 to 27.5 bar

Approximate Unit Weight: 2.75 lbs / 1 kg



21 Apply Dow Corning® 111 Lube and Sealant⁽¹⁾

1. Lubricants/Sealants must be selected such that they meet the temperature requirements.

Figure 1. Type H823K Relief Valve

Parts List

Key	Description	Material	Part Number
1	Body	ASME SA351 CF8	T21125T0012
2	Annealed Top Disc	ASME SA479 S30400	ERAA04794A0
6	Annealed Spring Seat	ASME SA479 S30400	T21131T0012
7	Spring		
	150 to 250 psi / 10.3 to 17.2 bar	ASTM A313 S30200	ERAA05180A0
	251 to 400 psi / 17.3 to 27.6 bar	ASTM A313 S30200	ERAA09024A0
8	Hex Nut	18-8 Stainless Steel	1A3465X0032
9	Passivated Roll Pin	S42000 AISI	1E954028992
10	Drive Screw	18-8 Stainless Steel	1A6767X0012
11	Lock Nut	Stainless Steel	1D5297X0022

Key	Description	Material	Part Number
13	Rain Cap	Ethylenepropylene (EPDM)	T40634T0012
14	Bottom Disc/Stem Weld Assembly	See 14-1 and 14-2	ERAA04810A0
14-1	Annealed Stem	ASME SA479 S30400	T21129T0012
14-2	Annealed Bottom Disc	ASME SA479 S30400	ERAA04793A0
15	Welded or Seamless Spring Tube	ASTM A269 S30400	T21132T0012
16	Seal and Wire	Lead Seal and 304 Stainless Steel Wire	1D884799012
17	Main Seal	DuPont™ Kalrez® 4079	ERAA04795A3
18	O-ring	DuPont™ Kalrez® 4079	ERAA04796A3
21	Lube and Sealant	Dow Corning® 111	1M528206992

Kalrez® is a mark owned by E. I. du Pont de Nemours and Co.

Dow Corning® is a mark owned by Dow Corning Corporation.

1. The pressure/temperature limits in this Datasheet and any applicable standard or code limitation should not be exceeded.

✉ Webadmin.Regulators@emerson.com

Facebook.com/EmersonAutomationSolutions

🔍 Fisher.com

LinkedIn.com/company/emerson-automation-solutions

Twitter.com/emr_automation

Emerson Automation Solutions

Americas

McKinney, Texas 75070 USA
T +1 800 558 5853
+1 972 548 3574

Asia Pacific

Singapore 128461, Singapore
T +65 6777 8211

Europe

Bologna 40013, Italy
T +39 051 419 0611

Middle East and Africa

Dubai, United Arab Emirates
T +971 4 811 8100

D450389T016 © 2019 Emerson Process Management Regulator Technologies, Inc. All rights reserved. 12/19.

The Emerson logo is a trademark and service mark of Emerson Electric Co. All other marks are the property of their prospective owners. Fisher™ is a mark owned by Fisher Controls International LLC, a business of Emerson Automation Solutions.

The contents of this publication are presented for informational purposes only, and while every effort has been made to ensure their accuracy, they are not to be construed as warranties or guarantees, express or implied, regarding the products or services described herein or their use or applicability. All sales are governed by our terms and conditions, which are available upon request. We reserve the right to modify or improve the designs or specifications of such products at any time without notice.

Emerson Process Management Regulator Technologies, Inc. does not assume responsibility for the selection, use or maintenance of any product. Responsibility for proper selection, use and maintenance of any Emerson Process Management Regulator Technologies, Inc. product remains solely with the purchaser.