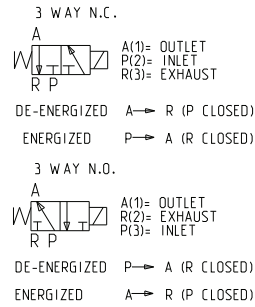
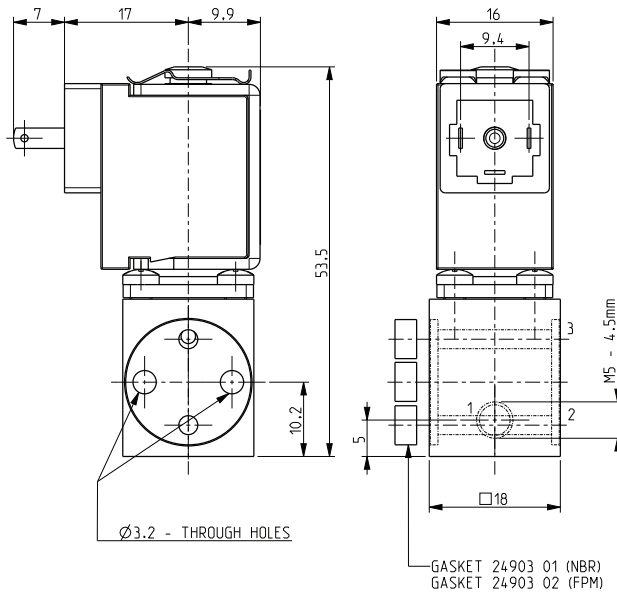


ASCO™ MICRO SOLENOID VALVE

3/2 NORMALLY OPEN – NORMALLY CLOSED - DIRECT ACTING - M5

SERIES
V366



General Features

- Direct acting micro solenoid valve.
- Minimum overall dimensions, quick response time and high number of cycles.
- Designed for mounting in banks: inlet and exhaust machined into body valve as two through holes so to get banks with common inlet, piped exhaust and single independent outlets.
- Seal gasket for coupling supplied with the valve.
- Inlet and closing group with relative gasket supplied separately.
- For further information see the mounting scheme K29684.
- Suitable to shut off liquid and gaseous fluids (verify the compatibility of fluid with materials in contact).

Technical Features	
Maximum allowable pressure (PS)	16 bar
Opening time	from ~ 5ms to ~ 10ms
Closing time	from ~ 5ms to ~ 10ms
Fluid temperature	-10°C +90°C (NBR) 0°C +90°C (FPM)
Max viscosity	3°E (22 cStokes or mm²/s)

Materials in Contact with Fluid	
Body	Brass
Sealing	NBR or FPM
Internal components	Brass, PEI (Polyetherimide) and stainless steel
Seat	Brass
Core tube	Brass

Coil		
Continuous Duty	ED 100%	
Encapsulation material	PA (Polyamide) fiberglass reinforced	
Insulation class	F (155°C)	
Ambient temperature	-10°C +60°C	
Electric connections	DIN 46340 with micro plug connector	
Protection degree	IP 65 (EN 60529) with micro plug connector	
Voltages	DC	12-24V (+10% -5%) (Other voltages on request)

Port size ISO UNI 4534	Orifice size (mm)	Δp min	Differential pressure (bar)				Kv (m³/h)	Series and type		Power absorption			Sealings	Notes	Weight (kg)
			Δp max					Valve	Coil	AC (VA)		DC (W)			
			Gases		Liquids					Inrush	Holding				
Outlet M5	1,2	0	-	6	-	6	0,04	V366B01B	ZE30A	-	-	4	NBR	NC/NO	0,090
	2		-	2,5	-	2,5		0,08							
								V366B01C							

Notes

- These micro-solenoid valves are not suitable for stagnating media subject to vaporization which deposit solid, calcareous, incrusting residues or similar.
- Sealings: NBR = Nitrile-butylene elastomer FPM = Fluoro-carbon elastomer.

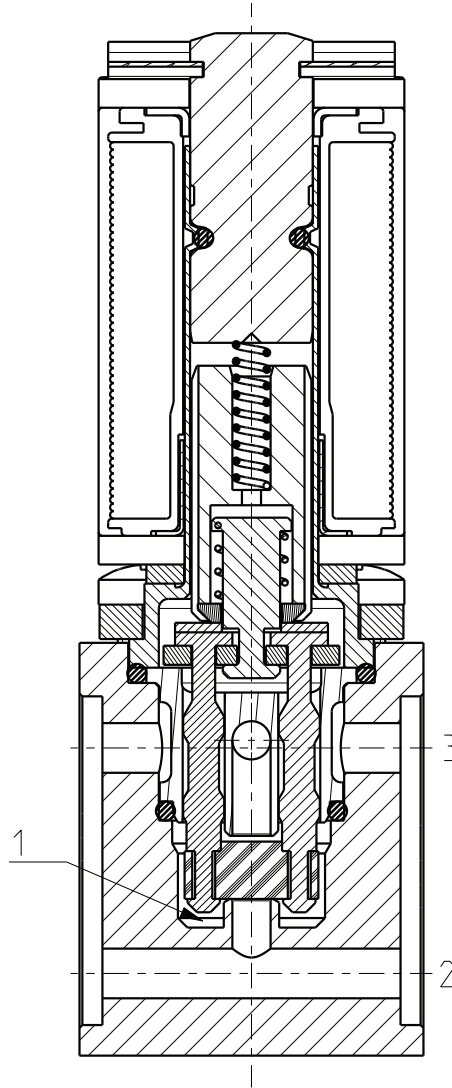
MOUNTING IN BANKS

SERIES
V366

ASCO™ MICRO SOLENOID VALVE

3/2 NORMALLY OPEN – NORMALLY CLOSED – DIRECT ACTING – M5

Sectional View



Installation

- Solenoid valve can be mounted in any position; vertical with coil upwards preferred.

THE VALIDITY OF REPORTED DATA IS REFERRED TO THE DATE OF ISSUE. POSSIBLE UPDATES ARE AVAILABLE ON REQUEST