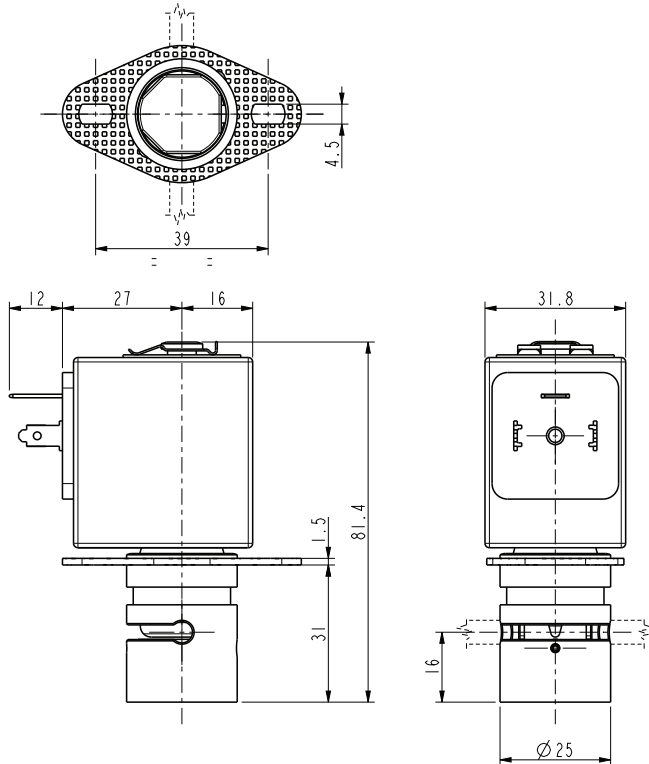


# ASCO™ PINCH SOLENOID VALVE

2/2 NORMALLY CLOSED - DIRECT ACTING

**SERIES**  
**S105-07-08**



## General Features

Pinch solenoid valve, suitable to shut off media without producing neither turbulent flows, nor dead spaces. High flow rate under the same conditions of internal diameter of different solenoid valves; the system allows a bi-directional through flow. The valves are suitable for soft SILICONE tubings or others, similar as to elasticity and hardness (50 shore A). Silent model.

### The tubing is the only material in contact with the fluid.

The tubings are not included in our supply.

Materials	
Body	Anodized aluminium
Pinching device	POM (reinforced acetal copolymer)
Internal components	Stainless steel
Guide assembly	Chemically nickel plated brass (Ni-P).

Coil	
Continuous Duty	ED 100%
Encapsulation material	PET (polyethylene terephthalate) fiberglass reinforced
Insulation class	F (140°C)
Ambient temperature	-10°C +60°C
Electric connections	DIN 46340 - 3 poles connectors (EN175301-803)
Protection degree	IP 65 (DIN 40050) with connectors
Voltages	DC 12-24V (+10% -5%) (Other voltages on request)

## Installation

- Solenoid valve can be mounted in any position.

TUBINGS		Pinching strength (kg)	Series and type		Power absorption (W)	Notes	Weight (kg)
I.D. (mm)	O.D. (mm)		Valve	Coil			
1,5	3,9	0,650	S105-08	Z530A	9	1	0,270
2,5	4,1		S105-07			2	

## Notes

- Special silenced model
  - Tubing slot 2,4mm – Tubing seat Ø 4,2 mm.
- In case the tubing is not placed in its seat, the solenoid valve could operate incorrectly.