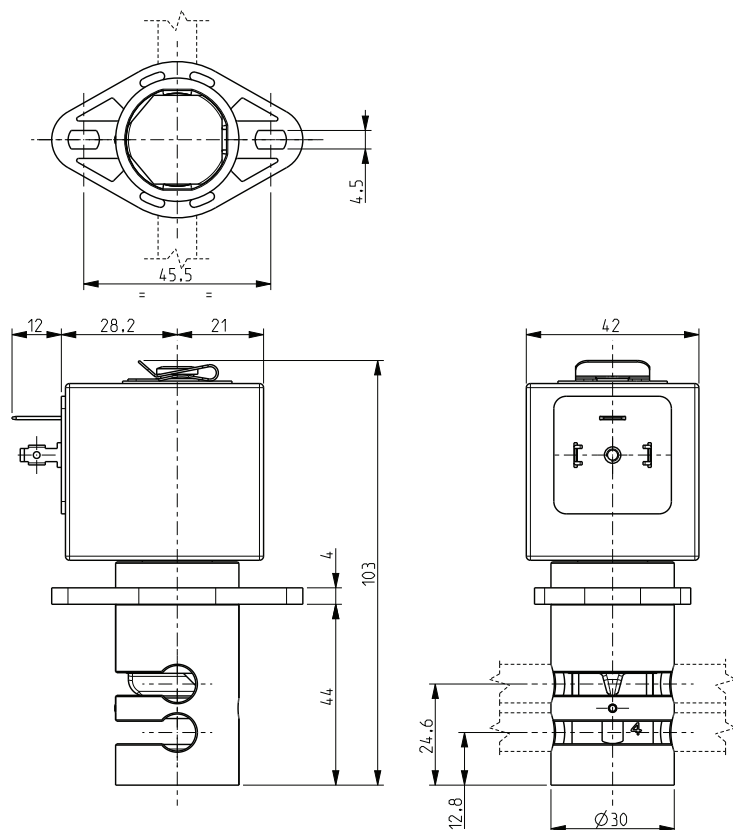


ASCO™ PINCH SOLENOID VALVE

3/2 NORMALLY CLOSED - NORMALLY OPEN

SERIES
S326



General Features

Pinch solenoid valve, suitable to shut off media without producing neither turbulent flows nor dead spaces.

One tubing is normally closed (NC) while the other one is normally open (NO).

High flow rate under the same conditions of internal diameter of different solenoid valves; the system allows a bi-directional through flow.

The valves are suitable for soft SILICONE tubings or others, similar as to elasticity and hardness (50 shore A).

The tubing is the only material in contact with the fluid.

The tubings are not included in our supply.

Materials	
Body	PA (Polyamide)
Pinching device	POM (reinforced acetal copolymer)
Internal components	Stainless steel
Core tube	Stainless steel

Installation

- Solenoid valve can be mounted in any position.
- Swivel bracket every 45°.

Coil	
Continuous Duty	ED 100%
Encapsulation material	PET (polybutylene terephthalate) fiberglass reinforced
Insulation class	F (140°C)
Ambient temperature	-10°C +60°C
Electric connections	DIN 46340 - 3 poles plug-connectors (EN175301-803)
Protection degree	IP 65 (DIN 40050) with plug-connectors
Voltages	DC
	12-24V (+10% -5%) (Other voltages on request)

TUBINGS		Pinching strength (kg)	Series and type		Power absorption (W)	Notes	Weight (kg)
I.D. (mm)	O.D. (mm)		Valve	Coil			
4,8	7,9	0,850	S326-02	Z130A	13	-	0,425
6,4	9,5	1,100	S326-01				

Notes

- In case the tubing is not placed in its seat, the solenoid valve could operate incorrectly.