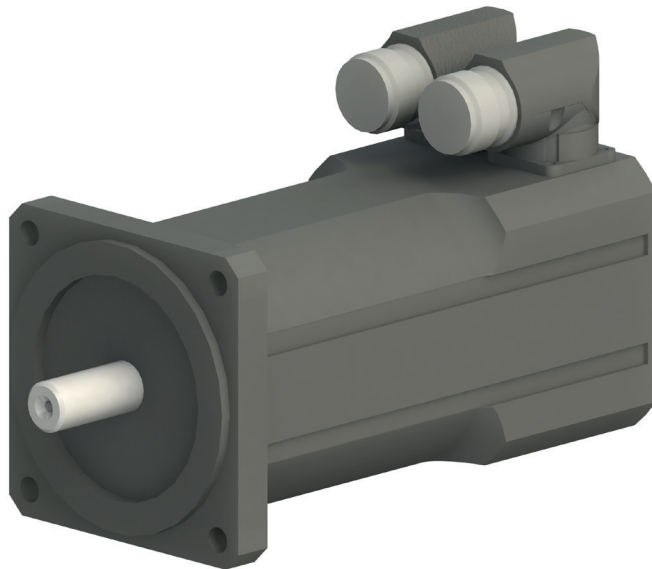


Servomotors



Servomotor		SA-1	SA-3	SA-6	PEZ-52	PEZ-65 PDZ-128	PEZ-80 PDZ-160	PEZ-100 PDZ-200
11-72VDC-060W-60-B-I-x-x	50485433	x						
11-72VDC-060W-60-x-I-x-x	50495876	x						
11-72VDC-120W-60-B-I-x-x	50485434		x					
11-72VDC-120W-60-x-I-x-x	50495877		x					
11-320VDC-060W-60-B-R-x-x	50495879	x						
11-320VDC-060W-60-x-R-x-x	50495878	x						
11-320VDC-120W-60-B-R-x-x	50495881		x					
11-320VDC-120W-60-x-R-x-x	50495880		x					
21-72VDC-400W-45-B-I-x-x	50485435			x	x	x		
21-72VDC-400W-45-x-I-x-x	50495882			x	x	x		
21-320VDC-400W-45-B-R-x-x	50495884			x	x	x		
21-320VDC-400W-45-x-R-x-x	50495883			x	x	x		
31-320VDC-950W-45-B-R-x-x	50503160					x	x	
31-320VDC-950W-45-x-R-x-x	50503156					x	x	
31-560VDC-950W-45-B-I-x-x	50485436					x	x	
31-560VDC-950W-45-x-I-x-x	50495885					x	x	
31-560VDC-950W-45-B-R-x-x	50495887					x	x	
31-560VDC-950W-45-x-R-x-x	50495886					x	x	
41-560VDC-2.8kW-45-B-I-x-x	50485437						x	x
41-560VDC-2.8kW-45-x-I-x-x	50495888						x	x
41-560VDC-2.8kW-45-B-R-x-x	50495890						x	x
41-560VDC-2.8kW-45-x-R-x-x	50495889						x	x
51-560VDC-5.0kW-45-B-I-x-x	50485438							x
51-560VDC-5.0kW-45-x-I-x-x	50495891							x
51-560VDC-5.0kW-45-B-R-x-x	50495893							x
51-560VDC-5.0kW-45-x-R-x-x	50495892							x

Nomenclature servomotor:

2-320VDC-400W-45-B-R-x-x

21: Motor size

400W: Power

45: Rotational speed 100/min

B: Brake (B: yes, x: no)

R: Encoder system

(R: Resolver, I: Incremental)

Servomotors 11

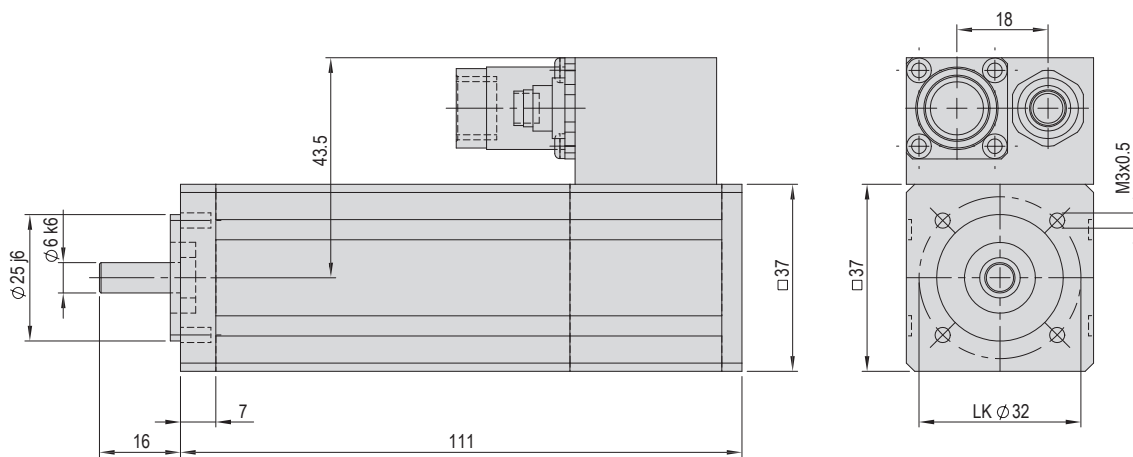
Servomotor-11-72VDC-60W-60-B-I-x-x

with brake

Order number

50485433

Net weight	0.5 kg
Peak torque	0.4 Nm
Nominal torque	0.09 Nm
Standstill torque	0.1 Nm
Torque of inertia	0.035 kgcm ²
Nominal current	1.27 A
Maximum current	5.6 A
Nominal speed	6000 rpm



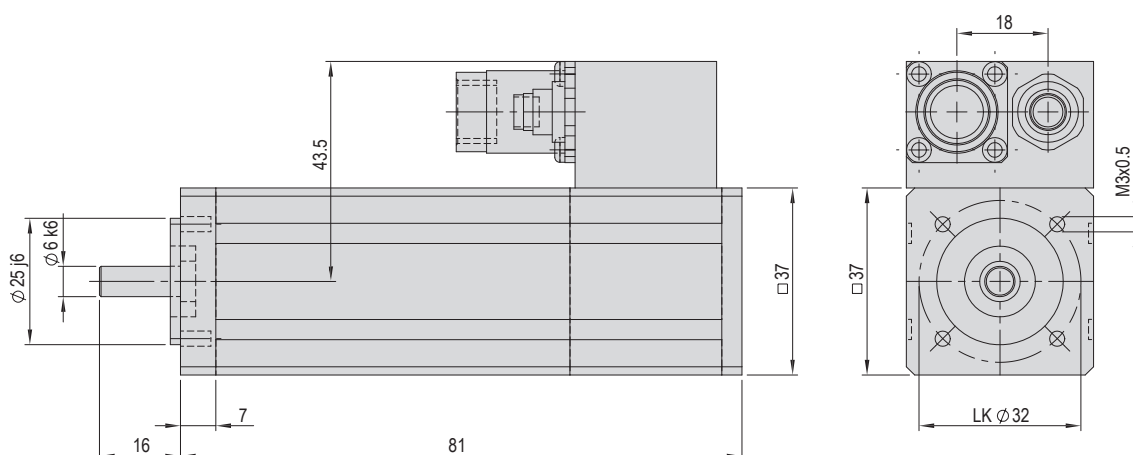
Servomotor-11-72VDC-060W-60-x-I-x-x

without brake

Order number

50495876

Net weight	0.4 kg
Peak torque	0.4 Nm
Nominal torque	0.09 Nm
Standstill torque	0.1 Nm
Torque of inertia	0.02 kgcm ²
Nominal current	1.27 A
Maximum current	5.6 A
Nominal speed	6000 rpm



Servomotors 11

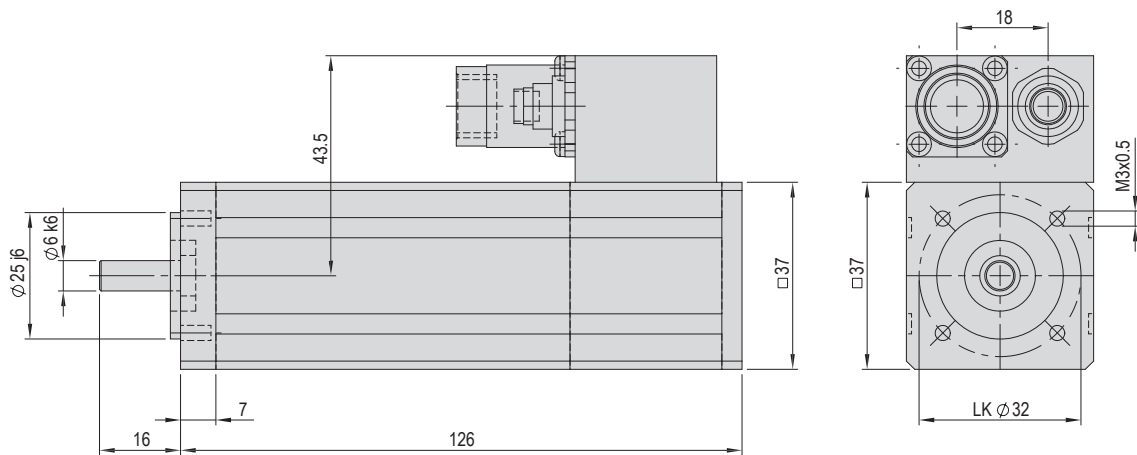
Servomotor-11-72VDC-120W-60-B-I-x-x

with brake

Order number

50485434

Net weight	0.6 kg
Peak torque	0.8 Nm
Nominal torque	0.18 Nm
Standstill torque	0.2 Nm
Torque of inertia	0.075 kgcm ²
Nominal current	2.2 A
Maximum current	9.8 A
Nominal speed	6000 rpm



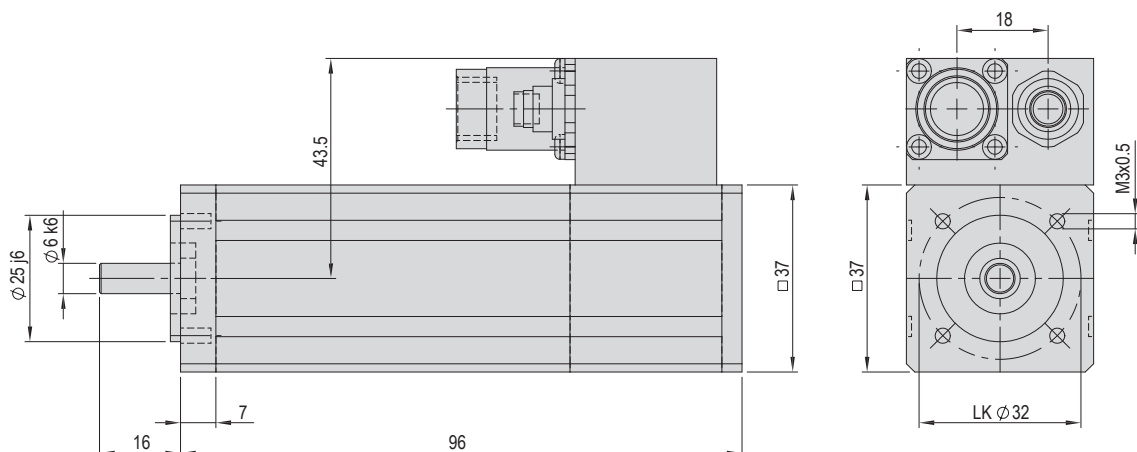
Servomotor-11-72VDC-120W-60-x-I-x-x

without brake

Order number

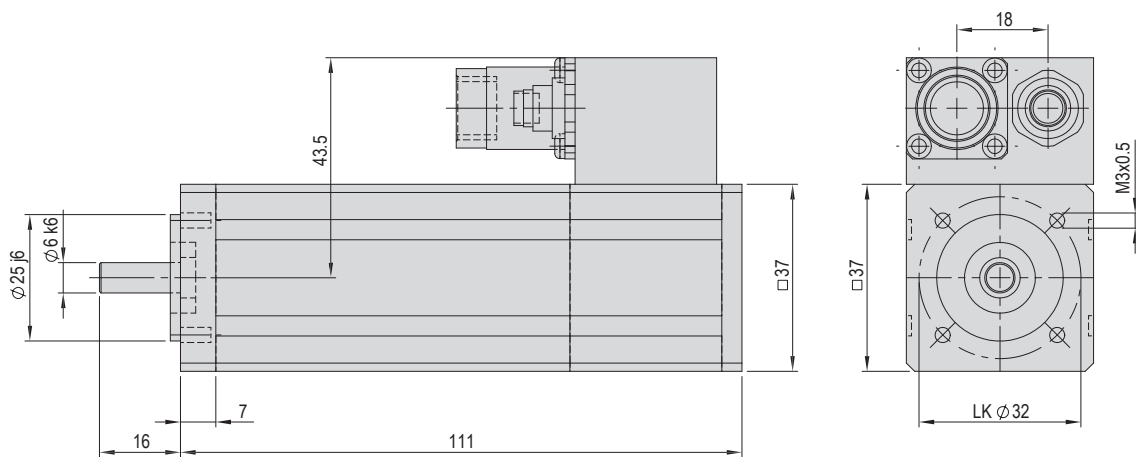
50495877

Net weight	0.5 kg
Peak torque	0.8 Nm
Nominal torque	0.18 Nm
Standstill torque	0.2 Nm
Torque of inertia	0.06 kgcm ²
Nominal current	2.2 A
Maximum current	9.8 A
Nominal speed	6000 rpm

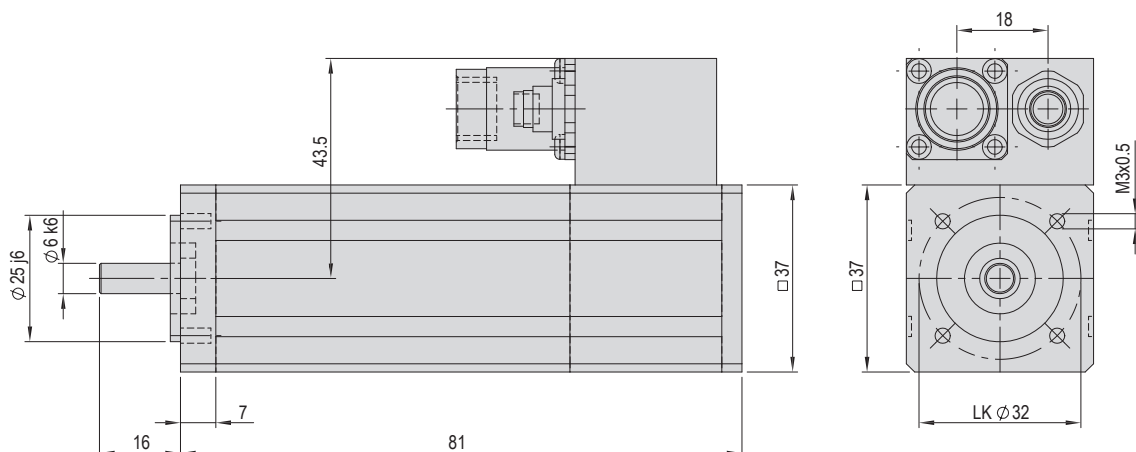


Servomotors 11

Servomotor-11-320VDC-060W-60-B-R-x-x		with brake
Order number	50495879	
Net weight	0.5 kg	
Peak torque	0.4 Nm	
Nominal torque	0.09 Nm	
Standstill torque	0.1 Nm	
Torque of inertia	0.035 kgcm ²	
Nominal current	0.52 A	
Maximum current	2.3 A	
Nominal speed	6000 rpm	



Servomotor-11-320VDC-060W-60-x-R-x-x		without brake
Order number	50495878	
Net weight	0.4 kg	
Peak torque	0.4 Nm	
Nominal torque	0.09 Nm	
Standstill torque	0.1 Nm	
Torque of inertia	0.02 kgcm ²	
Nominal current	0.52 A	
Maximum current	2.3 A	
Nominal speed	6000 rpm	



Servomotors 11

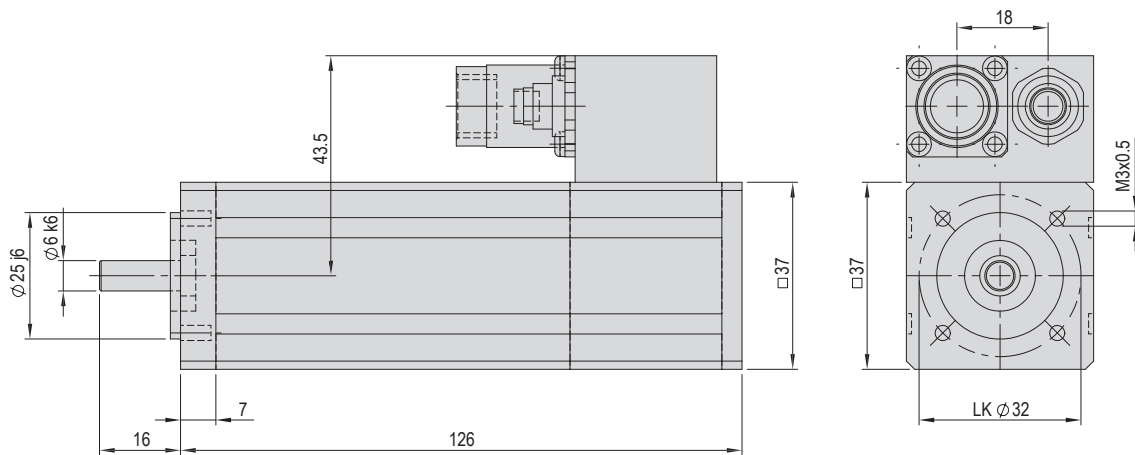
Servomotor-11-320VDC-120W-60-B-R-x-x

with brake

Order number

50495881

Net weight	0.6 kg
Peak torque	0.8 Nm
Nominal torque	0.18 Nm
Standstill torque	0.2 Nm
Torque of inertia	0.075 kgcm ²
Nominal current	0.86 A
Maximum current	3.9 A
Nominal speed	6000 rpm



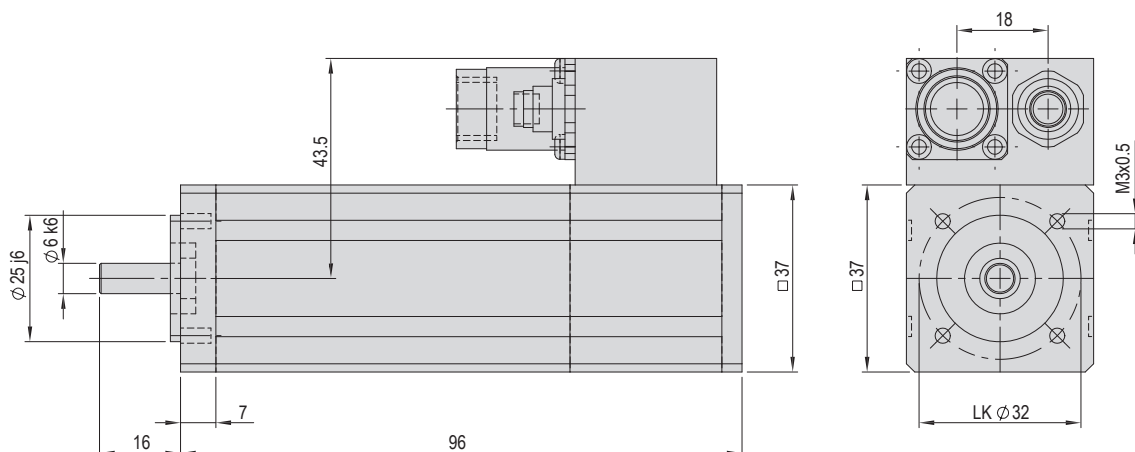
Servomotor-11-320VDC-120W-60-x-R-x-x

without brake

Order number

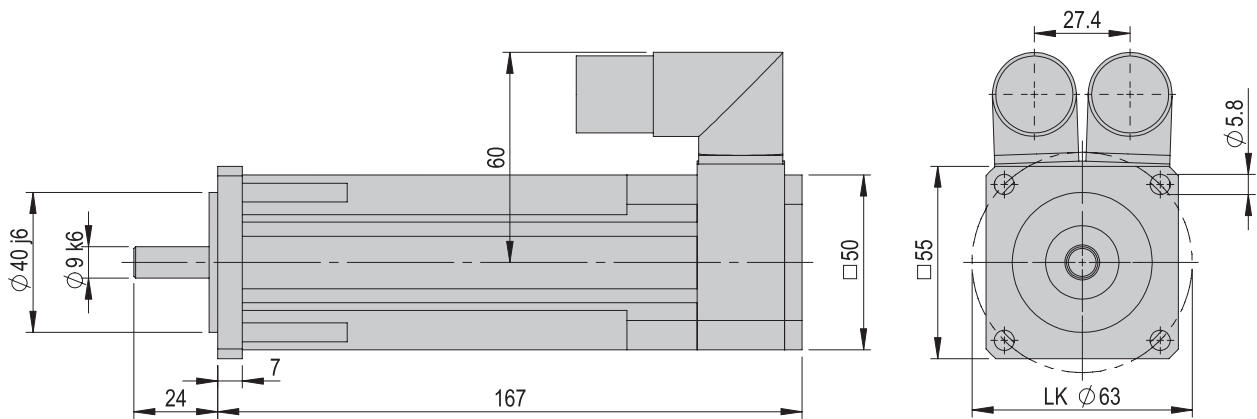
50495880

Net weight	0.5 kg
Peak torque	0.8 Nm
Nominal torque	0.18 Nm
Standstill torque	0.2 Nm
Torque of inertia	0.06 kgcm ²
Nominal current	0.86 A
Maximum current	3.9 A
Nominal speed	6000 rpm

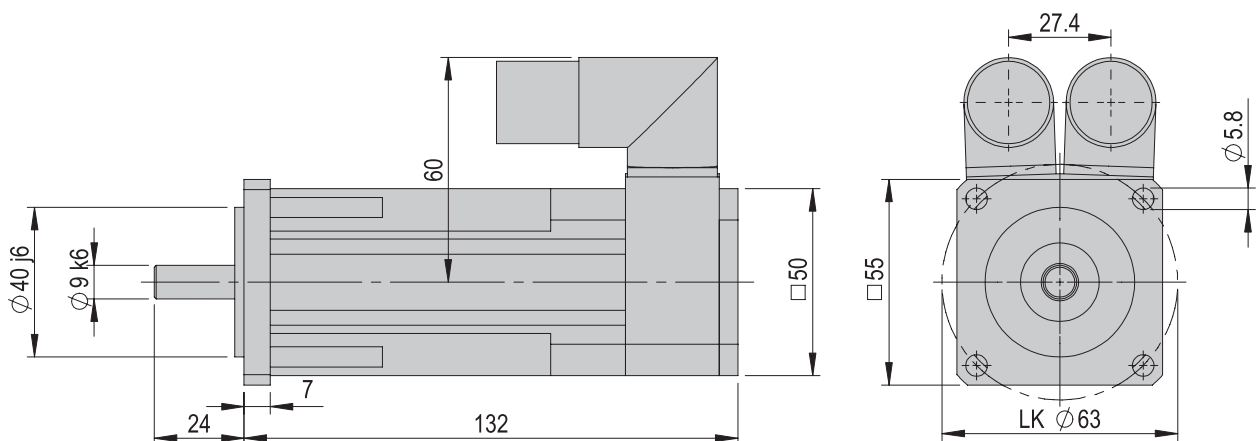


Servomotors 21

Servomotor-21-72VDC-400W-45-B-I-x-x		with brake
Order number		50485435
Net weight		1.6 kg
Peak torque		3.8 Nm
Nominal torque		0.85 Nm
Standstill torque		0.95 Nm
Torque of inertia		0.19 kgcm ²
Nominal current		6.5 A
Maximum current		32 A
Nominal speed		4500 rpm



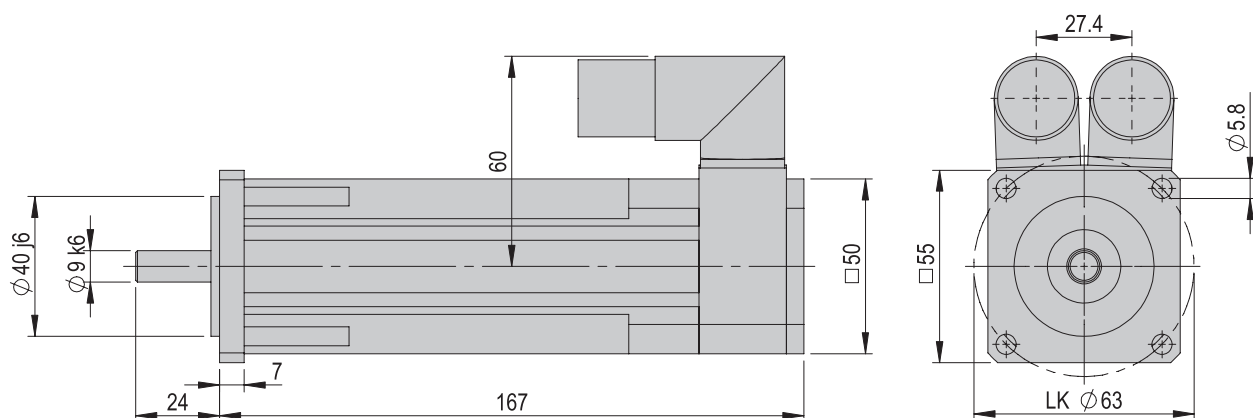
Servomotor-21-72VDC-400W-45-x-I-x-x		without brake
Order number		50495882
Net weight		1.2 kg
Peak torque		3.8 Nm
Nominal torque		0.85 Nm
Standstill torque		0.95 Nm
Torque of inertia		0.11 kgcm ²
Nominal current		6.5 A
Maximum current		32 A
Nominal speed		4500 rpm



Servomotors 21

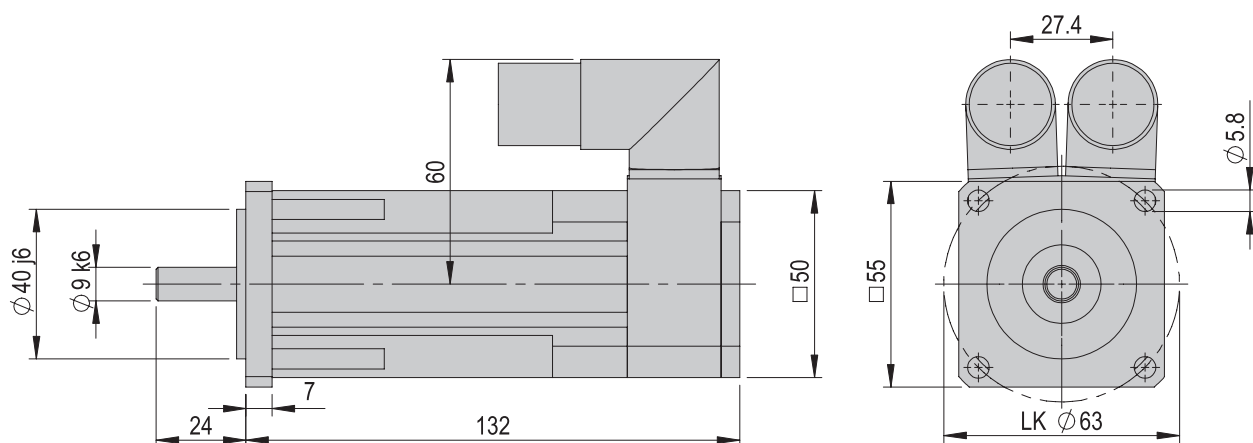
Servomotor-21-320VDC-400W-45-B-R-x-x with brake

Order number	50495884
Net weight	1.6 kg
Peak torque	3.8 Nm
Nominal torque	0.85 Nm
Standstill torque	0.95 Nm
Torque of inertia	0.19 kgcm ²
Nominal current	1.7 A
Maximum current	8.4 A
Nominal speed	4500 rpm



Servomotor-21-320VDC-400W-45-x-R-x-x without brake

Order number	50495883
Net weight	1.2 kg
Peak torque	3.8 Nm
Nominal torque	0.85 Nm
Standstill torque	0.95 Nm
Torque of inertia	0.11 kgcm ²
Nominal current	1.7 A
Maximum current	8.4 A
Nominal speed	4500 rpm

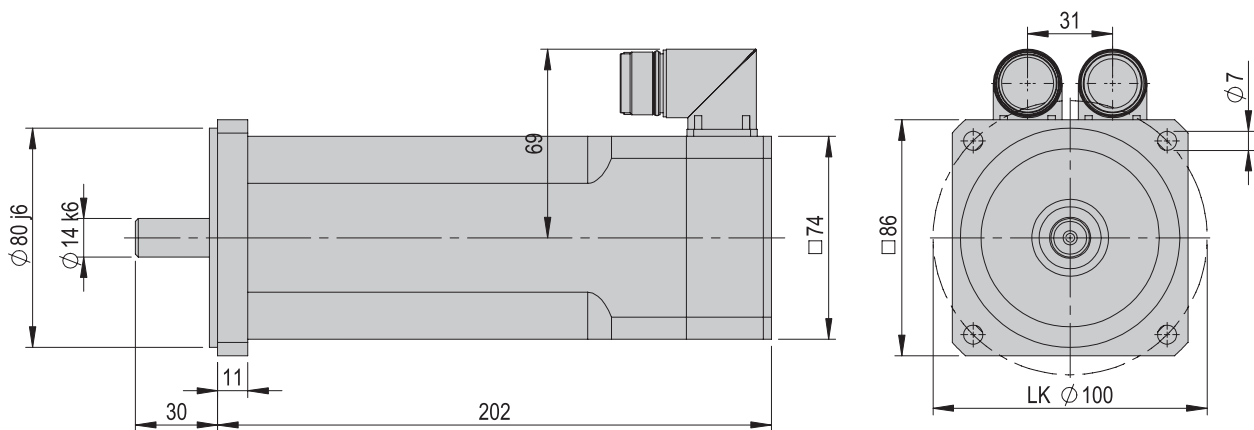


Servomotors 31

Servomotor-31-320VDC-950W-45-B-R-x-x

with brake

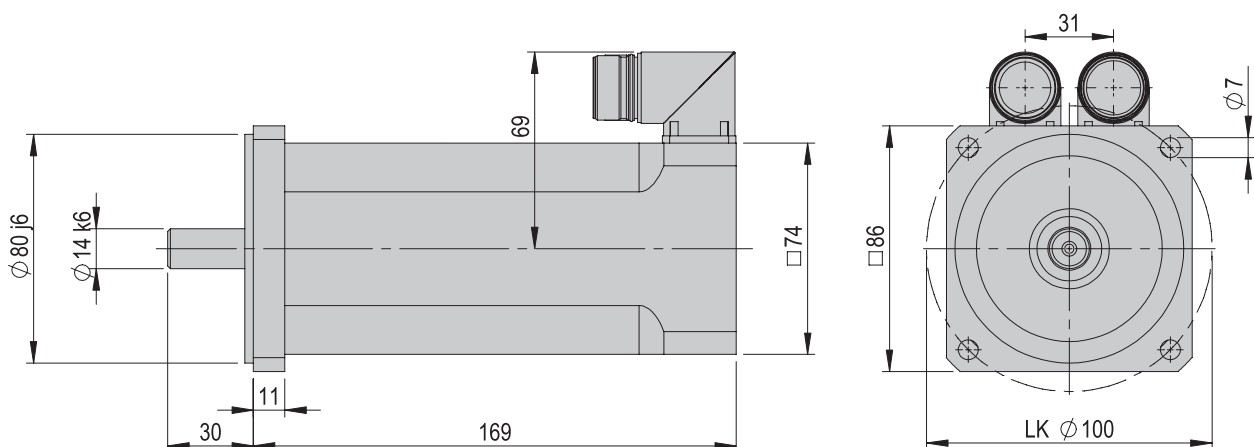
Order number	50503160
Net weight	3.5 kg
Peak torque	10.5 Nm
Nominal torque	2.8 Nm
Standstill torque	3.5 Nm
Torque of inertia	1.24 kgcm ²
Nominal current	6.1 A
Maximum current	28 A
Nominal speed	4500 rpm



Servomotor-31-320VDC-950W-45-x-R-x-x

without brake

Order number	50503156
Net weight	3 kg
Peak torque	10.5 Nm
Nominal torque	2.8 Nm
Standstill torque	3.5 Nm
Torque of inertia	1.04 kgcm ²
Nominal current	6.1 A
Maximum current	28 A
Nominal speed	4500 rpm

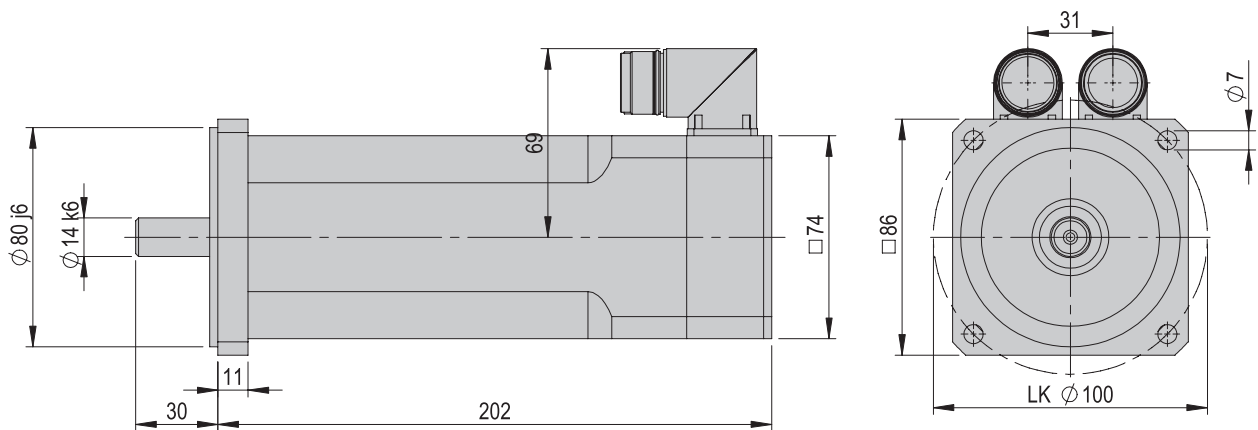


Servomotors 31

Servomotor-31-560VDC-950W-45-B-I-x-x

with brake

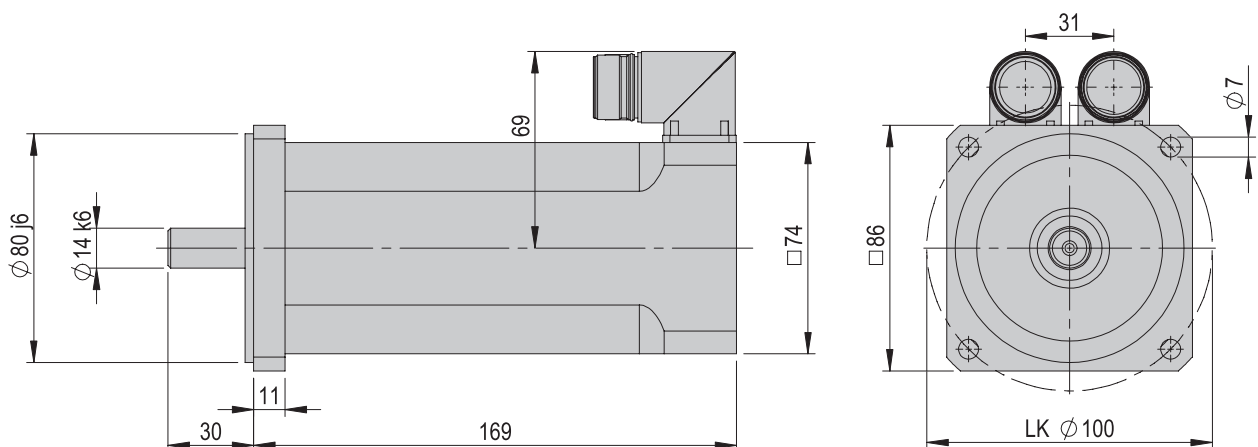
Order number	50485436
Net weight	3.5 kg
Peak torque	10.5 Nm
Nominal torque	2.8 Nm
Standstill torque	3.5 Nm
Torque of inertia	1.24 kgcm ²
Nominal current	3 A
Maximum current	10.9 A
Nominal speed	4500 rpm



Servomotor-31-560VDC-950W-45-x-I-x-x

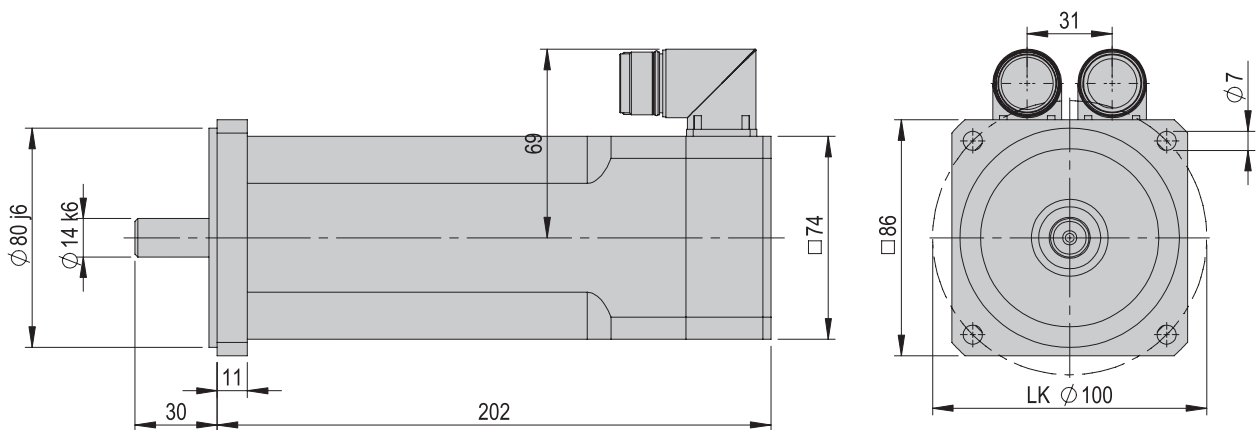
without brake

Order number	50495885
Net weight	3 kg
Peak torque	10.5 Nm
Nominal torque	2.8 Nm
Standstill torque	3.5 Nm
Torque of inertia	1.04 kgcm ²
Nominal current	3 A
Maximum current	10.9 A
Nominal speed	4500 rpm

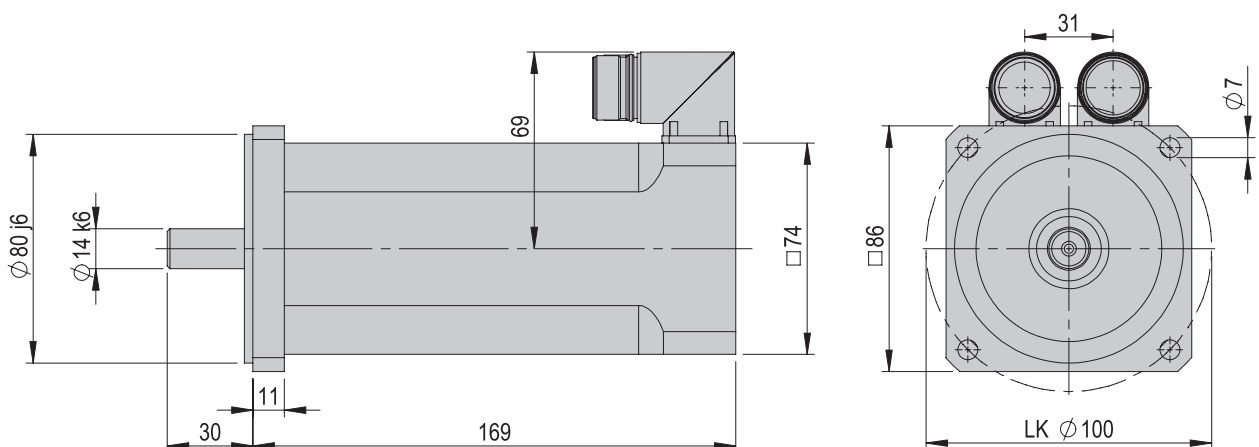


Servomotors 31

Servomotor-31-560VDC-950W-45-B-R-x-x		with brake
Order number		50495887
Net weight		3.5 kg
Peak torque		10.5 Nm
Nominal torque		2.8 Nm
Standstill torque		3.5 Nm
Torque of inertia		1.24 kgcm ²
Nominal current		3 A
Maximum current		10.9 A
Nominal speed		4500 rpm



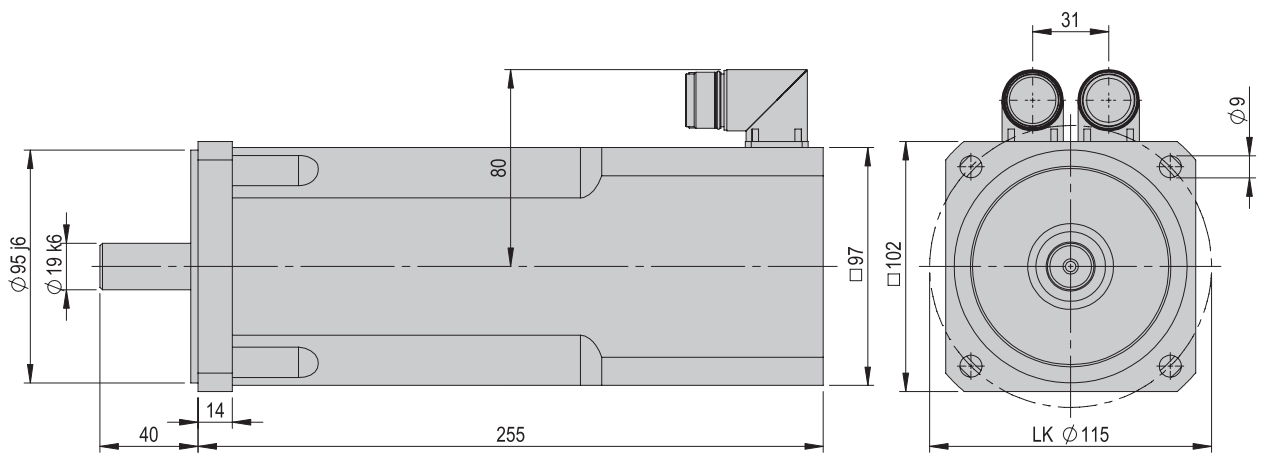
Servomotor-31-560VDC-950W-45-x-R-x-x		without brake
Order number		50495886
Net weight		3 kg
Peak torque		10.5 Nm
Nominal torque		2.8 Nm
Standstill torque		3.5 Nm
Torque of inertia		1.04 kgcm ²
Nominal current		3 A
Maximum current		10.9 A
Nominal speed		4500 rpm



Servomotors 41

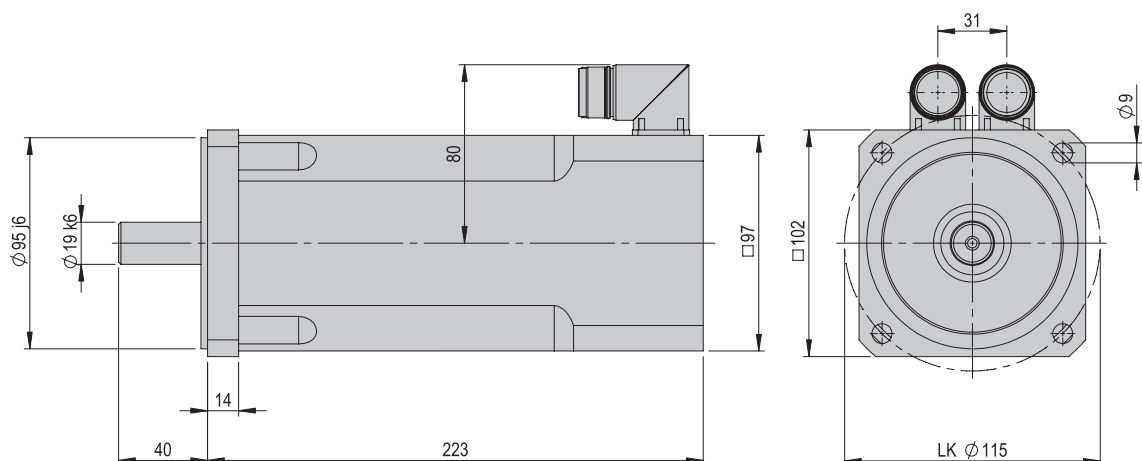
Servomotor-41-560VDC-2.8kW-45-B-I-x-x with brake

Order number	50485437
Net weight	9 kg
Peak torque	34 Nm
Nominal torque	7.2 Nm
Standstill torque	11.3 Nm
Torque of inertia	6.3 kgcm ²
Nominal current	8.4 A
Maximum current	35 A
Nominal speed	4500 rpm



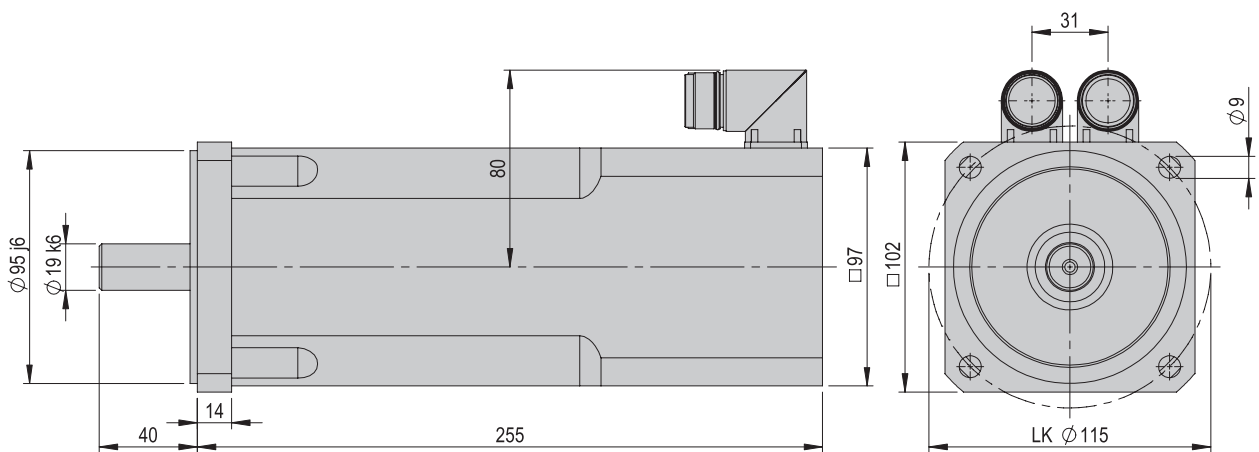
Servomotor-41-560VDC-2.8kW-45-x-I-x-x without brake

Order number	50495888
Net weight	7.2 kg
Peak torque	34 Nm
Nominal torque	7.2 Nm
Standstill torque	11.3 Nm
Torque of inertia	5.7 kgcm ²
Nominal current	8.4 A
Maximum current	35 A
Nominal speed	4500 rpm

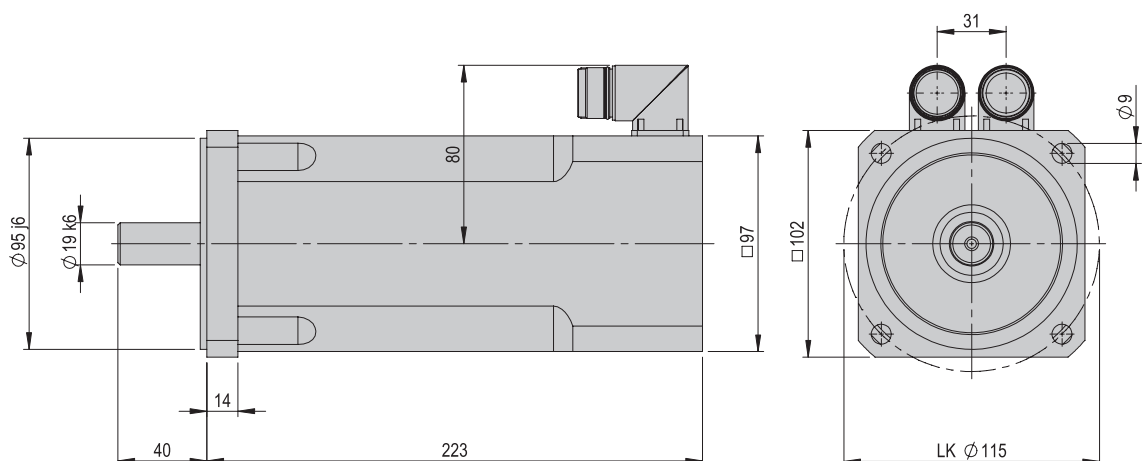


Servomotors 41

Servomotor-41-560VDC-2.8kW-45-B-R-x-x		with brake
Order number		50495890
Net weight		9 kg
Peak torque		34 Nm
Nominal torque		7.2 Nm
Standstill torque		11.3 Nm
Torque of inertia		6.3 kgcm ²
Nominal current		8.4 A
Maximum current		35 A
Nominal speed		4500 rpm

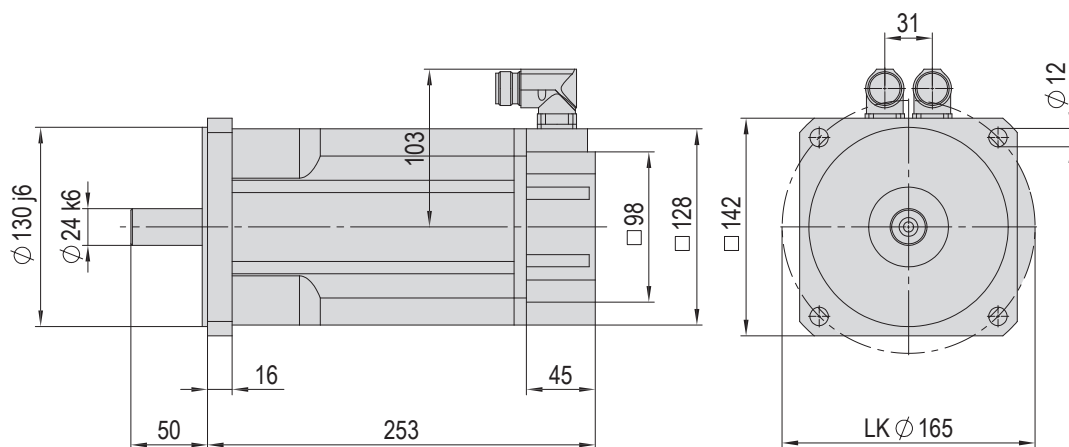


Servomotor-41-560VDC-2.8kW-45-x-R-x-x		without brake
Order number		50495889
Net weight		7.2 kg
Peak torque		34 Nm
Nominal torque		7.2 Nm
Standstill torque		11.3 Nm
Torque of inertia		5.7 kgcm ²
Nominal current		8.4 A
Maximum current		35 A
Nominal speed		4500 rpm

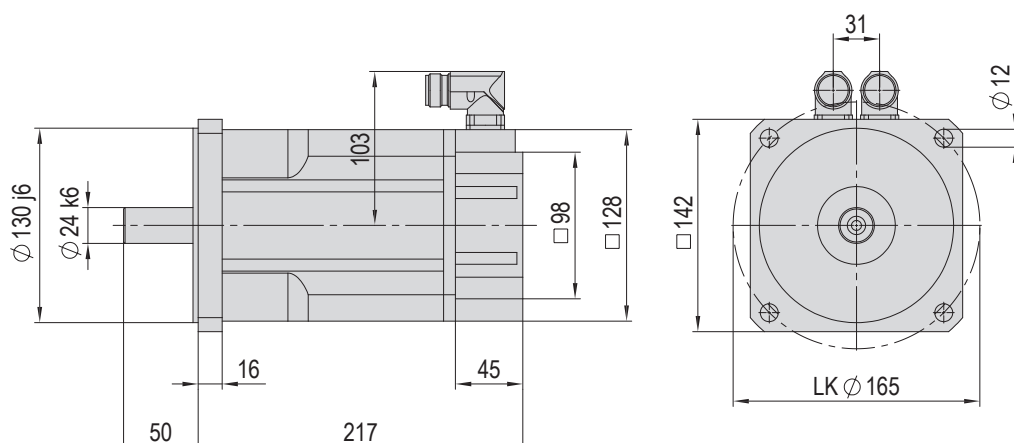


Servomotors 51

Servomotor-51-560VDC-5.0kW-45-B-I-x-x		with brake
Order number		50485438
Net weight		13.7 kg
Peak torque		60 Nm
Nominal torque		12.9 Nm
Standstill torque		20 Nm
Torque of inertia		17.1 kgcm ²
Nominal current		14.3 A
Maximum current		55 A
Nominal speed		4500 rpm

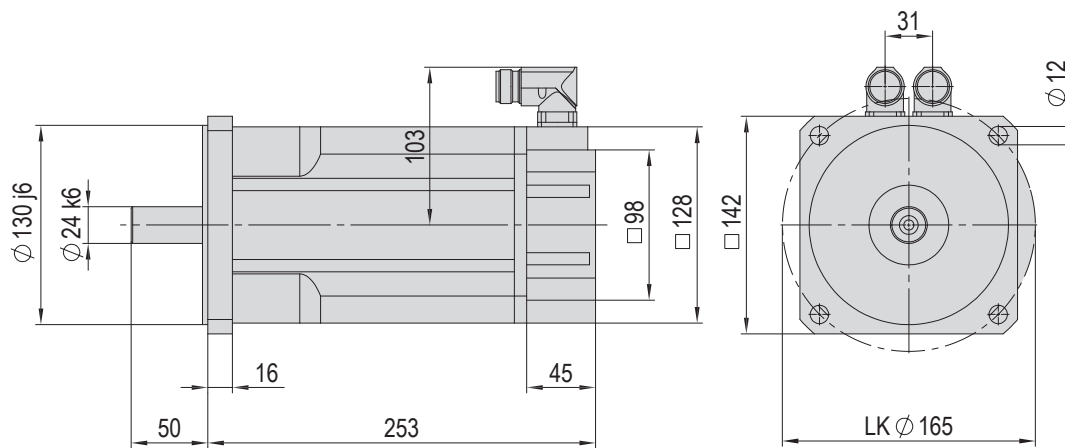


Servomotor-51-560VDC-5.0kW-45-x-I-x-x		without brake
Order number		50495891
Net weight		12.6 kg
Peak torque		60 Nm
Nominal torque		12.9 Nm
Standstill torque		20 Nm
Torque of inertia		15.1 kgcm ²
Nominal current		14.3 A
Maximum current		55 A
Nominal speed		4500 rpm



Servomotors 51

Servomotor-51-560VDC-5.0kW-45-B-R-x-x		with brake
Order number		50495893
Net weight		13.7 kg
Peak torque		60 Nm
Nominal torque		12.9 Nm
Standstill torque		20 Nm
Torque of inertia		17.1 kgcm ²
Nominal current		14.3 A
Maximum current		55 A
Nominal speed		4500 rpm



Servomotor-51-560VDC-5.0kW-45-x-R-x-x		without brake
Order number		50495892
Net weight		12.6 kg
Peak torque		60 Nm
Nominal torque		12.9 Nm
Standstill torque		20 Nm
Torque of inertia		15.1 kgcm ²
Nominal current		14.3 A
Maximum current		55 A
Nominal speed		4500 rpm

