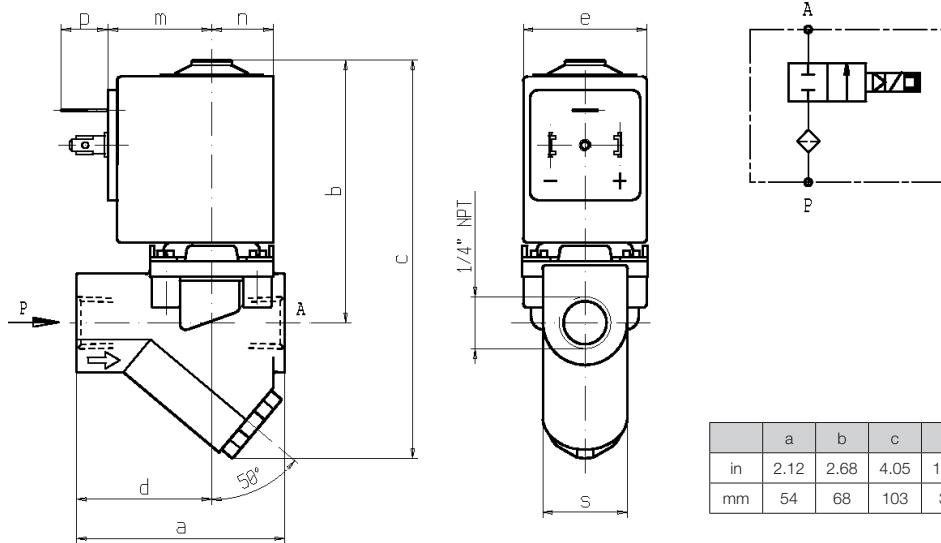


ASCO™ SOLENOID VALVE

2/2 NORMALLY CLOSED – PILOT OPERATED - 1/4 NPT

SERIES
L142-NPT



	a	b	c	d	e	m	n	p	s
in	2.12	2.68	4.05	1.38	1.26	0.63	1.06	0.47	0.87
mm	54	68	103	35	32	27	16	12	22

General Features

Pilot operated solenoid valve with full orifice.

Built-in strainer fitted on the inlet flow path.

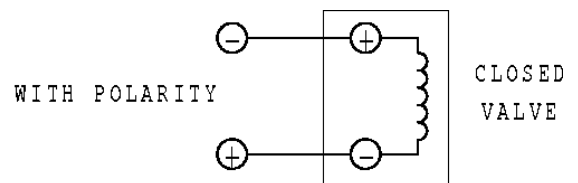
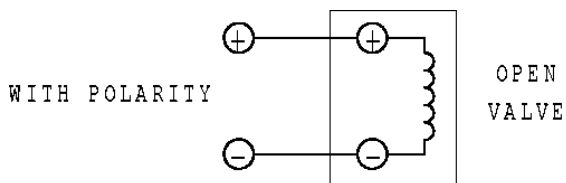
Suitable to shut off liquid and gaseous fluids (verify the compatibility of fluid with materials in contact).

Not suitable for use with dangerous fluids listed in Group 1, therefore they are free from CE marking in conformity with article 3 § 3 of the European Directive 97/23/EC (Pressure Equipment Directive).

Technical Features	
Maximum allowable pressure (PS)	232 psi
Opening time	~30ms
Closing time	~50ms
Fluid temperature	+14°F +194°F (NBR)
Max viscosity	~ 3.98 x 10 ⁻⁴ ft ² /sec

Materials in Contact with Fluid	
Body	Brass
Sealing	NBR
Internal components	Stainless steel and POM (acetal copolymer)
Seat	Brass
Core tube	Stainless steel

Coil	
Duty	Latching model, polarized type, operating by impulses.
Minimum energizing time	50ms
Coil impregnation	Polyester resin
Encapsulation material	PP-V0 (self-extinguishing polypropylene).
Coil insulation class	A (194°F)
Ambient temperature	+14°F +140°F
Electric connections	DIN 46340 - 3 poles plug connectors (EN175301-803)
Protection degree	IP 65 (EN 60529) with plug connector
Voltages	DC 6-12V (+10% -5%) (Other voltages on request)

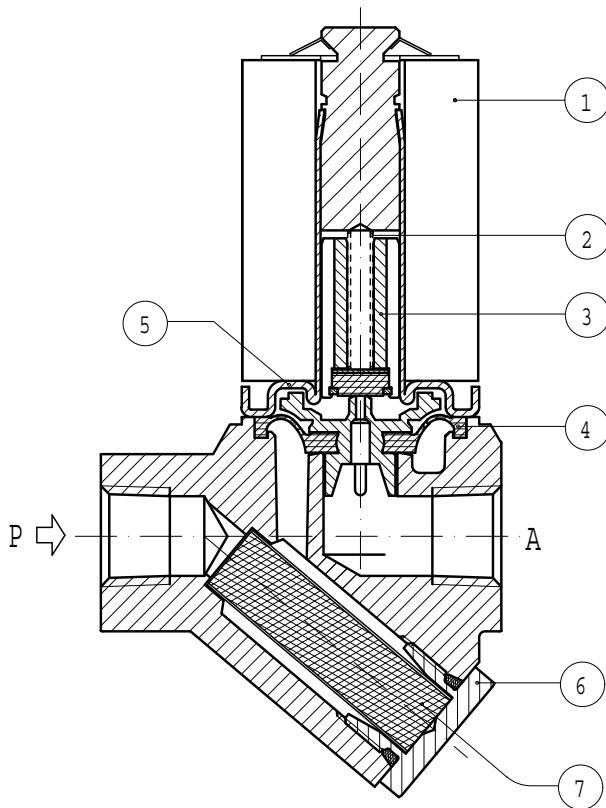


Pipe size (ins)	Orifice size (ins)	Differential pressure (bar)				Cv (GPM)	Series and type		Power absorption			Sealings	Notes	Weight (lbs)
		Δp min	Δp max		Valve		Coil	AC (VA)		DC (W)				
			Gases	Liquids				Inrush	Holding					
1/4 NPT	25/64	5	AC	DC	AC	DC	L142B01	Z570C	-	-	3	NBR	-	0,22

Notes

- Sealings : NBR = Nitrile-butylene elastomer
- Minimum order quantity 300 pcs

Spare Parts



Kit description	Kit P.N.	Consisting of:
Core kit	G3042601	Core pos. 3 Core return spring pos.2
Strainer kit	G3092801	Strainer pos.7 Threaded plug pos.6
Core return spring kit	G2781701	N.10 core return spring pos. 3
Diaphragm assembly	2706503	Diaphragm assembly pos.4
Guide assembly	2604403	Guide assembly pos. 5
Coil	Z570C	Coil pos. 1

Installation

- Solenoid valve can be mounted in any position; vertical with coil upwards preferred.
- In case of strainer replacement, the threaded plug has to be tightened at 10 ÷ 15 Nm torque.

THE VALIDITY OF REPORTED DATA IS REFERRED TO THE DATE OF ISSUE. POSSIBLE UPDATES ARE AVAILABLE ON REQUEST