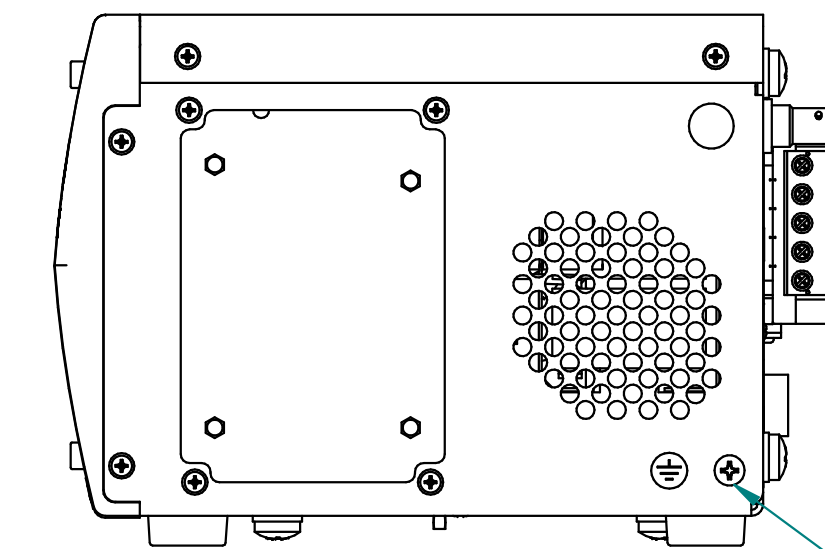
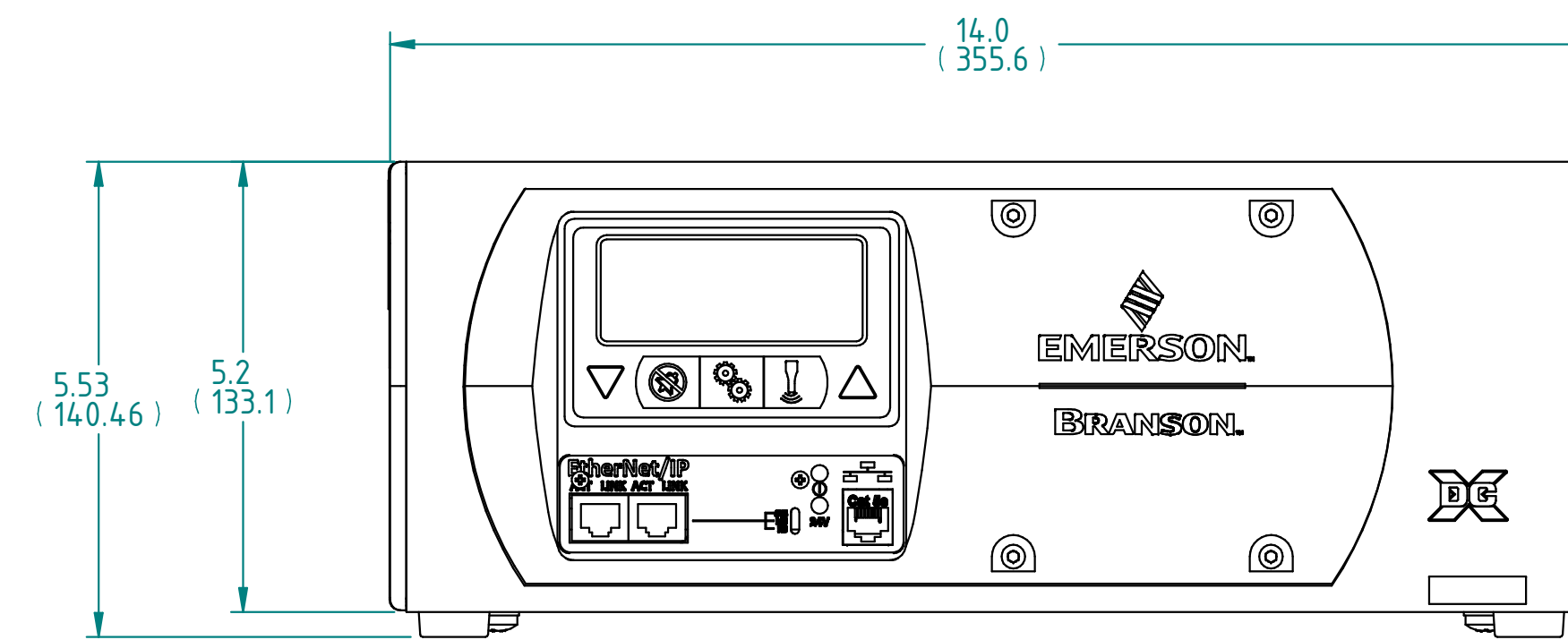
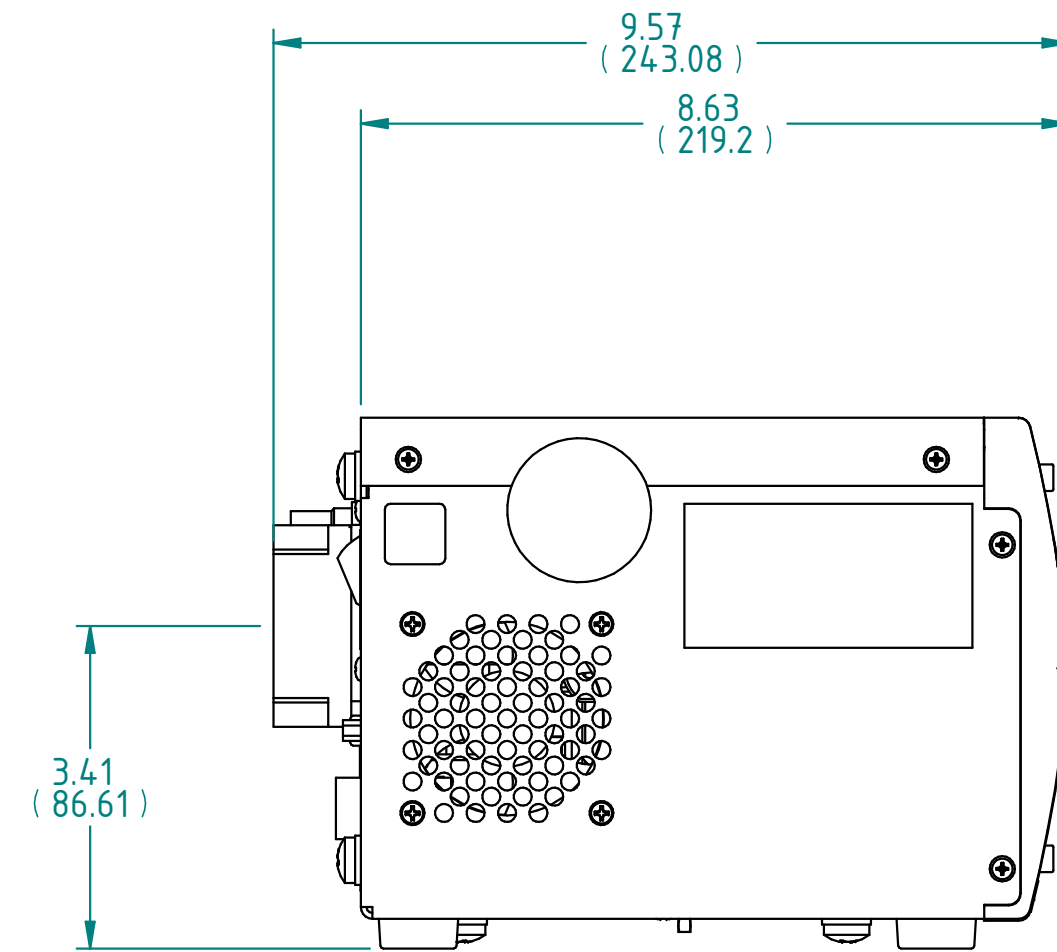
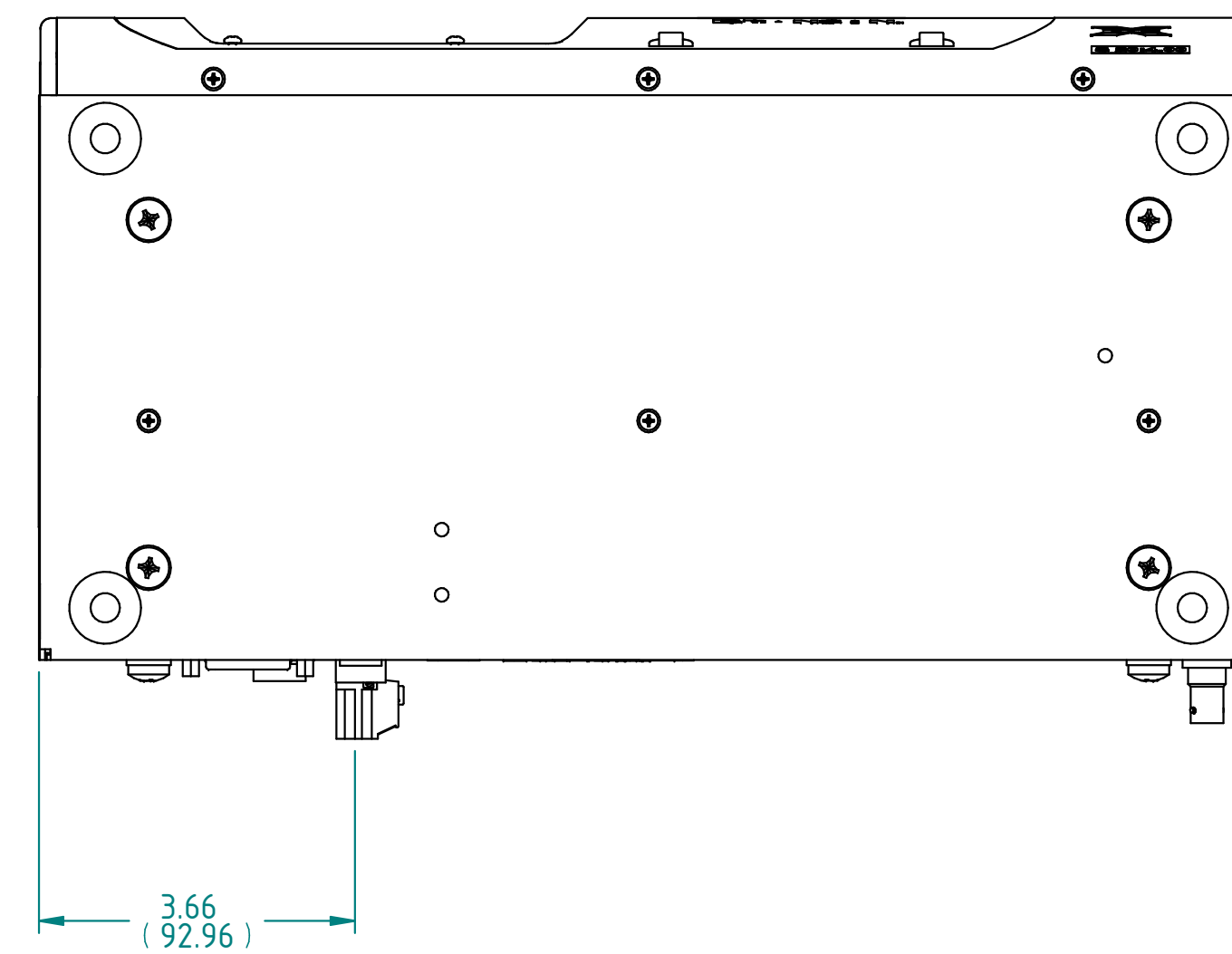
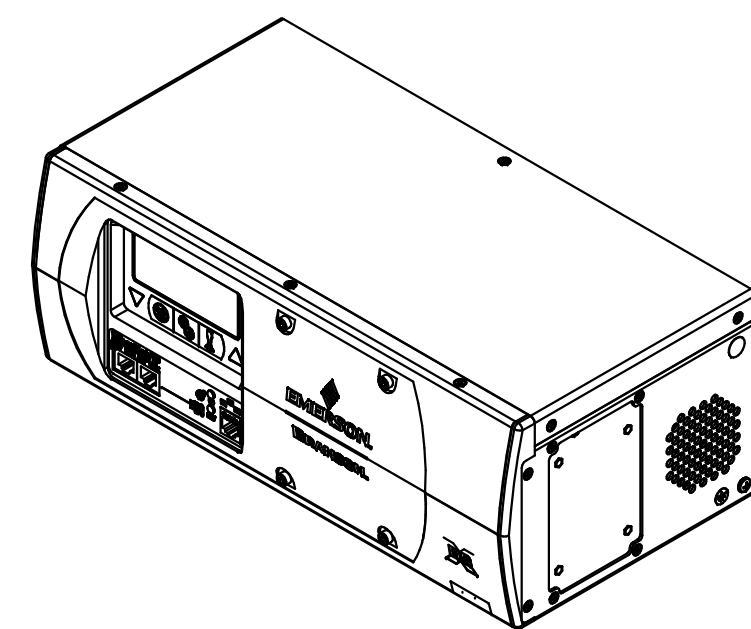


REVISIONS						
ZONE	REV	DESCRIPTION	DATE	ECN/ECO	DRAWN	APPR.
ALL	01	UPDATED PER IMPACT ANALYSIS	1/13/23	104476	JCN	HTR



GROUND SCREW.

GROUND SCREW.



- NOTES: UNLESS OTHER SPECIFIED
1. ALL DIMENSIONS ARE APPROXIMATE.
 2. 3.0in (76mm) RECOMMENDED CLEARANCE ON BOTH SIDES FOR THE FAN.
 3. 5.0in (127mm) RECOMMENDED CLEARANCE IN THE BACK FOR CABLES.

<small>UNLESS OTHERWISE SPECIFIED DIMENSIONS ARE IN INCHES AND TOLERANCES ARE: 2 PLACE DECIMALS ±0.05 3 PLACE DECIMALS ±0.005 4 PLACE DECIMALS ±0.0005 ANGLES ±1° FRACTIONS ±1/32 SURFACE FINISH</small> GD & T Standard ASME Y 14.5 <small>SECONDARY DIMENSIONS ARE PROVIDED FOR REFERENCE ONLY</small>	<small>This PROPRIETARY Document is property of Branson Ultrasonics Corp., Brookfield, CT. It is confidential in nature, non-transferable, and issued with the clear understanding that it is not traced or copied without permission and is returnable upon demand.</small>		<small>MATERIAL: N/A</small>				BRANSON <small>TITLE</small> OUTLINE DCX A HOR MED																	
	<small>Article or material must comply with requirements stipulated by RoHS in its current version.</small>		<small>Material Spec. N/A</small>																					
	<small>3RD ANGLE PROJECTION</small> 		<small>FINISH: N/A</small>		<table border="1"> <tr> <th>NAME</th> <th>DATE</th> </tr> <tr> <td>dsulik</td> <td>3/08/13</td> </tr> <tr> <td>ngaler</td> <td>3/08/13</td> </tr> <tr> <td>dsulik</td> <td>3/08/13</td> </tr> </table>		NAME	DATE	dsulik	3/08/13	ngaler	3/08/13	dsulik	3/08/13	<table border="1"> <tr> <td>AGENCY PART</td> <td>NO</td> </tr> <tr> <td>BUC CLASSIFICATION</td> <td>3 Important</td> </tr> <tr> <td>IP CLASSIFICATION</td> <td>NO</td> </tr> <tr> <td>WEIGHT</td> <td>0.000 lbm</td> </tr> </table>		AGENCY PART	NO	BUC CLASSIFICATION	3 Important	IP CLASSIFICATION	NO	WEIGHT	0.000 lbm
	NAME	DATE																						
dsulik	3/08/13																							
ngaler	3/08/13																							
dsulik	3/08/13																							
AGENCY PART	NO																							
BUC CLASSIFICATION	3 Important																							
IP CLASSIFICATION	NO																							
WEIGHT	0.000 lbm																							
<small>Finish Spec. N/A</small>		<table border="1"> <tr> <td>SCALE: 1:2</td> <td>SHEET 1 OF 1</td> </tr> </table>		SCALE: 1:2	SHEET 1 OF 1	<table border="1"> <tr> <td>SIZE DWG NO</td> <td>REV</td> </tr> <tr> <td>D 931-132-1822</td> <td>01</td> </tr> </table>		SIZE DWG NO	REV	D 931-132-1822	01													
SCALE: 1:2	SHEET 1 OF 1																							
SIZE DWG NO	REV																							
D 931-132-1822	01																							

SOLID EDGE