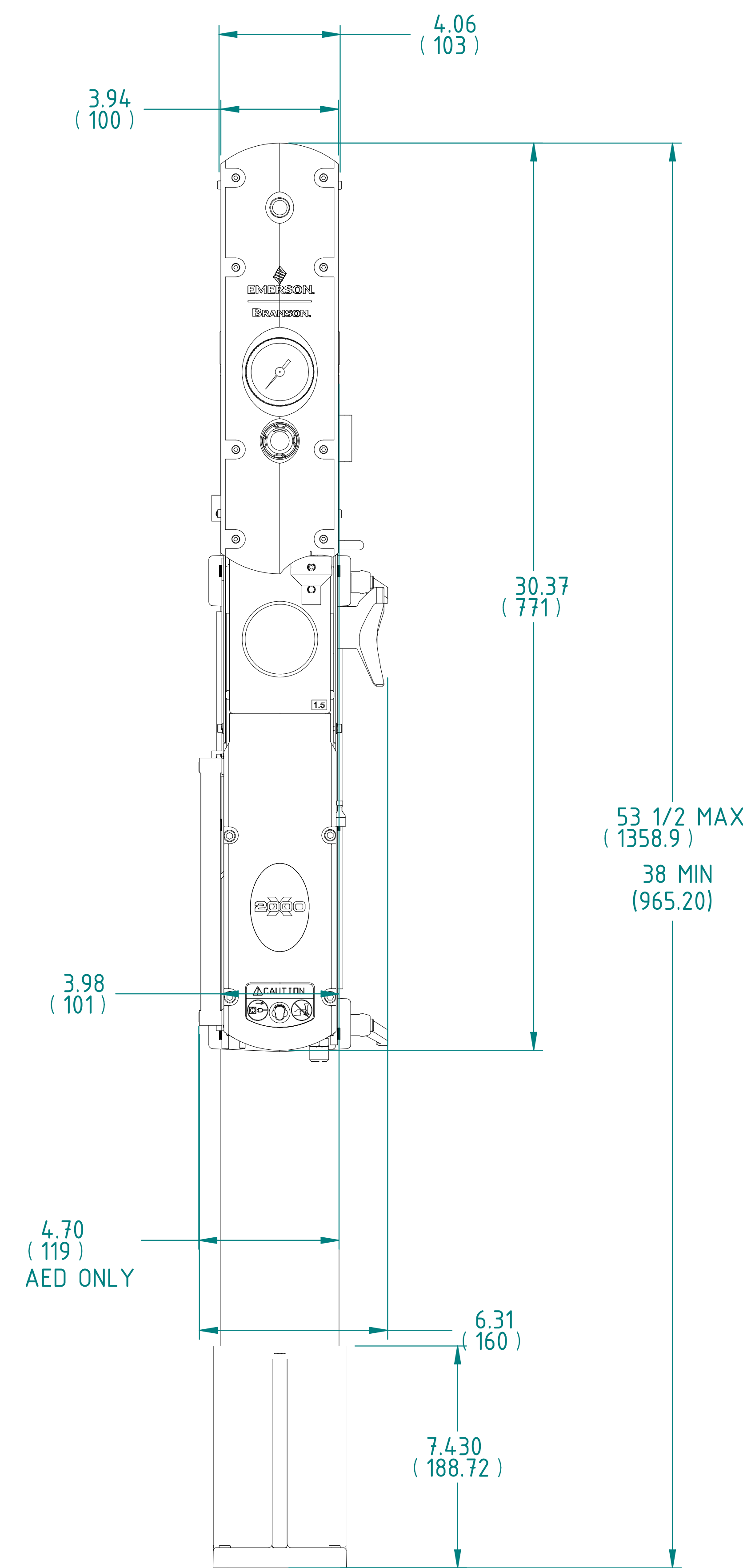
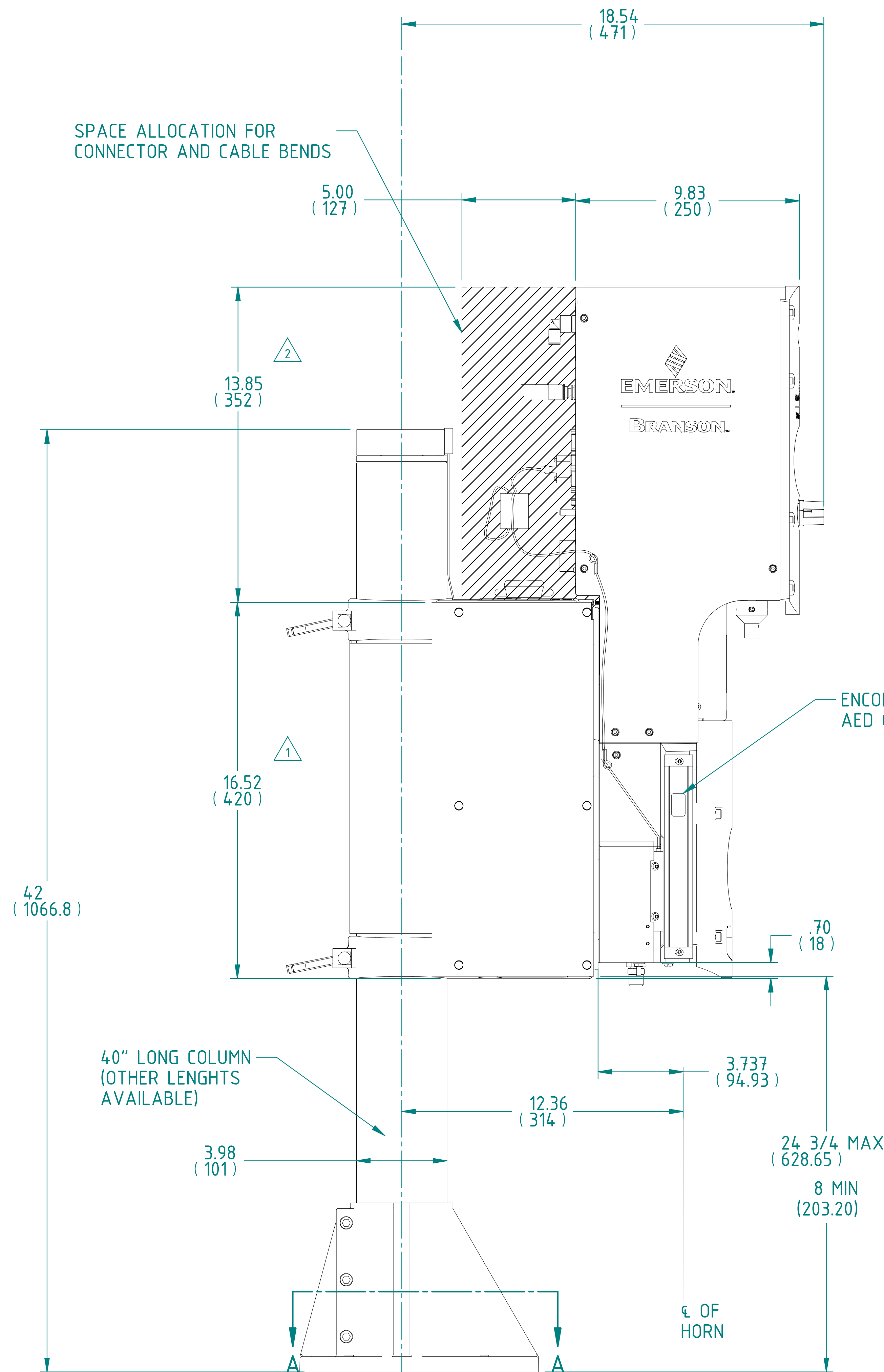


HORN DIMENSIONS	FREQUENCY			DIMENSION SHOWN ARE APPROXIMATE TO ALLOW FOR DIFFERENT BOOSTER GAIN HORN DESIGN, MATERIAL AND TUNING. ALL HORN DIMENSIONS ARE FOR 1/2 WAVE DESIGNS. ALLOW FOR ADJUSTABILITY AND POTENTIAL TOOLING CHANGE
	20 KHz	30 KHz	40 KHz	
	2.12 TO 2.75	1.30 TO 1.54	0.69 TO 0.94	
	5 TO 5.50	2.97 TO 3.80	2.5 TO 2.75	

HORN WIDTH AND LENGTH WILL VARY WITH EACH DESIGN

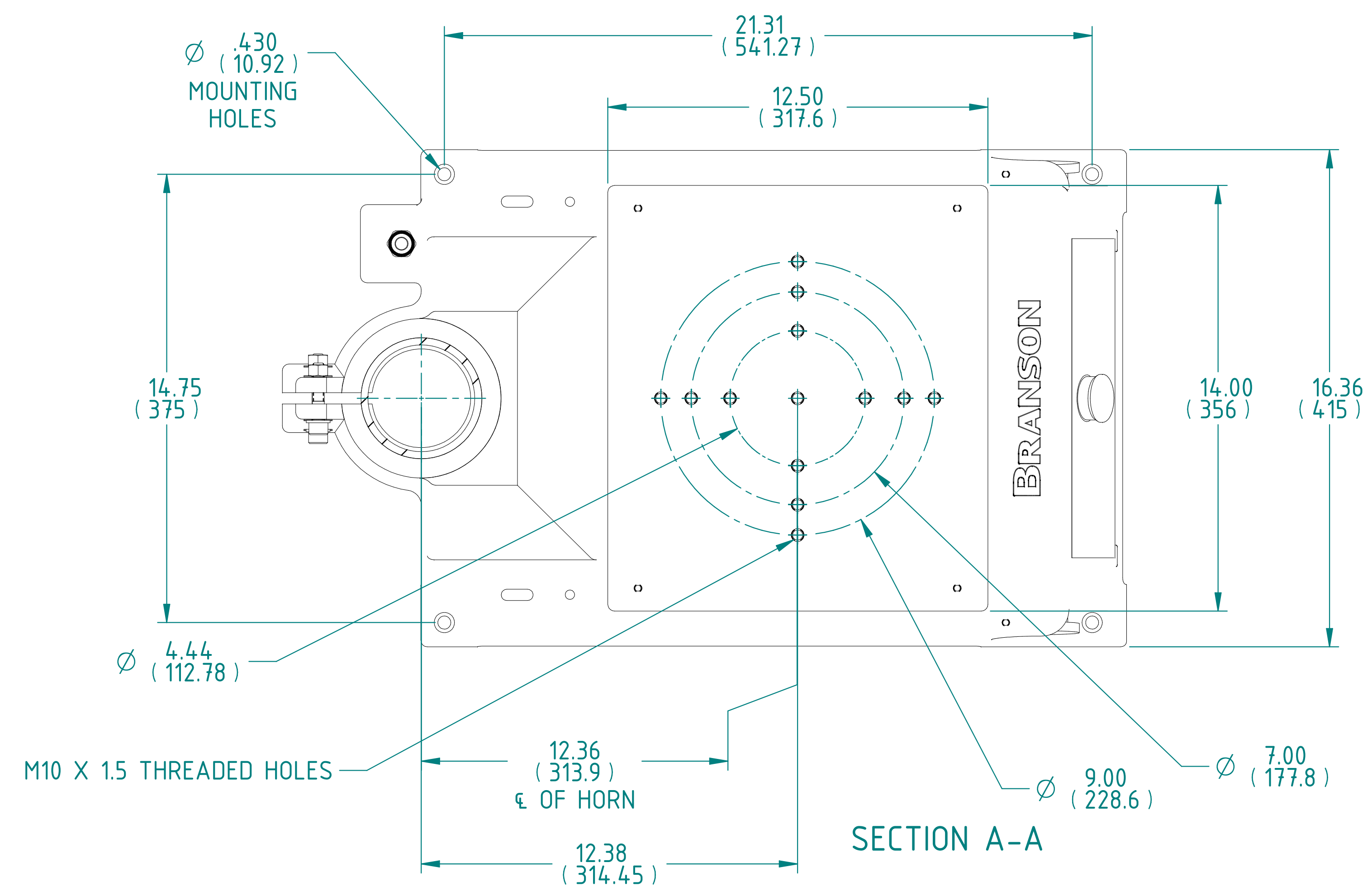
REVISIONS						
ZONE	REV	DESCRIPTION	DATE	ECN/ECO	DRAWN	APPR.
---	1	4.94" 1254.76 MAX. DIM WAS 618" 1570 MM ; 19" 483 MM DIM WAS 28" 711MM ; 3.73" 94.919 MM DIM WAS 3.75" 95 MM	10/16/08	18151	JJF	NLG
---	2	WAS REPLACED THE COVERS 100-032-444, 100-032-445, WITH 100-032-473 AND 100-032-474.	05/21/10	18568	JJF	NLG
---	03	REDRAWN IN SOLID EDGE, UPDATED THE VIEW OF THE LABEL, 100-065-919 AND UPDATED THE BRANSON LOGO	6/8/13	20208	AAAH	ERS
SH 2 - III	04	ADDED DIMENSION OF THE CENTER LINE OF HORN	7/10/14	20721	DHM	JVL
ALL	05	WELDMENT WAS UPDATED, IMPACT ANALYSIS	09/04/17	22202	JTO	AASR
ALL	06	LOGO WAS UPDATED PER IMPACT ANALYSIS OF 100-001-037.	11/21/18	101383	AAAG	JTO
---	07	UPDATED PER IMPACT ANALYSIS.	1/7/19	22405	OZG	DHM
---	08	UPDATED DRAWING TO SHOW CORRECT DIMENSIONS.	11/7/19	102203	OZG	JVL
HS-HTR SH2, IA (SH3)	09	CORRECTED DIMENSIONS REFERRED TO THE CORRECT VIEW AND NOT "DRAW IN VIEW".	1/16/20	102366	OZG	JVL
---	10	UPDATED PER IMPACT ANALYSIS	7/27/22	104081	JCN	HTR



NOTES:
 1. ALL DIMENSIONS ARE APPROXIMATE.
 2. SEE SHEET 2 FOR BASE MOUNT.
 SHEET 3 FOR ACTUATOR ONLY

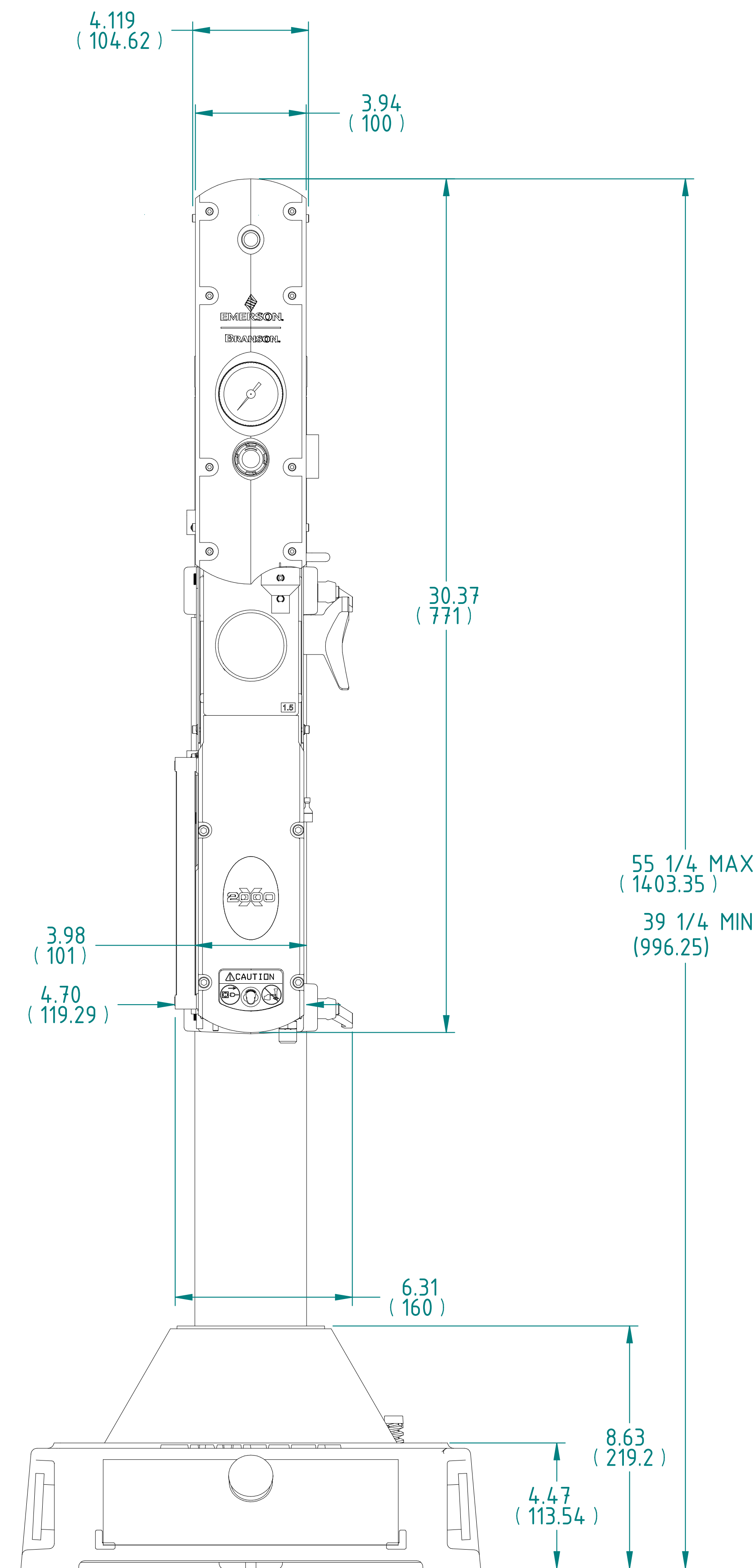
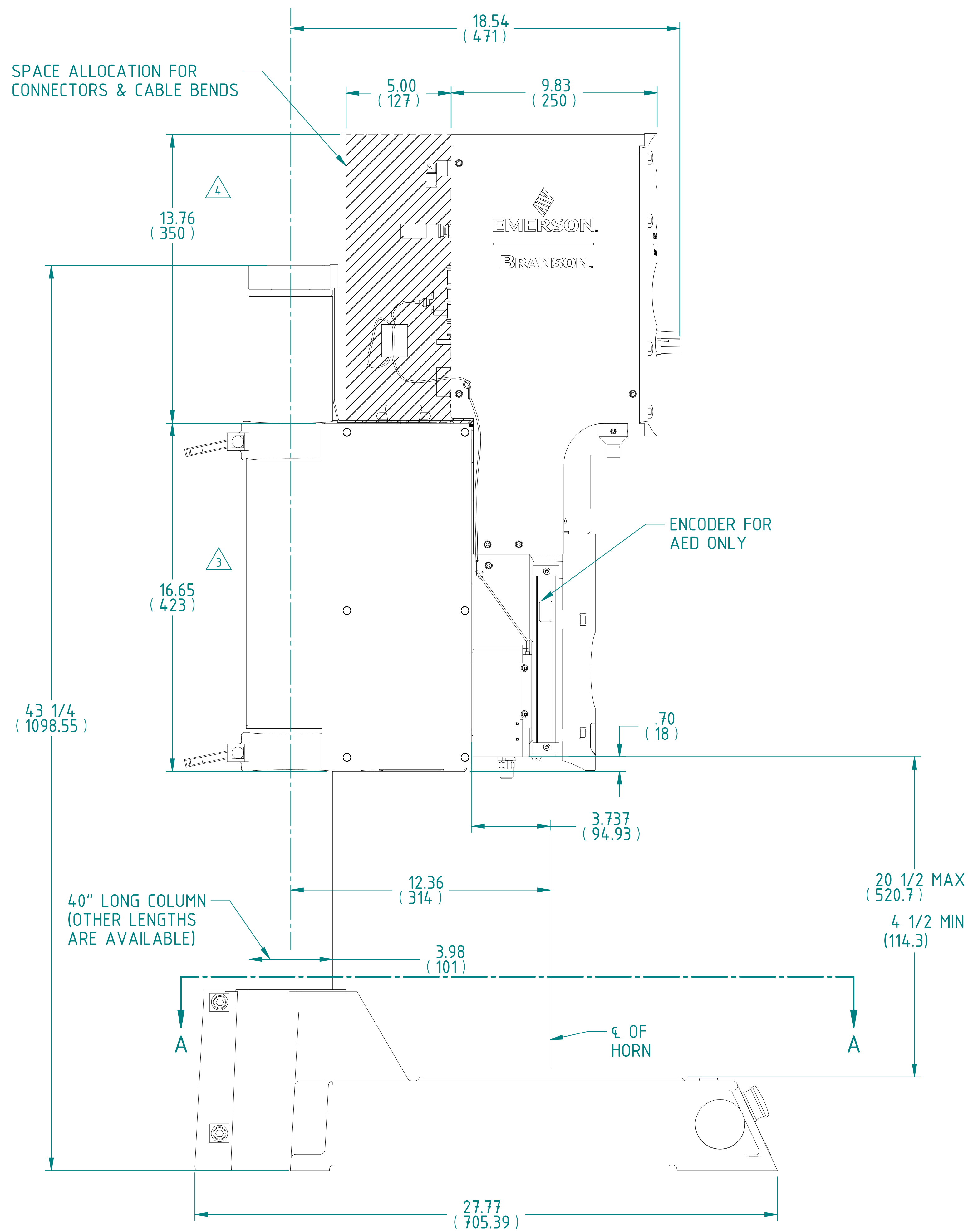
UNLESS OTHERWISE SPECIFIED DIMENSIONS ARE IN INCHES AND DECIMALS ARE 3 PLACE DECIMALS .005 4 PLACE DECIMALS .0005 ANGLES AT FRACTIONS 1/16 SURFACE FINISH	This PROPRIETARY Document is property of Branson Ultrasonics Corp., Brookfield, CT. It is confidential in nature, non-transferable, and issued with the clear understanding that it is not traced or copied without permission and is returnable upon demand.	MATERIAL: N/A	BRANSON
GD & T Standard ASME Y 14.5	Article or material must comply with requirements stipulated by RoHS in its current version.	Material Spec: N/A	TITLE: OUTLINE 2000x ae/aed
SECONDARY DIMENSIONS ARE PROVIDED FOR REFERENCE ONLY	3RD ANGLE PROJECTION	FINISH: N/A	AGENCY PART: NO
		DRAWN: PD 3/06/06	DOC CLASSIFICATION: 3 Important
		CHECKED: NLG 3/06/06	IP CLASSIFICATION: NO
		APPROVED: NLG 3/06/06	WEIGHT: 0.000 lbm
		SCALE: 12.86 SHEET 1 OF 3	SIZE/DWG NO: E 931-134-242
		Finish Spec: N/A	REV 10

REVISIONS					
ZONE	REV	DESCRIPTION	DATE	ECN/ECO	APPR.
---	---	SEE SHEET 1	---	---	---



HORN DIMENSIONS	FREQUENCY			DIMENSION SHOWN ARE APPROXIMATE TO ALLOW FOR DIFFERENT BOOSTER GAIN HORN DESIGN, MATERIAL AND TUNING. ALL HORN DIMENSIONS ARE FOR 1/2 WAVE DESIGNS. ALLOW FOR ADJUSTABILITY AND POTENTIAL TOOLING CHANGE
	20 KHz	30 KHz	40 KHz	
	2.12 TO 2.75	1.30 TO 1.54	0.69 TO 0.94	
	5 TO 5.50	2.97 TO 3.80	2.5 TO 2.75	

HORN WIDTH AND LENGTH WILL VARY WITH EACH DESIGN



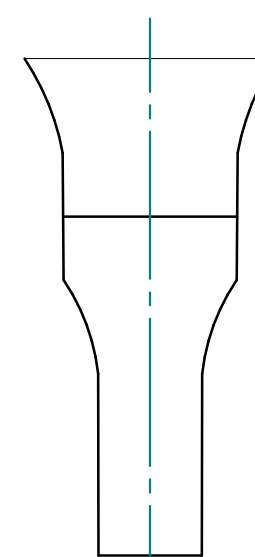
- NOTES:
- ALL DIMENSIONS ARE APPROXIMATE.
 - SEE SHEET 1 FOR HUB MOUNT.
 - SHEET 3 FOR ACTUATOR ONLY.

UNLESS OTHERWISE SPECIFIED DIMENSIONS ARE IN INCHES AND TOLERANCES ARE: 2 PLACE DECIMALS ±.005 3 PLACE DECIMALS ±.005 4 PLACE DECIMALS ±.0005 ANGLES AT FRACTIONS 1/12 SURFACES FINISH	THIS PROPRIETARY DOCUMENT IS PROPERTY OF BRANSON ULTRASONICS CORP., BROOKFIELD, CT. IT IS CONFIDENTIAL IN NATURE, NON-TRANSFERABLE, AND ISSUED WITH THE CLEAR UNDERSTANDING THAT IT IS NOT TO BE TRACED OR COPIED WITHOUT PERMISSION AND IS RETURNABLE UPON DEMAND.
--	---

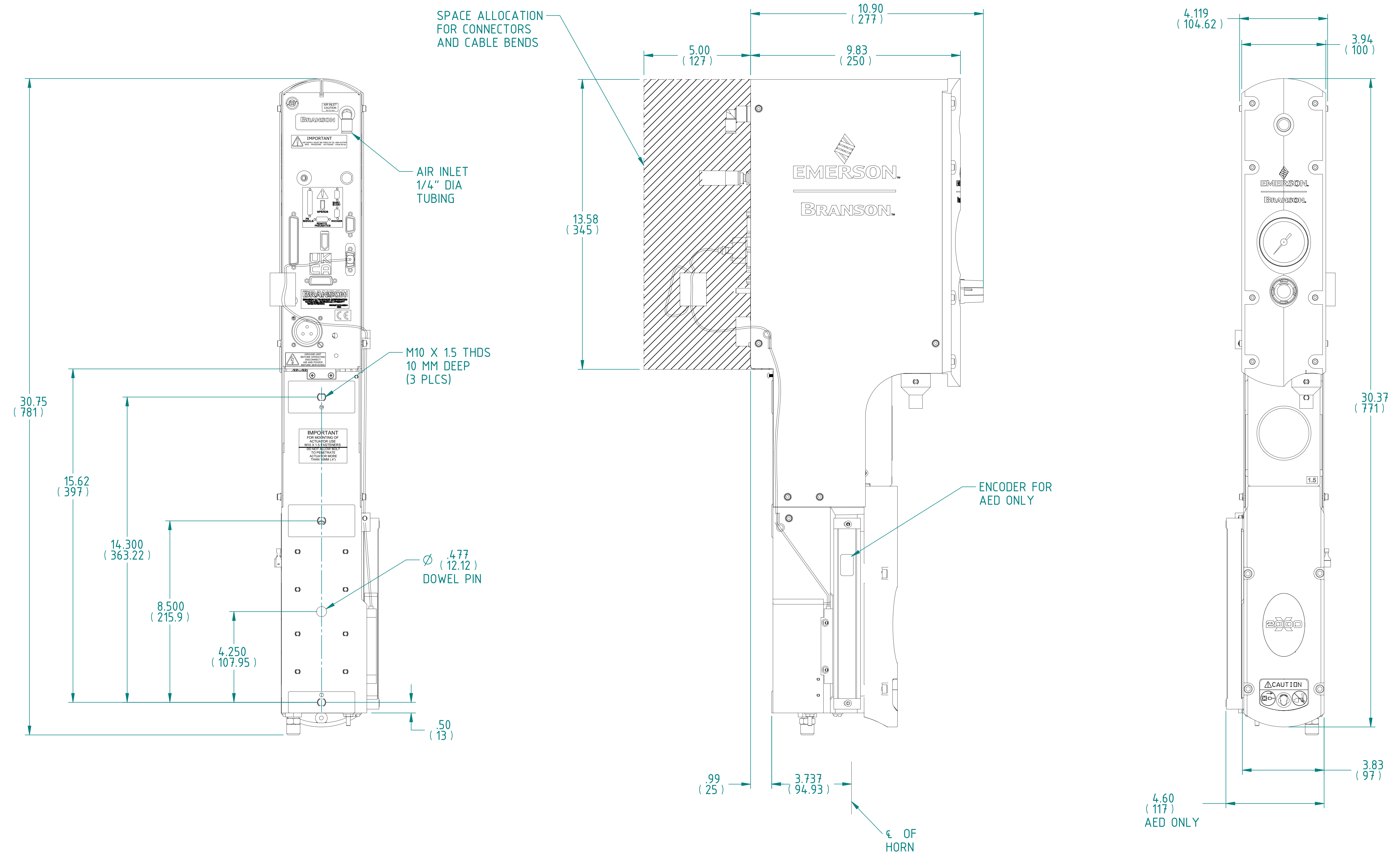
GD & T Standard ASME Y 14.5	INCHES (MM)	3RD ANGLE PROJECTION
SECONDRARY DIMENSIONS ARE PROVIDED FOR REFERENCE ONLY		

MATERIAL: N/A	FINISH: N/A	Finish Spec: N/A	EMERSON	BRANSON	TITLE: OUTLINE 2000x ae/aed
DRAWN: PD	CHECKED: NLG	APPROVED: NLG	NAME: NLG	DATE: 3/06/06	AGENCY PART: NO
SCALE: 12.86	SHEET 2 OF 3	SIZE: DWG NO	WEIGHT: NO	REV: 10	3 important
					0.000 lbm
					931-134-242

REVISIONS					
ZONE	REV	DESCRIPTION	DATE	ECN/ECO	APPR.
---	---	SEE SHEET 1	---	---	---

HORN DIMENSIONS	FREQUENCY			DIMENSION SHOWN ARE APPROXIMATE TO ALLOW FOR DIFFERENT BOOSTER GAIN HORN DESIGN, MATERIAL AND TUNING. ALL HORN DIMENSIONS ARE FOR 1/2 WAVE DESIGNS. ALLOW FOR ADJUSTABILITY AND POTENTIAL TOOLING CHANGE
	20 KHz	30 KHz	40 KHz	
	2.12 TO 2.75	1.30 TO 1.54	0.69 TO 0.94	
	5 TO 5.50	2.97 TO 3.80	2.5 TO 2.75	

HORN WIDTH AND LENGTH WILL VARY WITH EACH DESIGN



NOTES:
 1. ALL DIMENSIONS ARE APPROXIMATE.
 2. SEE HUB MOUNT SEE SHEET 1.
 AND BASE MOUNT SEE SHEET 2.

<small>UNLESS OTHERWISE SPECIFIED DIMENSIONS ARE IN INCHES AND TOLERANCES ARE: 2 PLACE DECIMALS ±.015 3 PLACE DECIMALS ±.005 4 PLACE DECIMALS ±.0005 ANGLES AT FRACTIONS 1/12 SURFACES FINISH</small> GD & T Standard ASME Y 14.5 <small>SECONDARY DIMENSIONS ARE PROVIDED FOR REFERENCE ONLY</small> 3RD ANGLE PROJECTION	<small>This PROPRIETARY Document is property of Branson Ultrasonics Corp., Brookfield, CT. It is confidential in nature, non-transferable, and issued with the clear understanding that it is not traced or copied without permission and is returnable upon demand.</small> Article or material must comply with requirements stipulated by RoHS in its current version.	MATERIAL: N/A FINISH: N/A Material Spec: N/A Finish Spec: N/A	EMERSON		BRANSON.	
			TITLE: OUTLINE 2000X ae/aed AGENCY PART: NO DUC CLASSIFICATION: 3 Important IP CLASSIFICATION: NO WEIGHT: 0.000 lbm SIZE/DWG NO: E 931-134-242 REV 10	DRAWN: PD 3/06/06 CHECKED: NLG 3/06/06 APPROVED: NLG 3/06/06 SCALE: 12 SHEET 3 OF 3	DATE: 3/06/06 DATE: 3/06/06 DATE: 3/06/06	NAME: PD NAME: NLG NAME: NLG