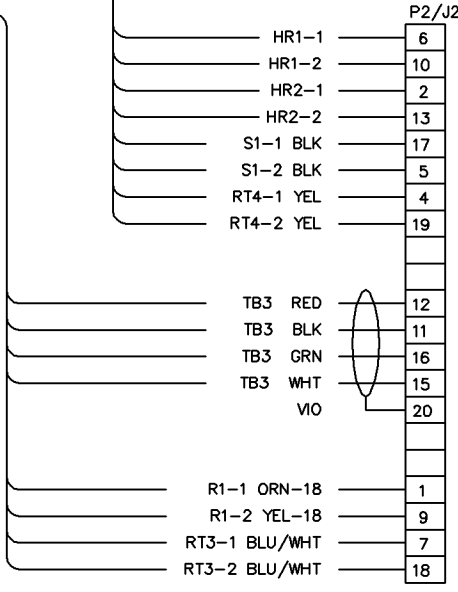
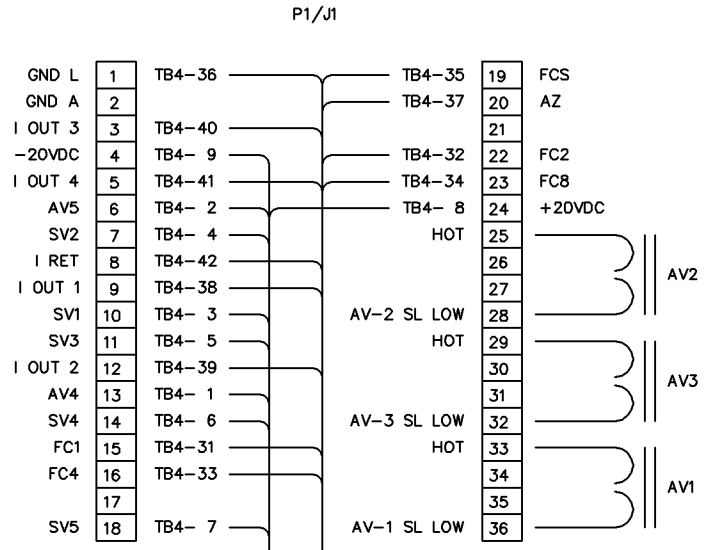


NOTES:

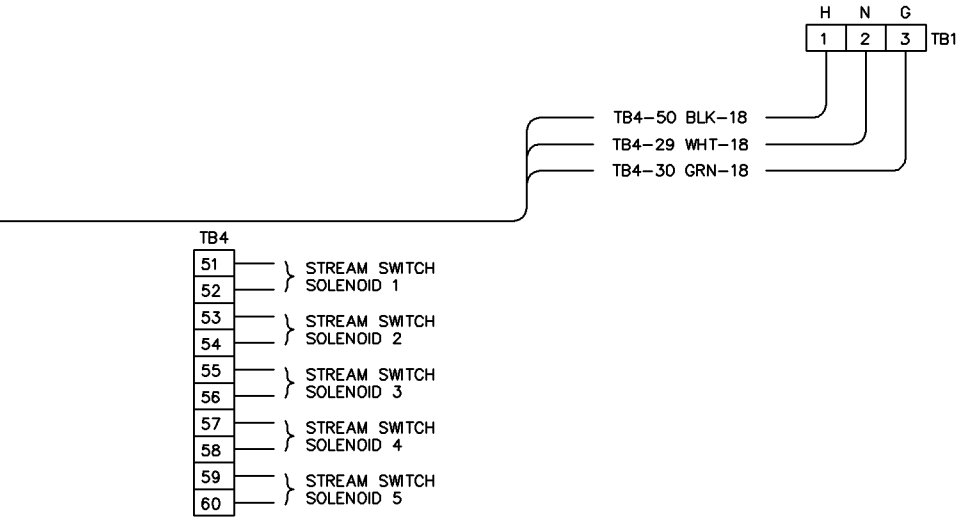
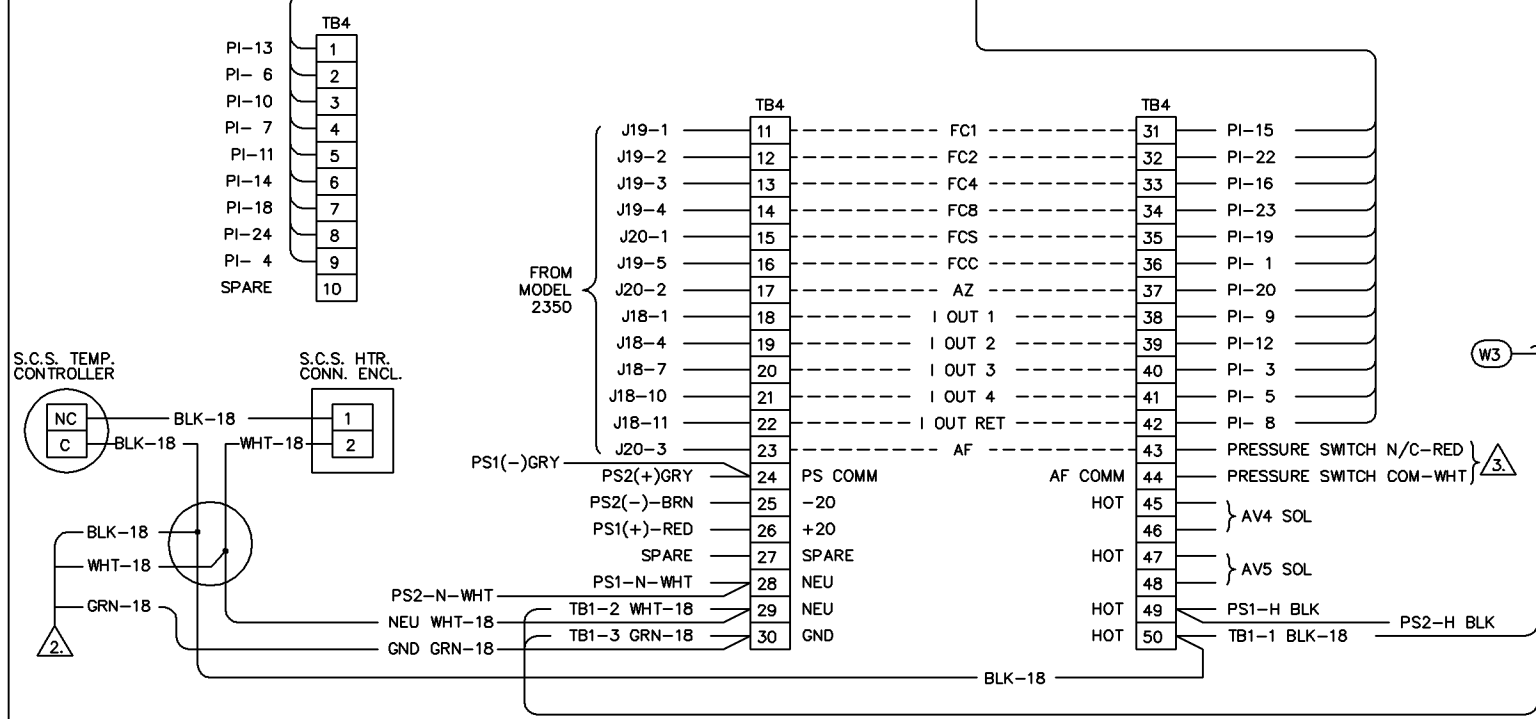
⚠ CONNECTIONS FOR TEMPERATURE MEASUREMENTS. LABEL THERMOCOUPLE ENDS ("1" FOR TC1, "2" FOR TC2) USING WIRE MARKERS. RUN BOTH THERMOCOUPLE PAIRS THROUGH UPPER ELECTRONICS HOUSING AND POSITION IN LEFT SIDE OF LOWER ELECTRONICS HOUSING. COVER EXPOSED THERMOCOUPLE LEADS WITH PROTECTIVE TAPE PRIOR TO SHIPMENT.

CUSTOMER NOTE: TYPE J THERMOCOUPLE WIRE ONLY MUST BE USED FOR INTERCONNECTION FOR REMOTE TEMP. INDICATION. TWIST END WIRES TOGETHER & SECURE WITH HEAT-SHRINK TUBING. DO NOT SPLICE WITH WELD, BUTT-SPLICE OR OTHER METAL DEVICE.



⚠ WIRES (3 - BLK, WHT AND GRN) TO BE PIGTAILED IN REAR CONDUIT BOX FOR CUSTOMER POWER.

⚠ WIRES (2 - WHT AND RED) FROM PRESSURE SWITCH TERMINATING AT TB4.



SI METRIC					
THIRD ANGLE PROJECTION					
MATERIAL	SEE ORDER				
FINISH	SEE ORDER				
PROJ. FILE NO.	- NONE	FILENAME:	DE18301D1.DWG, DATE: 12-14-06, TIME: 2:34 P.M.		

THIS DRAWING IN DESIGN AND DETAIL IS OUR PROPERTY AND MUST NOT BE USED EXCEPT IN CONNECTION WITH OUR WORK. IT SHALL NOT BE REPRODUCED AND SHALL BE RETURNED TO US ON DEMAND. ALL RIGHTS ARE RESERVED.					
GEOMETRIC TOLERANCES & DIMENSIONS PER ANSI Y14.5 LATEST REVISION			TITLE		
UNLESS OTHERWISE NOTED ALL DIMENSIONS IN INCHES X.XX 0.015 X.XXX 0.005 ANGULAR 30° 30' FINISH 200 RA MAX			ANALYZER WIRING DIAGRAM 500 SERIES GC WITH S.C.S. OVEN, 2350 CONTROLLER		
DRN	VONNIE	DATE	9/8/94	DWG NO.	
CHKD	EM	DATE	12/13/94	DE-18301	REV
APPD	RH	DATE	12/13/94	SCALE	N/A
				SEE ORDER	SHT 1 OF 1