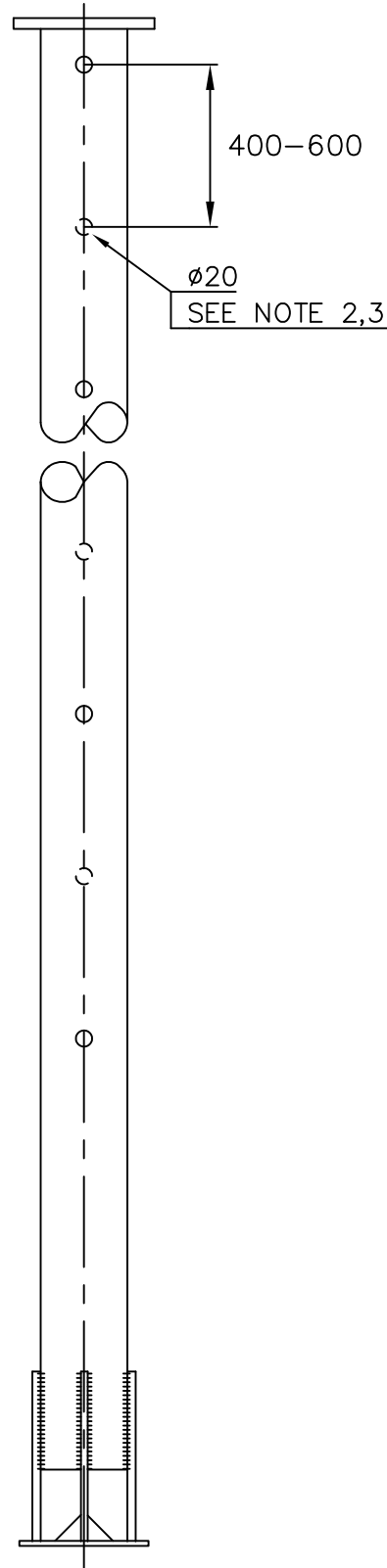


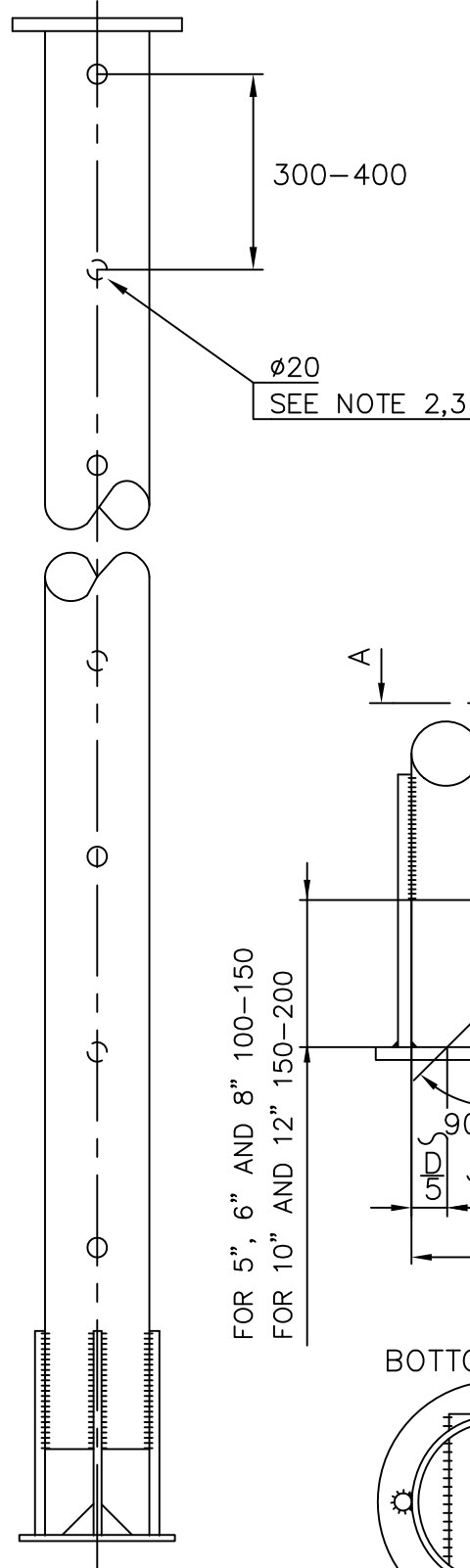
2014-03-12 Electronic Master - PRINTED COPIES ARE UNCONTROLLED - Rosemount Proprietary

5" SCH 10-60



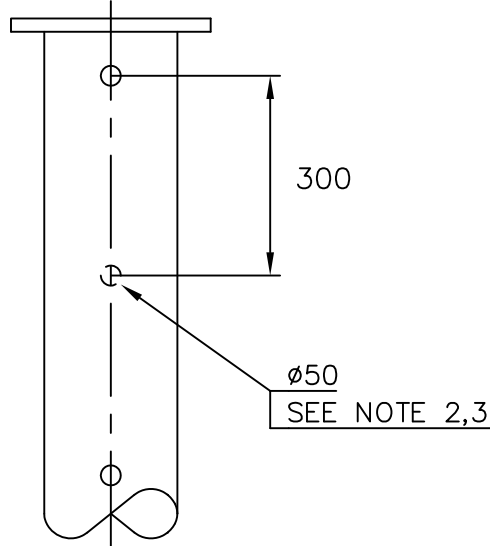
BOTTOM PLATE

6" SCH 10-60



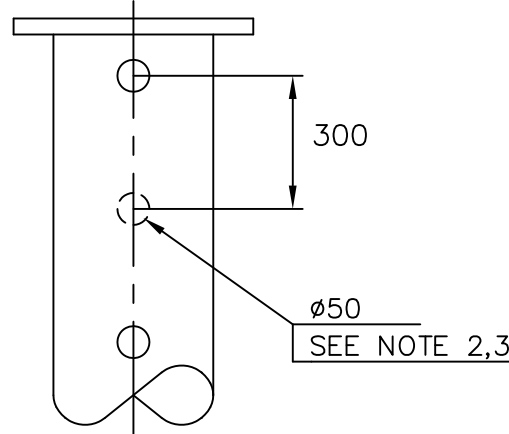
BOTTOM PLATE

8" SCH 20-80



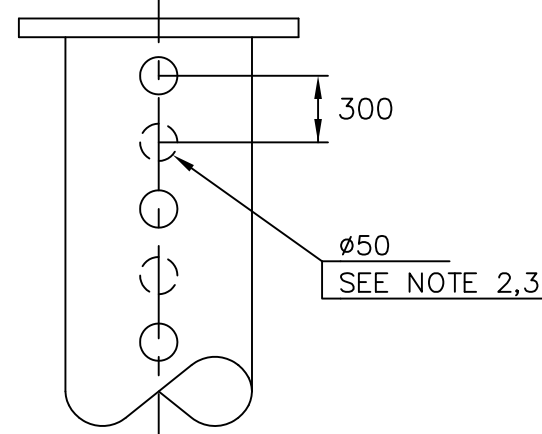
ø50  
SEE NOTE 2,3

10" SCH 10-60

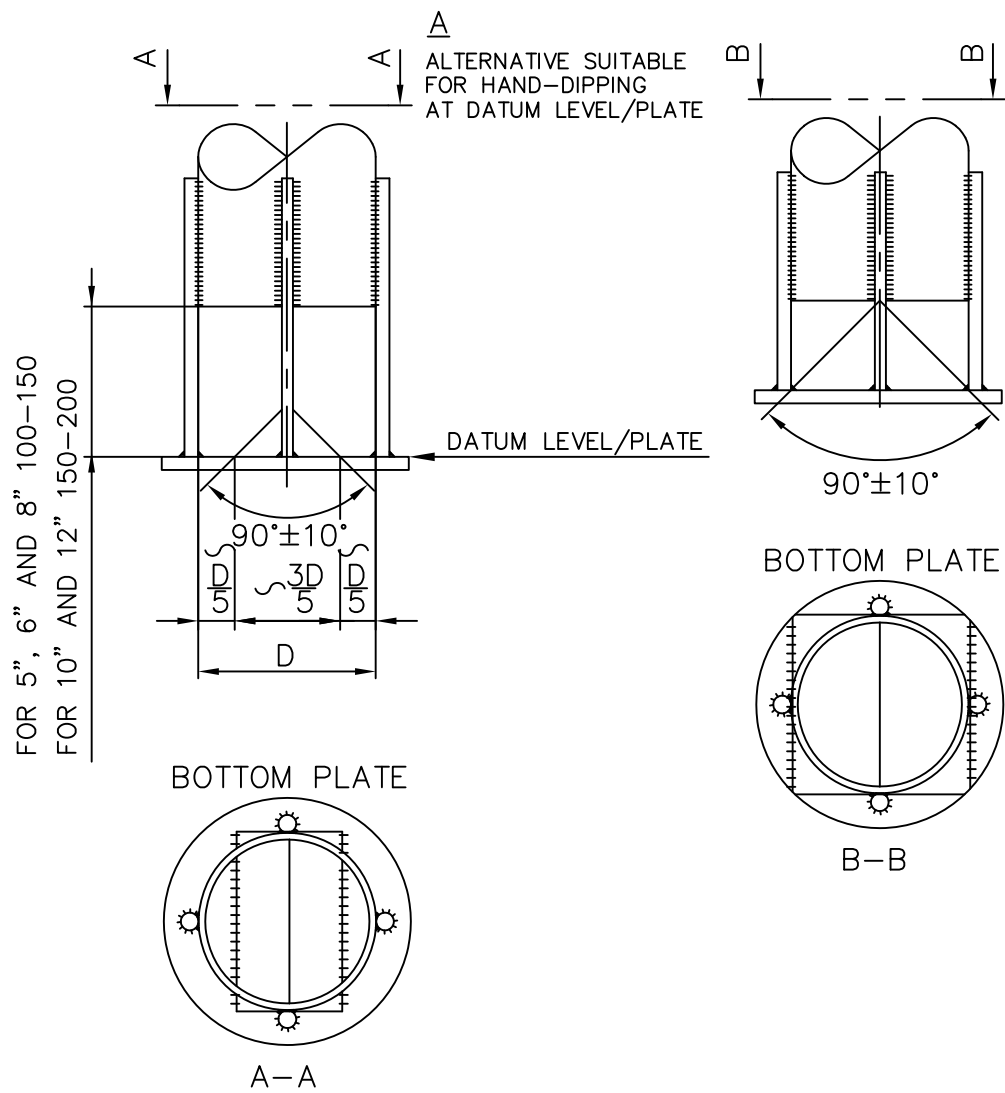


ø50  
SEE NOTE 2,3

12" SCH 10-40-XS



ø50  
SEE NOTE 2,3



BOTTOM PLATE

A-A

BOTTOM PLATE

B-B

**B**  
ALTERNATIVE BOTTOM PLATE  
WHEN MEASURING AT VERY  
LOW LEVELS, CLOSE TO THE PIPE END.  
(NO DATUM LEVEL/PLATE)

**FLANGES**

- SLIP-ON FLANGES  
 5" ANSI CLASS 150  
 DN 125 PN 16 DIN 2501  
 6" ANSI CLASS 150  
 DN 150 PN 16 DIN 2501  
 8" ANSI CLASS 150  
 DN 200 PN 10 DIN 2501  
 10" ANSI CLASS 150  
 DN 250 PN 16 DIN 2501  
 12" ANSI CLASS 150  
 DN 300 PN 16 DIN 2501

- NOTE 1: REINFORCEMENT OF WELDING CAN NOT BE ACCEPTED INSIDE THE STILL PIPE.  
 NOTE 2: INTERNAL SURFACE OF PIPE AFTER DRILLING OF HOLES TO BE SMOOTH AND FREE FROM BURRS.  
 NOTE 3: EVERY HOLE TURNED 180°.

**FOR NEW CONSTRUCTION**

ISSUED BY Eme-BL	WEEK 1041	PRODUCT CODE 5900	FILE ACAD	INSTALLATION DRAWING TITLE RECOMMENDED STILL-PIPE FOR 5900 SERIES WITH ARRAY ANTENNA
APPROVED BY Eme-MH	WEEK 1047	ORIGINAL DWG NO.	SCALE -	
<b>ROSEMOUNT</b> Tank Gauging			1 ST ANGLE 	DOC TYPE 2
			DWG NO. D9240041-917	ISSUE 02
				SHEET 1/1

THE COPYRIGHT/OWNERSHIP OF THIS DOCUMENT IS AND WILL REMAIN OURS. THE DOCUMENT MUST NOT BE USED WITHOUT OUR AUTHORIZATION OR BROUGHT TO THE KNOWLEDGE OF A THIRD PARTY. CONTRAVENTION WILL BE PROSECUTED. ROSEMOUNT TANK RADAR AB, SWEDEN.