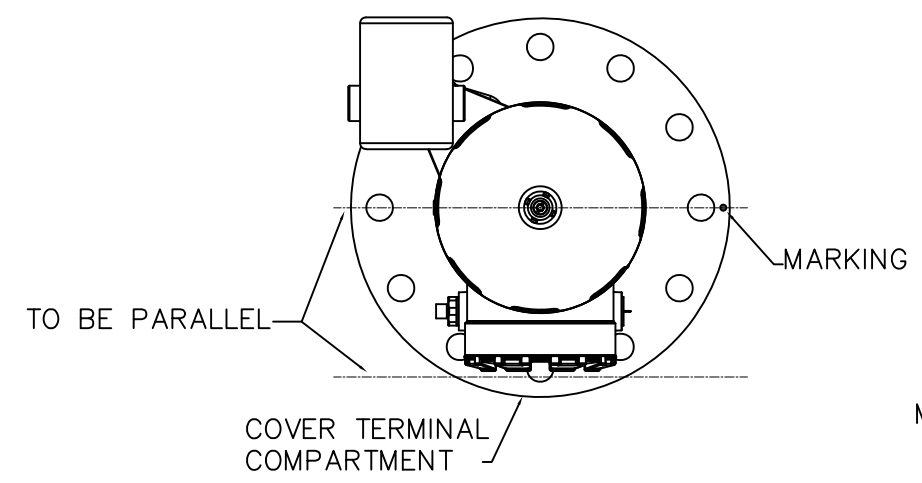
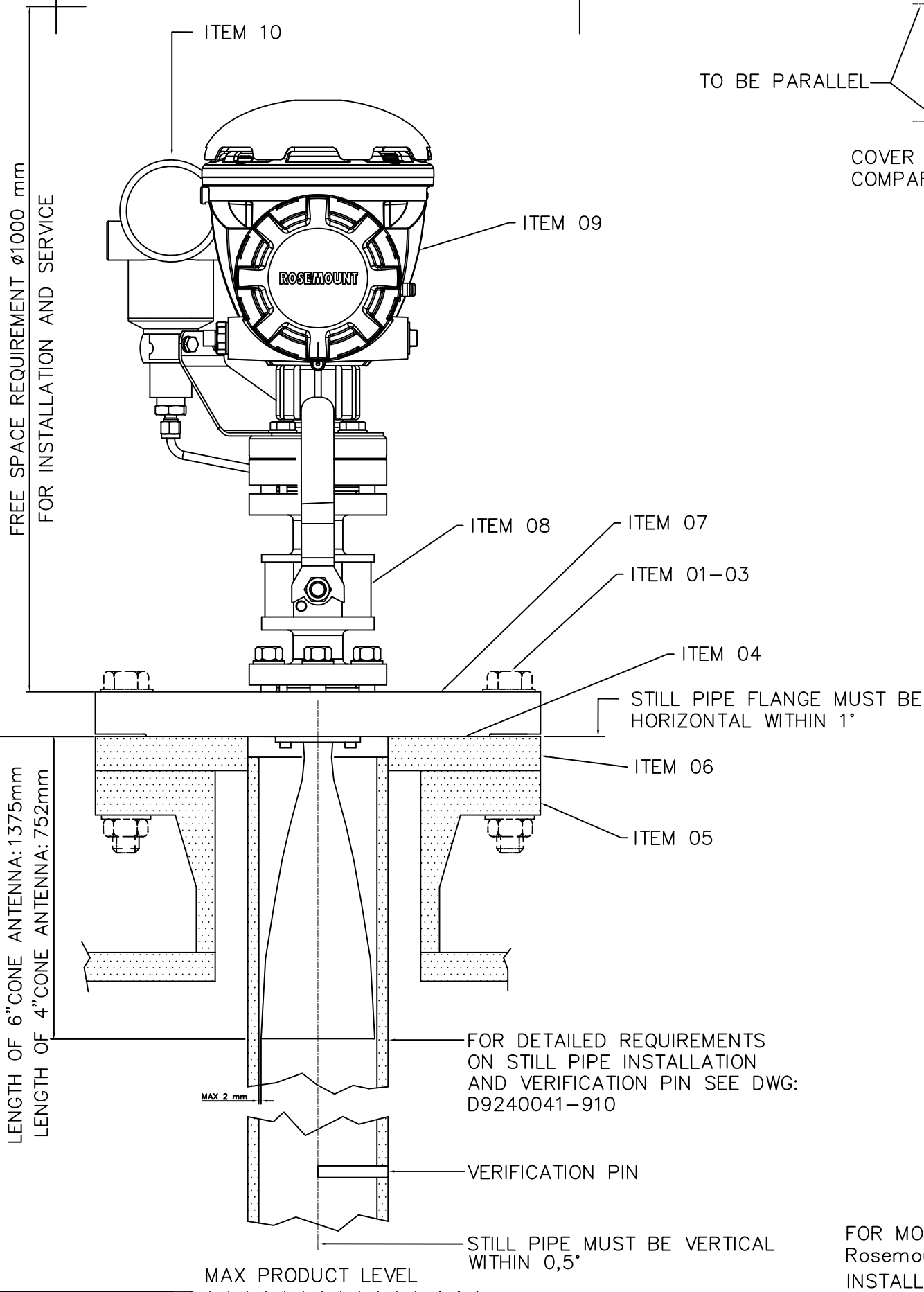
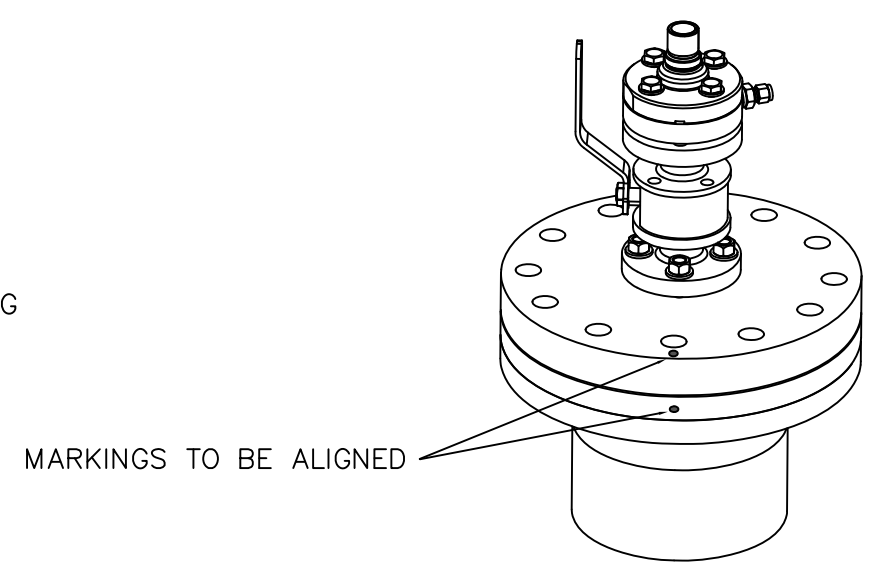


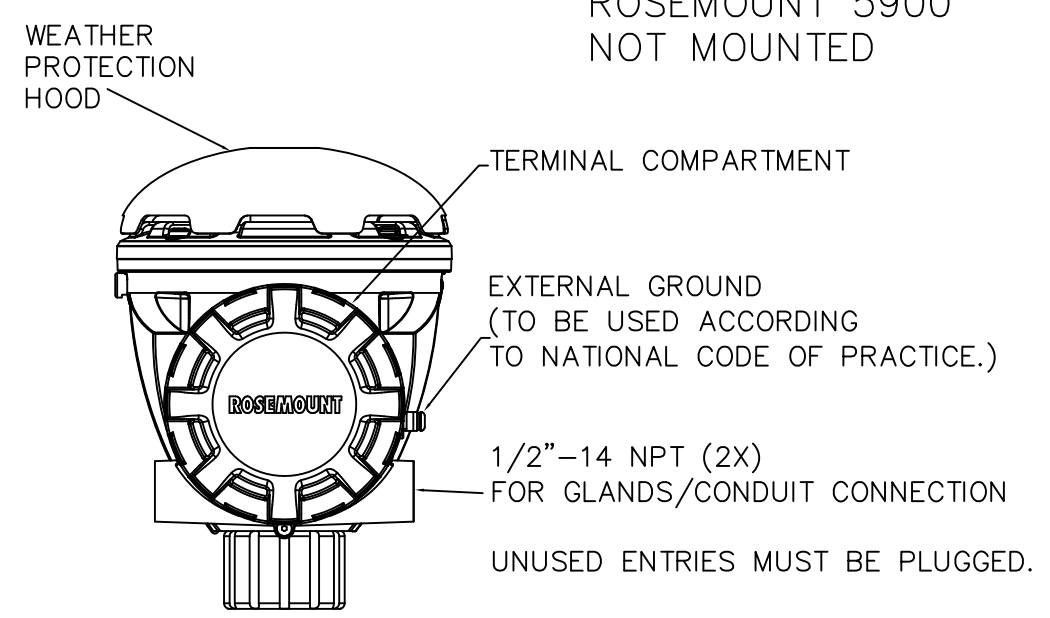
FREE SPACE REQUIREMENT  $\varnothing 550\text{mm}$   
FOR INSTALLATION AND SERVICE



TOP VIEW



ROSEMOUNT 5900 NOT MOUNTED



ROSEMOUNT 5900

1. CHECK SIL SAFETY MANUAL FOR SIL SPECIFIC INSTALLATION REQUIREMENTS.

10	PRESSURE TRANSMITTER (OPTIONAL)	RTR
09	RADAR LEVEL GAUGE	RTR
08	BALL VALVE	RTR
07	CLOSING ACC. TO ANSI B16.5	RTR
06	STILL-PIPE WITH FLANGE	CUSTOMER
05	VESSEL FLANGE	CUSTOMER
04	GASKET, SOFT OR METALLIC TYPE	CUSTOMER
01-03	SCREW/NUT/WASHER ACC. TO ASME B16.5 OR EN1092-1	CUSTOMER
POS	ITEM DESCRIPTION	SUPPLIER

ISSUED BY EMe-MJ	WEEK 1903	PRODUCT CODE 5900	FILE ACAD	INSTALLATION DRAWING TITLE MECHANICAL INSTALLATION DWG 5900 LPG/LNG ANTENNA (PTFE) ATT. TO PIPE FLANGE
APPROVED BY EMe-MH	WEEK 1904	ORIGINAL DWG NO. -	SCALE -	

EMERSON LAYOUTVÄGEN 1, 435 33 MÖLNLYCKE, SWEDEN	1 ST ANGLE 	DOC TYPE	DWG NO.	ISSUE	SHEET
		02	D7000005-480	02	01/01

THE COPYRIGHT/OWNERSHIP OF THIS DOCUMENT IS AND WILL REMAIN OURS. THE DOCUMENT MUST NOT BE USED WITHOUT OUR AUTHORIZATION OR BROUGHT TO THE KNOWLEDGE OF A THIRD PARTY. CONTRAVENTION WILL BE PROSECUTED. ROSEMOUNT TANK RADAR AB, SWEDEN.

FOR MORE INFO. SEE  
Rosemount TankRadar 5900  
INSTALLATION MANUAL