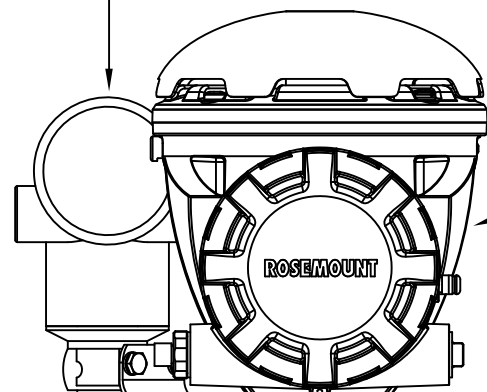


FREE SPACE REQUIREMENT $\varnothing 550\text{mm}$
FOR INSTALLATION AND SERVICE

ITEM 9



ITEM 08

ROSEMOUNT

FREE SPACE REQUIREMENT $\varnothing 1000\text{ mm}$
FOR INSTALLATION AND SERVICE

ITEM 07

ITEM 06

ITEM 01-03

ITEM 04

STILL PIPE FLANGE MUST BE
HORIZONTAL WITHIN 1°

ITEM 05

FOR DETAILED REQUIREMENTS
ON STILL PIPE INSTALLATION
AND VERIFICATION PIN SEE DWG:
D7000001-466

MAX 2 mm

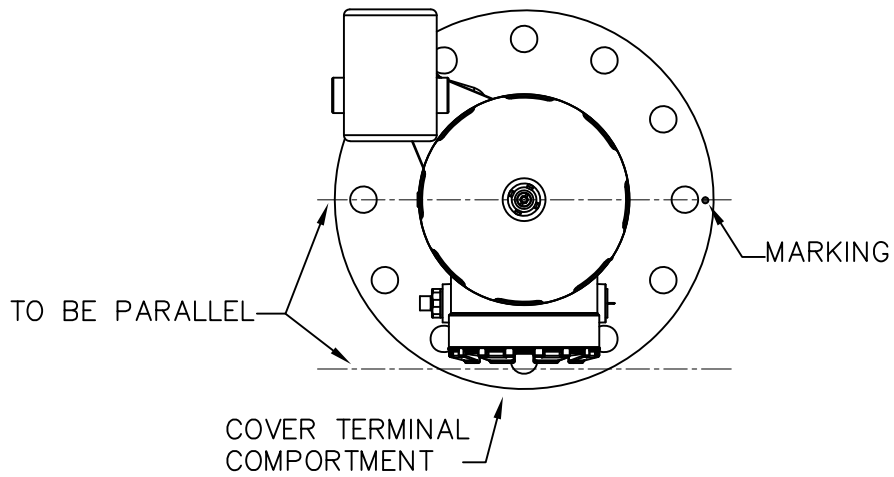
VERIFICATION PIN

STILL PIPE MUST BE VERTICAL
WITHIN 0,5°

MAX PRODUCT LEVEL

FOR 4" CONE ANTENNA: 1200 mm
FOR 6" CONE ANTENNA: 1800 mm

LENGTH OF 4" CONE ANTENNA: 752mm
LENGTH OF 6" CONE ANTENNA: 1375mm



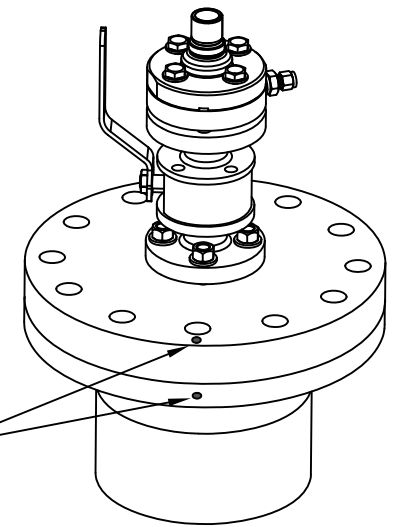
TOP VIEW

TO BE PARALLEL

COVER TERMINAL
COMPARTMENT

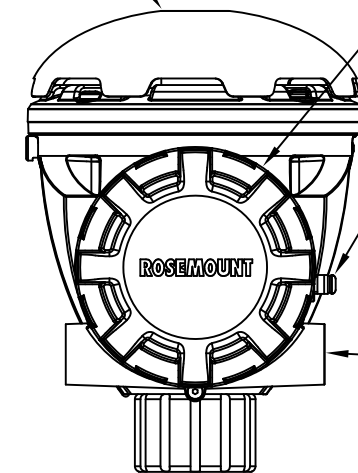
MARKING

MARKINGS TO BE ALIGNED



ROSEMOUNT 5900
NOT MOUNTED

WEATHER
PROTECTION
HOOD



ROSEMOUNT 5900

TERMINAL COMPARTMENT

EXTERNAL GROUND
(TO BE USED ACCORDING
TO NATIONAL CODE OF
PRACTICE.)

1/2"-14 NPT (2X)
FOR GLANDS/CONDUIT
CONNECTION
UNUSED ENTRIES MUST
BE PLUGGED.

1. CHECK SIL SAFETY MANUAL FOR SIL SPECIFIC INSTALLATION REQUIREMENTS.

09	PRESSURE TRANSMITTER (OPTIONAL)	RTR
08	RADAR LEVEL GAUGE	RTR
07	BALL VALVE	RTR
06	CLOSING ACC. TO ANSI B16.5	RTR
05	VESSEL FLANGE	CUSTOMER
04	GASKET, SOFT OR METALLIC TYPE	CUSTOMER
01-03	SCREW/NUT/WASHER ACC. TO ASME B16.5 OR EN1092-1	CUSTOMER
POS	ITEM DESCRIPTION	SUPPLIER

ISSUED BY EMe-MJ	WEEK 1903	PRODUCT CODE 5900	FILE ACAD	INSTALLATION DRAWING TITLE MECHANICAL INSTALLATION DWG 5900 LPG/LNG ANTENNA (PTFE) ATTACHED TO VESSEL BOTTOM
APPROVED BY EMe-MH	WEEK 1904	ORIGINAL DWG NO. -	SCALE -	

	LAYOUTVÄGEN 1, 435 33 MÖLNLYCKE, SWEDEN	1 ST ANGLE 	DOC TYPE 02	DWG NO. D7000005-482	ISSUE 02	SHEET 01/01
--	--	----------------	----------------	-------------------------	-------------	----------------

THE COPYRIGHT/OWNERSHIP OF THIS DOCUMENT IS AND WILL REMAIN OURS. THE DOCUMENT MUST NOT BE USED WITHOUT OUR AUTHORIZATION OR BROUGHT TO THE KNOWLEDGE OF A THIRD PARTY. CONTRAVENTION WILL BE PROSECUTED. ROSEMOUNT TANK RADAR AB, SWEDEN.

FOR MORE INFO. SEE
Rosemount TankRadar 5900
INSTALLATION MANUAL