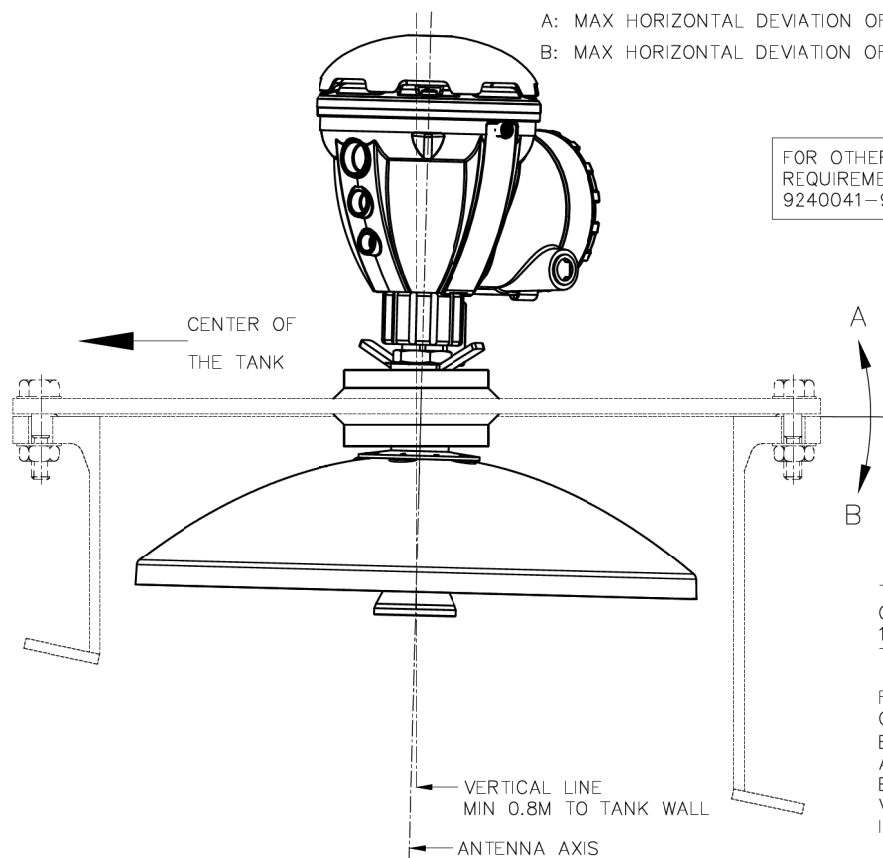


ANTENNA INSTALLED ON FIXED ROOF TANK.

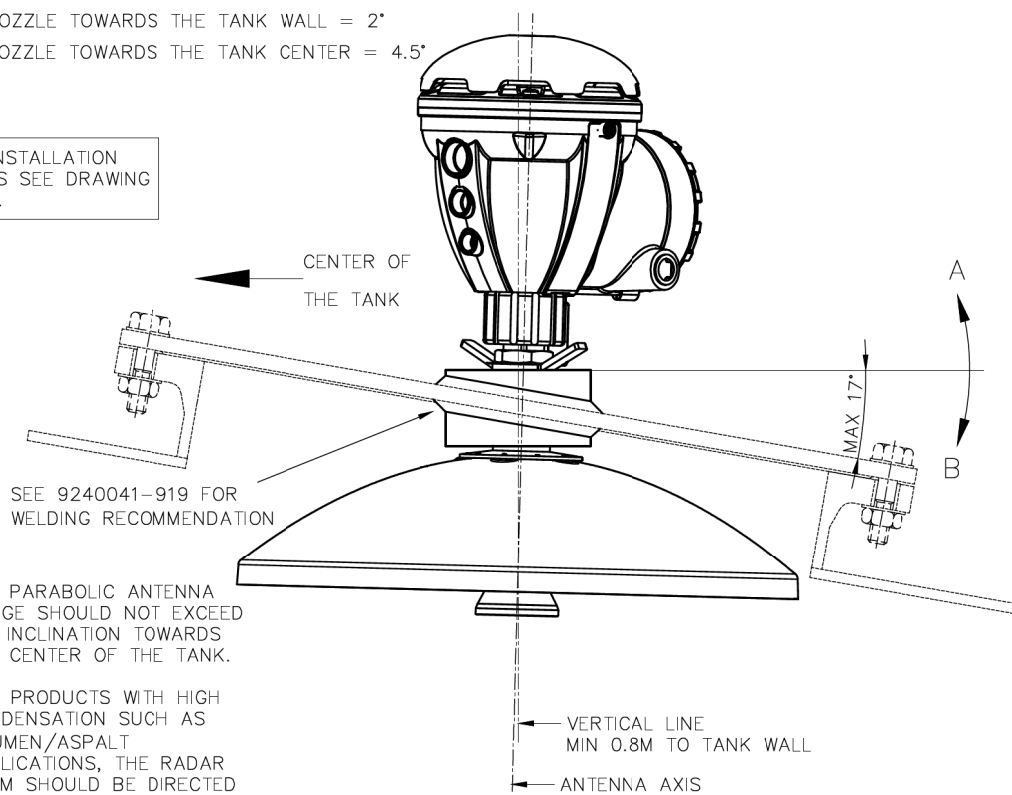
HORIZONTAL NOZZLE



A: MAX HORIZONTAL DEVIATION OF NOZZLE TOWARDS THE TANK WALL = 2°
 B: MAX HORIZONTAL DEVIATION OF NOZZLE TOWARDS THE TANK CENTER = 4.5°

FOR OTHER INSTALLATION REQUIREMENTS SEE DRAWING 9240041-919.

NOZZLE WITH FALL

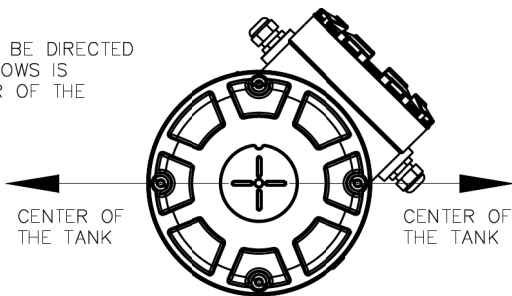


THE PARABOLIC ANTENNA GAUGE SHOULD NOT EXCEED 1.5° INCLINATION TOWARDS THE CENTER OF THE TANK.

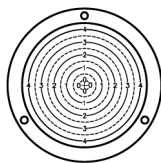
FOR PRODUCTS WITH HIGH CONDENSATION SUCH AS BITUMEN/ASPALT APPLICATIONS, THE RADAR BEAM SHOULD BE DIRECTED VERTICALLY WITHOUT ANY INCLINATION.

VIEW WITHOUT WEATHER PROTECTION

THE RADAR LEVEL GAUGE MUST BE DIRECTED SO THAT ONE OF THE TWO ARROWS IS DIRECTED TOWARDS THE CENTER OF THE TANK WITH $\pm 5^\circ$



WATER LEVEL (OPTIONAL SUPPLIED BY RTR) TO BE USED ON TOP OF THE COVER.

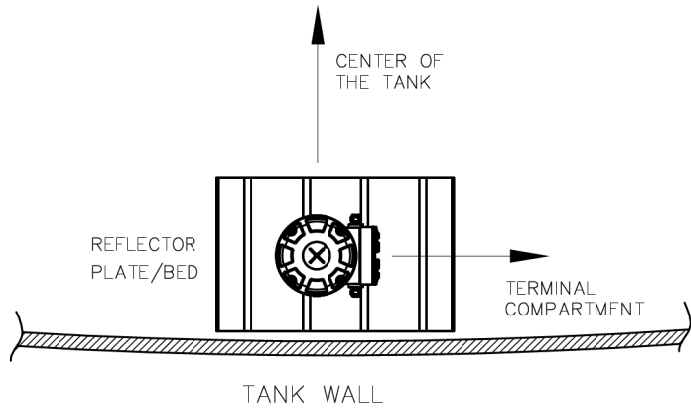


ISSUED BY EMe-BL	WEEK 1032	PRODUCT CODE 5900	FILE ACAD	INSTALLATION DRAWING TITLE MECHANICAL INSTALLATION DWG PARABOLIC ANTENNA ORIENTATION	
APPROVED BY EMe-MH	WEEK 1043	ORIGINAL DWG NO. -	SCALE -	DOC TYPE 2	DWG NO. D9240041-918
ROSEMOUNT Tank Gauging			1 ST ANGLE -	ISSUE 02	SHEET 01/02
<small>THE COPYRIGHT/OWNERSHIP OF THIS DOCUMENT IS AND WILL REMAIN OURS. THE DOCUMENT MUST NOT BE USED WITHOUT OUR AUTHORIZATION OR BROUGHT TO THE KNOWLEDGE OF A THIRD PARTY. CONTRAVENTION WILL BE PROSECUTED. ROSEMOUNT TANK RADAR AB, SWEDEN.</small>					

ANTENNA INSTALLED ON FLOATING ROOF TANK WITH ROOF REFLECTOR.

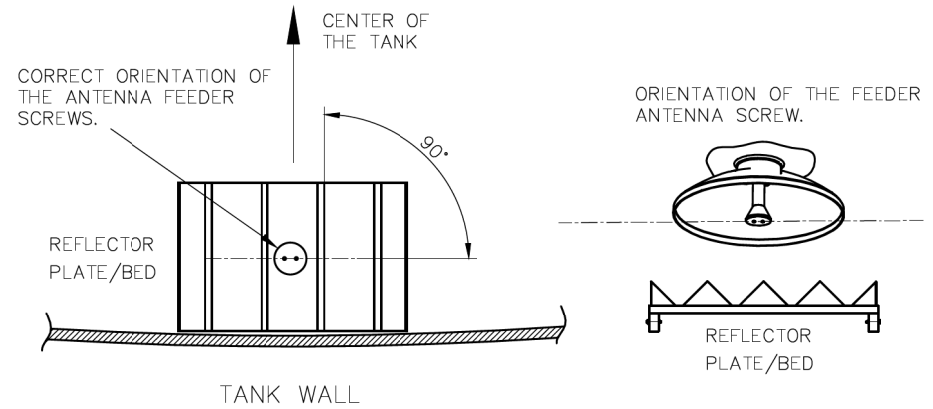
VIEW FROM ABOVE

USING THE 5900 GAUGE AS REFERENCE TO GET THE RIGHT ORIENTATION RELATIVE TO THE REFLECTOR PLATE.

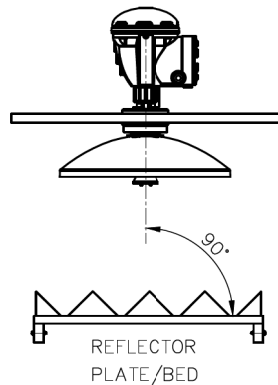


VIEW FROM ABOVE

USING THE FEEDER SCREW AS REFERENCE TO GET THE RIGHT ORIENTATION RELATIVE TO THE REFLECTOR PLATE. THIS METHOD CAN ALSO BE USED WHEN THE PARABOLIC ANTENNA IS MOUNTED ON A REX OR A PRO.



0° INCLINATION FOR BEST PERFORMANCE



ISSUED BY EMe-BL	WEEK 1032	PRODUCT CODE 5900	FILE ACAD	INSTALLATION DRAWING TITLE	
APPROVED BY EMe-MH	WEEK 1043	ORIGINAL DWG NO. -	SCALE -	MECHANICAL INSTALLATION DWG PARABOLIC ANTENNA ORIENTATION	
ROSEMOUNT Tank Gauging			1 ST ANGLE 	DOC TYPE 2	DWG NO. D9240041-918
THE COPYRIGHT/OWNERSHIP OF THIS DOCUMENT IS AND WILL REMAIN OURS. THE DOCUMENT MUST NOT BE USED WITHOUT OUR AUTHORIZATION OR BROUGHT TO THE KNOWLEDGE OF A THIRD PARTY. CONTRAVENTION WILL BE PROSECUTED. ROSEMOUNT TANK RADAR AB, SWEDEN.				ISSUE 02	SHEET 02/02