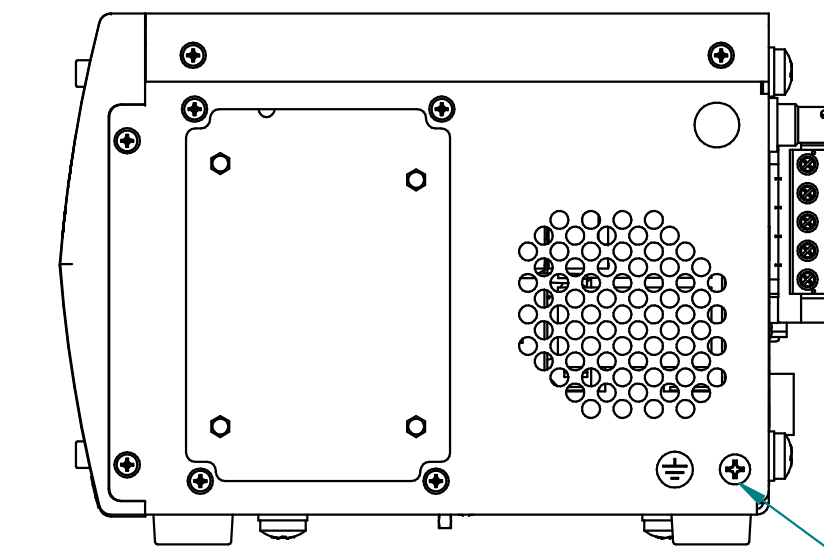
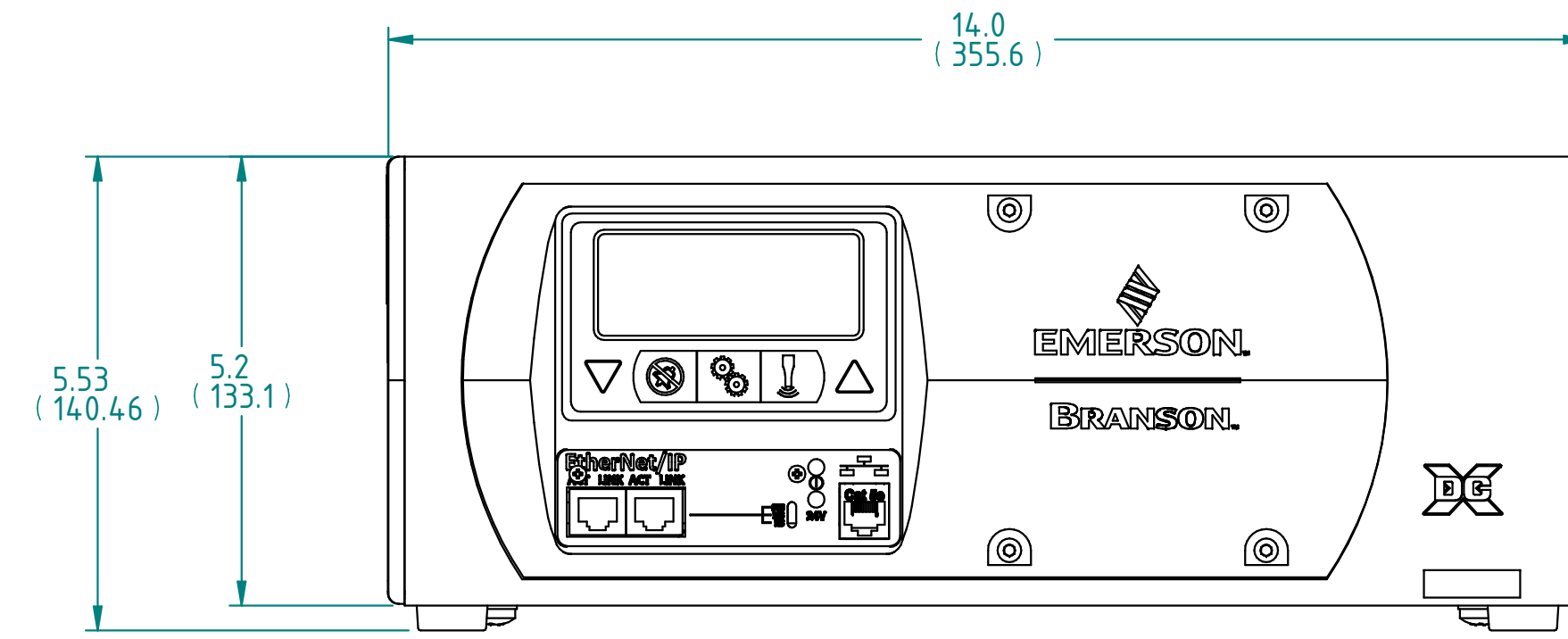
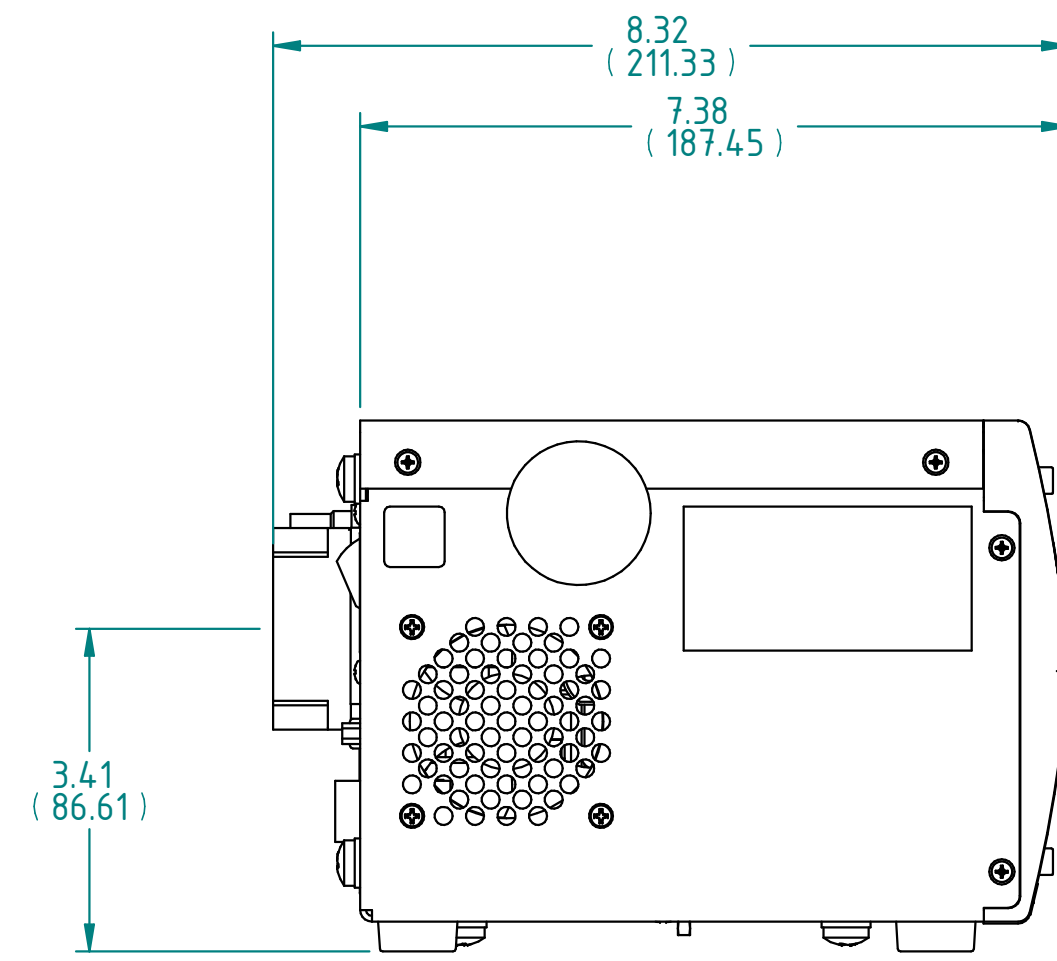
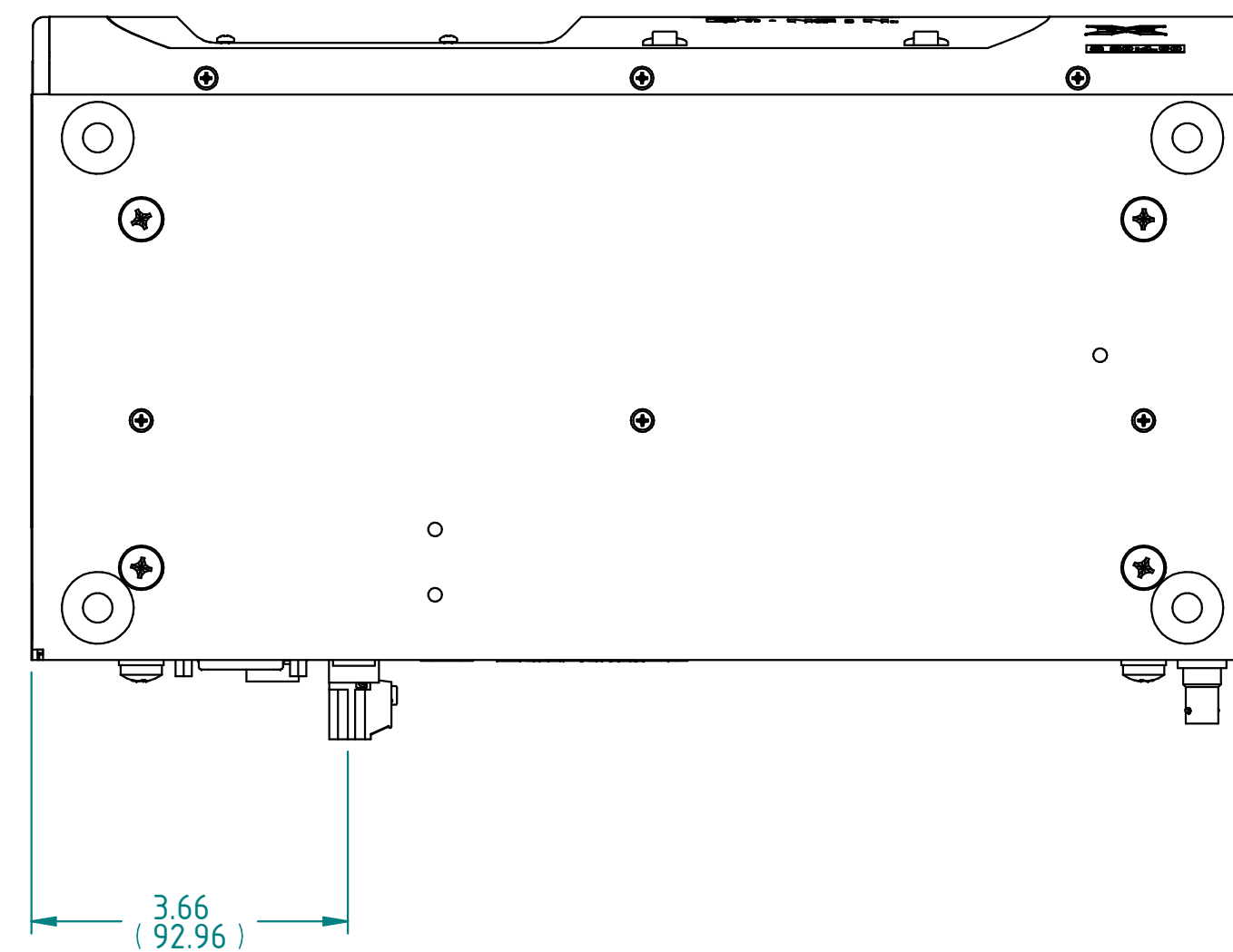
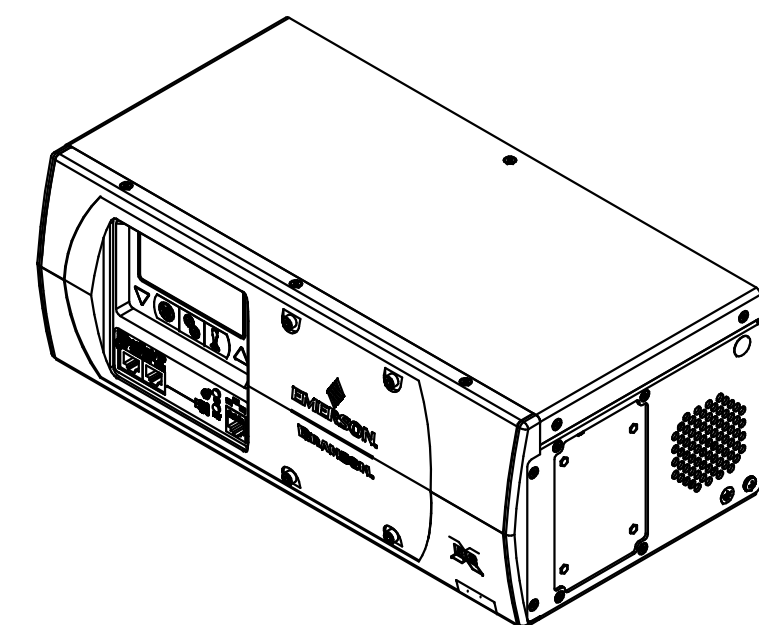


REVISIONS						
ZONE	REV	DESCRIPTION	DATE	ECN/ECO	DRAWN	APPR.
ALL	01	UPDATED PER IMPACT ANALYSIS	1/13/23	104476	JCN	HTR



GROUND SCREW.

GROUND SCREW.



- NOTES: UNLESS OTHERWISE SPECIFIED
1. ALL DIMENSIONS ARE APPROXIMATE.
  2. 3.0in (76mm) RECOMMENDED CLEARANCE ON BOTH SIDES FOR THE FAN.
  3. 5.0in (127mm) RECOMMENDED CLEARANCE IN THE BACK FOR CABLES.

<small>UNLESS OTHERWISE SPECIFIED DIMENSIONS ARE IN INCHES AND TOLERANCES ARE: 2 PLACE DECIMALS ±.015 3 PLACE DECIMALS ±.005 4 PLACE DECIMALS ±.0005 ANGLES ±1° FRACTIONS 1/32 SURFACE FINISH</small> <b>GD &amp; T Standard ASME Y 14.5</b> <small>SECONDARY DIMENSIONS ARE PROVIDED FOR REFERENCE ONLY</small>	<small>This PROPRIETARY Document is property of Branson Ultrasonics Corp., Brookfield, CT. It is confidential in nature, non-transferable, and issued with the clear understanding that it is not traced or copied without permission and is returnable upon demand.</small>		<small>MATERIAL: N/A</small>																											
	<small>Article or material must comply with requirements stipulated by RoHS in its current version.</small>		<small>Material Spec. N/A</small>																											
	<small>3RD ANGLE PROJECTION</small> 		<small>FINISH: N/A</small>		<table border="1"> <thead> <tr> <th>NAME</th> <th>DATE</th> </tr> </thead> <tbody> <tr> <td>dsulik</td> <td>3/06/13</td> </tr> <tr> <td>ngaler</td> <td>3/06/13</td> </tr> <tr> <td>dsulik</td> <td>3/06/13</td> </tr> </tbody> </table>		NAME	DATE	dsulik	3/06/13	ngaler	3/06/13	dsulik	3/06/13	<table border="1"> <thead> <tr> <th colspan="2">TITLE</th> </tr> </thead> <tbody> <tr> <td colspan="2">OUTLINE DCX A HOR SM</td> </tr> <tr> <td>AGENCY PART</td> <td>NO</td> </tr> <tr> <td>BUC CLASSIFICATION</td> <td>3 Important</td> </tr> <tr> <td>IP CLASSIFICATION</td> <td>NO</td> </tr> <tr> <td>WEIGHT</td> <td>0.000 lbm</td> </tr> <tr> <td>SIZE/DWG NO</td> <td>D 931-132-1821</td> </tr> </tbody> </table>		TITLE		OUTLINE DCX A HOR SM		AGENCY PART	NO	BUC CLASSIFICATION	3 Important	IP CLASSIFICATION	NO	WEIGHT	0.000 lbm	SIZE/DWG NO	D 931-132-1821
	NAME	DATE																												
dsulik	3/06/13																													
ngaler	3/06/13																													
dsulik	3/06/13																													
TITLE																														
OUTLINE DCX A HOR SM																														
AGENCY PART	NO																													
BUC CLASSIFICATION	3 Important																													
IP CLASSIFICATION	NO																													
WEIGHT	0.000 lbm																													
SIZE/DWG NO	D 931-132-1821																													
<small>SCALE: 1:2 SHEET 1 OF 1</small>		<small>Finish Spec. N/A</small>		<small>REV 01</small>																										

SOLID EDGE