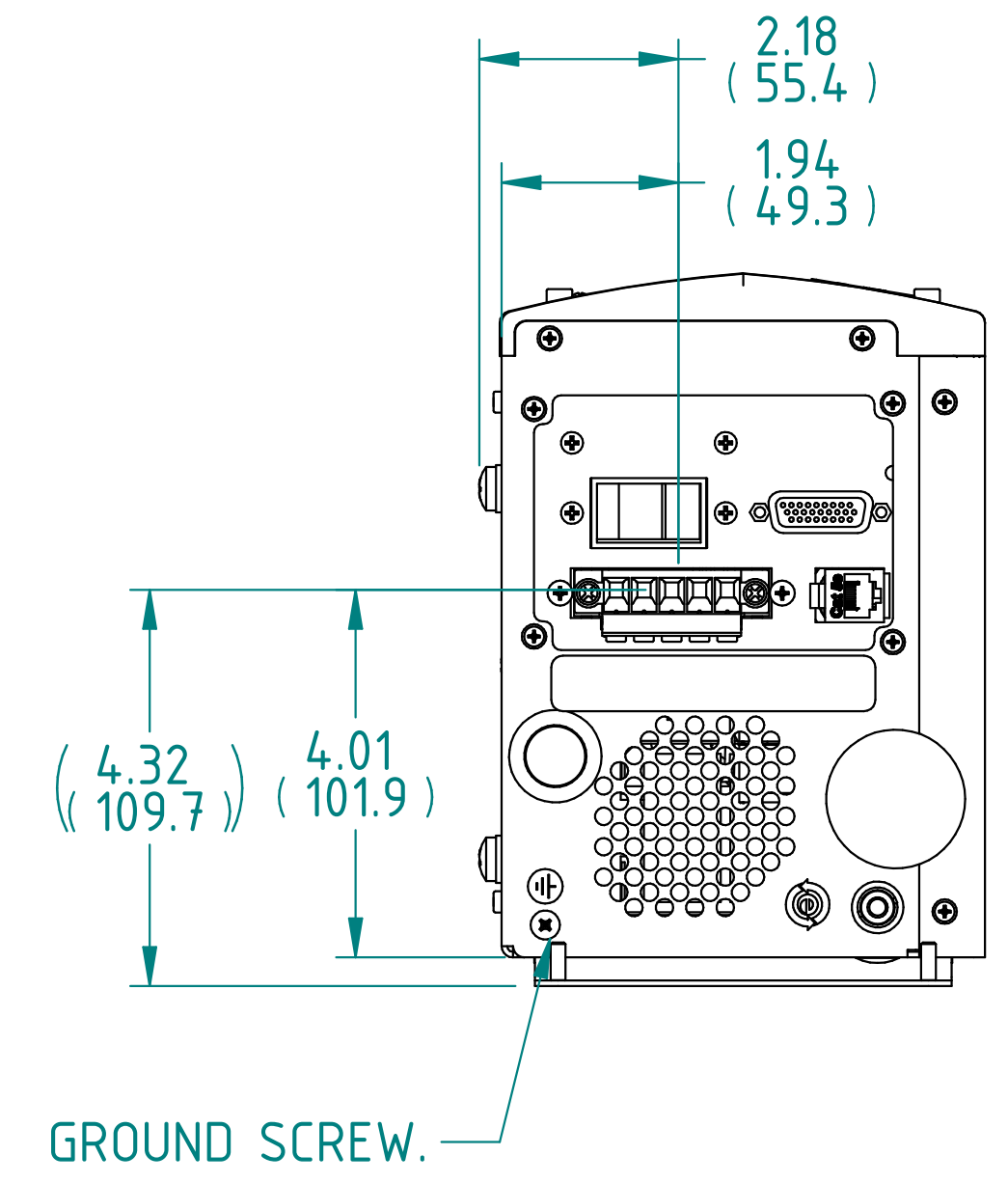
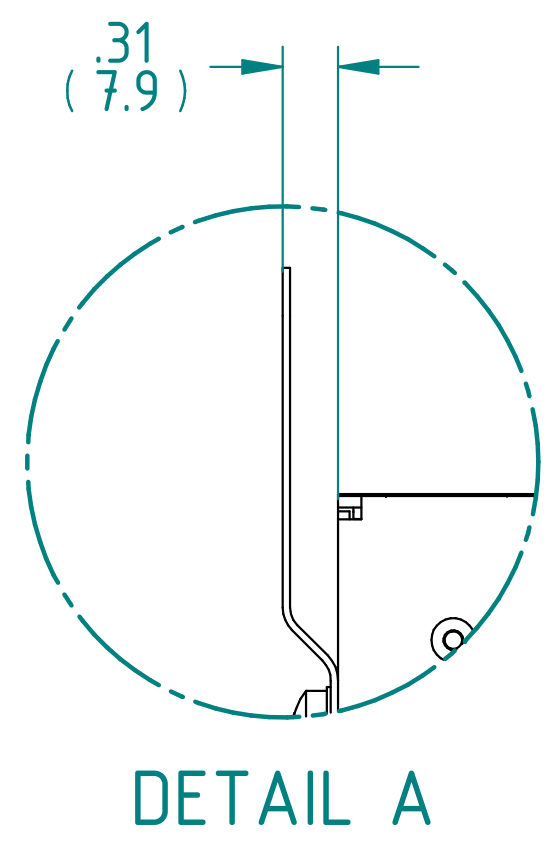
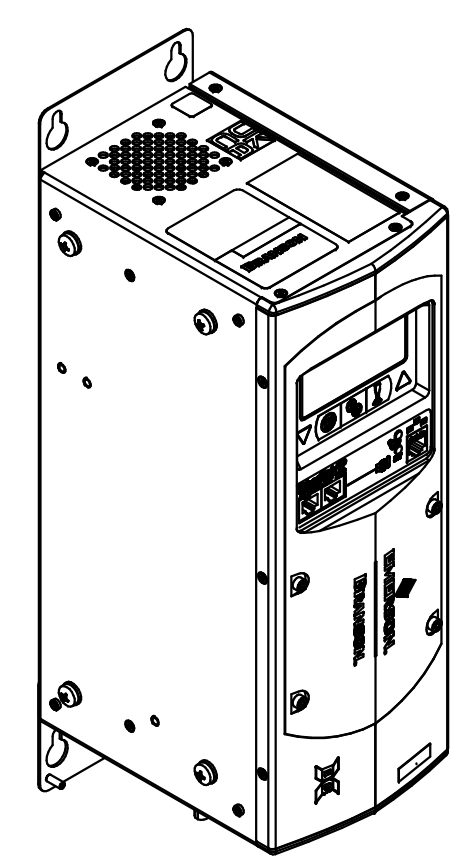
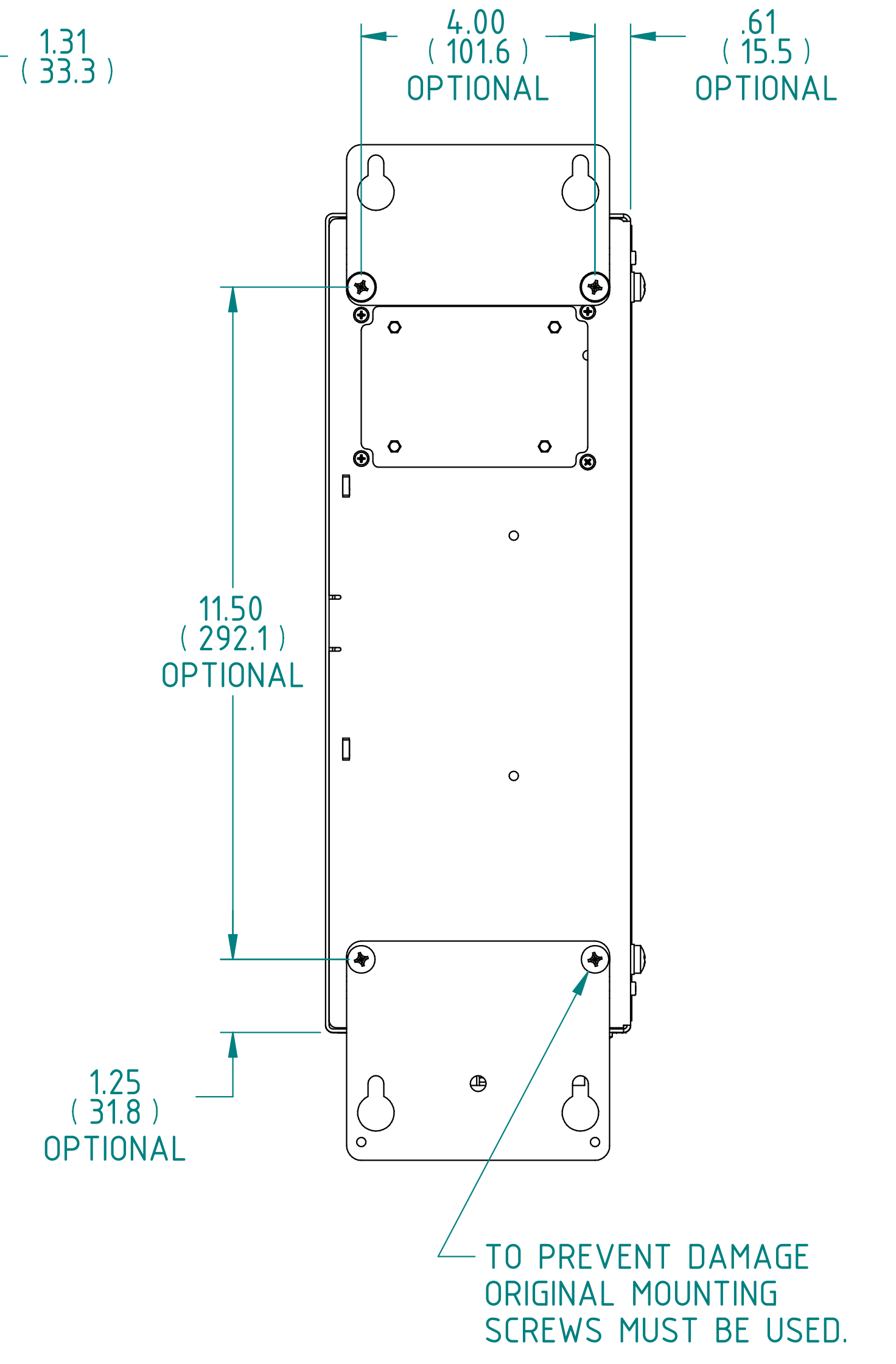
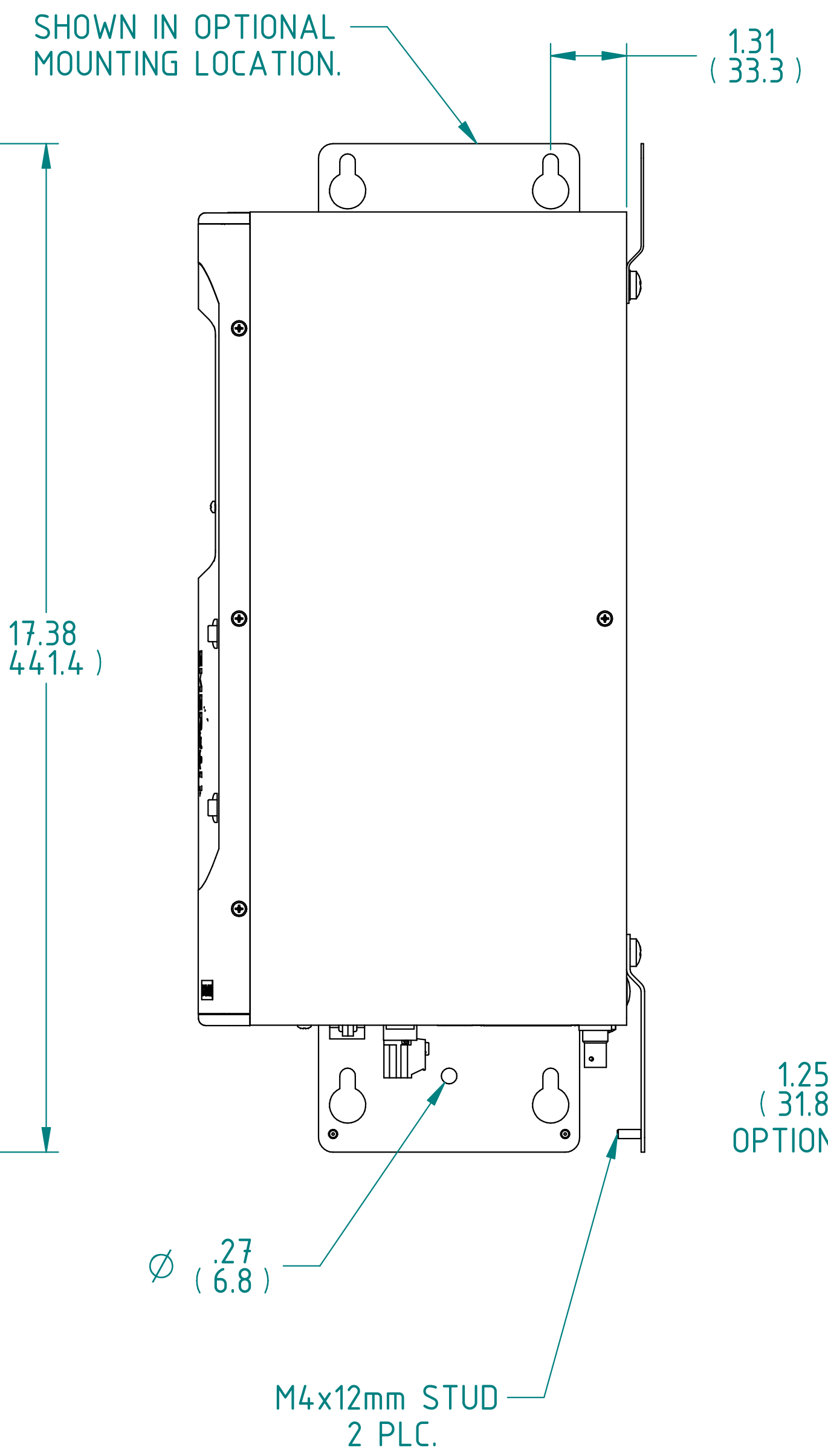
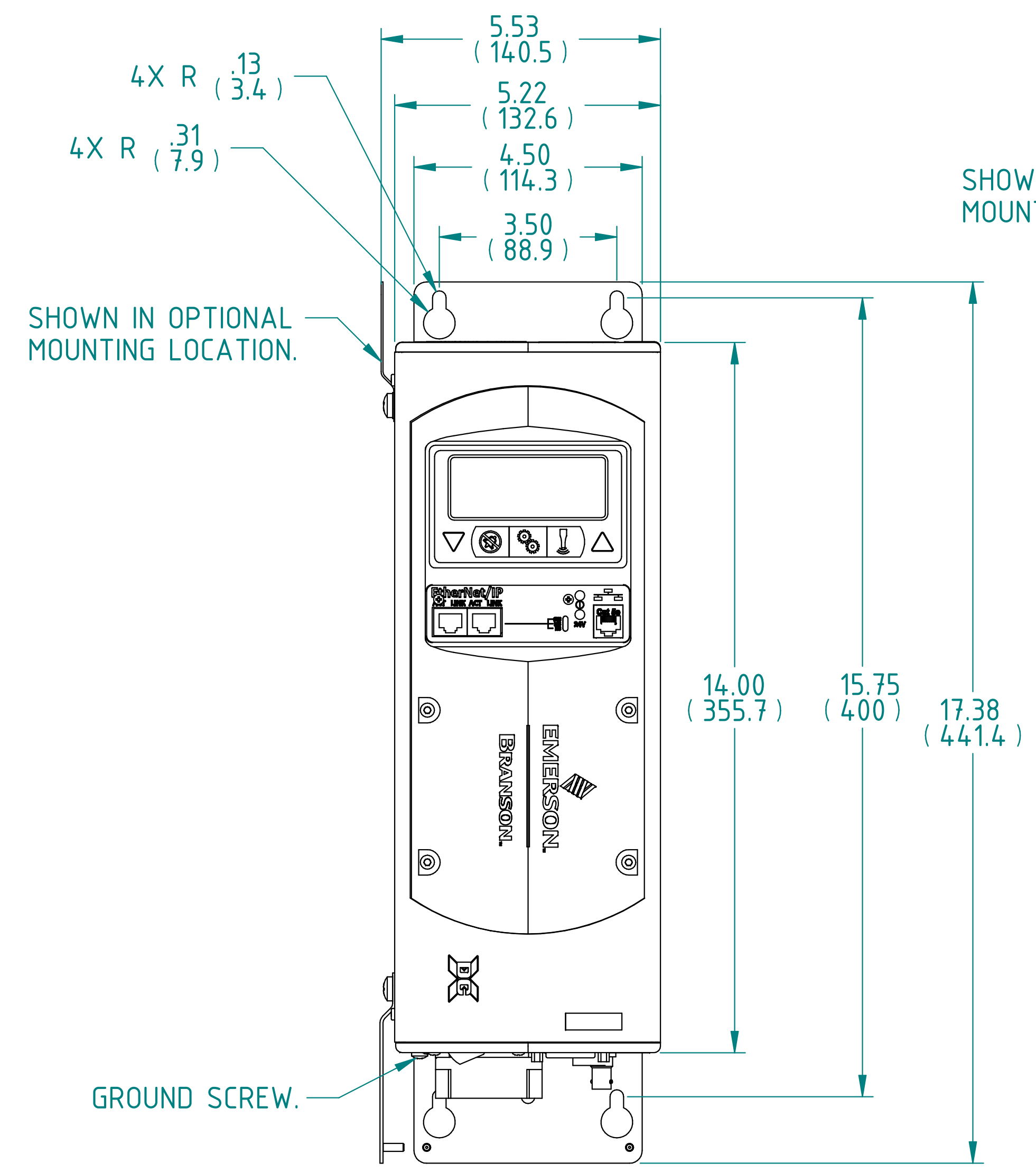
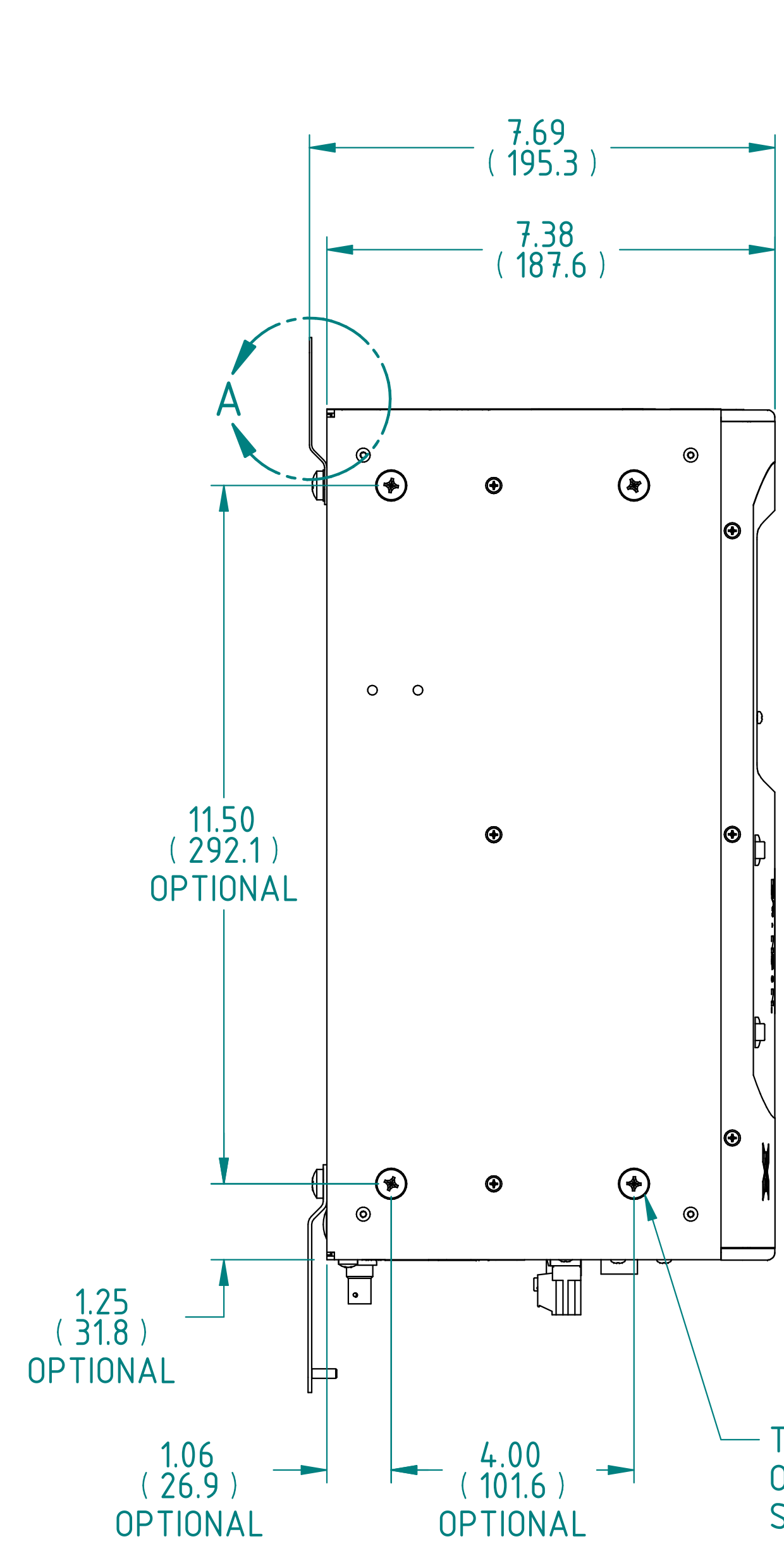


REVISIONS					
ZONE	REV	DESCRIPTION	DATE	ECN/ECO	APPR.
C4-C5, G6-H8	01	UPDATED TO SHOW THE CHANGES OF BOTTOM BRACKET; ADDED DIMENSION 5.53 & .27; ADDED 4X TO DIMENSIONS .13 & .31; CORRECTED MINOR DETAILS.	2/7/2018	22264	AAMG JVL
ALL	02	UPDATED PER IMPACT ANALYSIS	1/13/2023	104476	JCN HTR



- NOTES: UNLESS OTHERWISE SPECIFIED
1. ALL DIMENSIONS ARE APPROXIMATE.
  2. 3.0in (76mm) RECOMMENDED CLEARANCE ON THE TOP FOR FAN.
  3. 5.0in (127mm) RECOMMENDED CLEARANCE ON THE BOTTOM FOR CABLES.

<small>UNLESS OTHERWISE SPECIFIED DIMENSIONS ARE IN INCHES AND TOLERANCES ARE: 2 PLACE DECIMALS ±.005 3 PLACE DECIMALS ±.0005 4 PLACE DECIMALS ±.00005 ANGLES ±1° FRACTIONS 1/32 SURFACE FINISH</small> <b>GD &amp; T Standard ASME Y 14.5</b> <small>SECONDARY DIMENSIONS ARE PROVIDED FOR REFERENCE ONLY.</small>	<small>This PROPRIETARY Document is property of Branson Ultrasonics Corp., Brookfield, CT. It is confidential in nature, non-transferable, and issued with the clear understanding that it is not traced or copied without permission and is returnable upon demand.</small>		<small>MATERIAL: N/A</small>			<b>BRANSON</b>	
	<small>Article or material must comply with requirements stipulated by RoHS in its current version.</small>		<small>Material Spec. N/A</small>			<b>TITLE</b> <b>OUTLINE DCX A VRT SM</b>	
	<small>3RD ANGLE PROJECTION</small>		<small>FINISH: N/A</small>			<small>DRAWN</small> dsulik 3/08/13 <small>CHECKED</small> ngaler 3/08/13 <small>APPROVED</small> dsulik 3/08/13	<small>AGENCY PART</small> NO <small>BUCL CLASSIFICATION</small> 3 Important <small>IP CLASSIFICATION</small> NO <small>WEIGHT</small> 0.000 lbm
	<small>SCALE: 1:2</small>		<small>SHEET 1 OF 1</small>			<small>SIZE/DWG NO</small> <b>D 931-132-1828</b>	<small>REV</small> <b>02</b>

SOLID EDGE