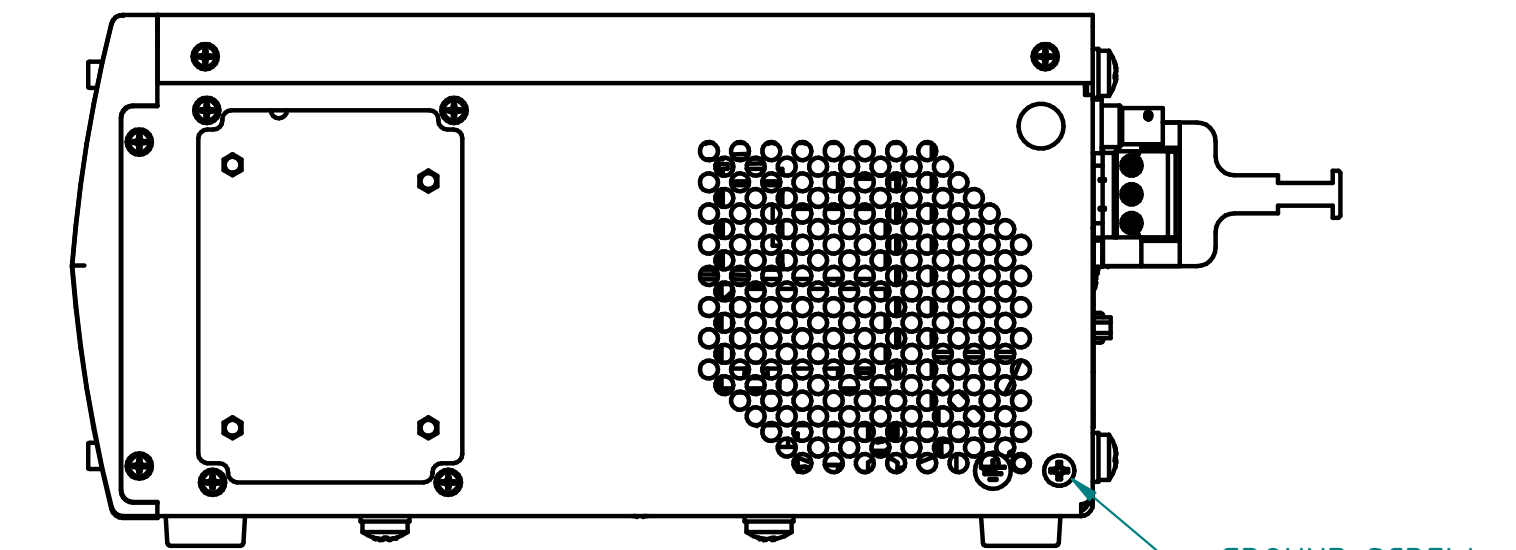
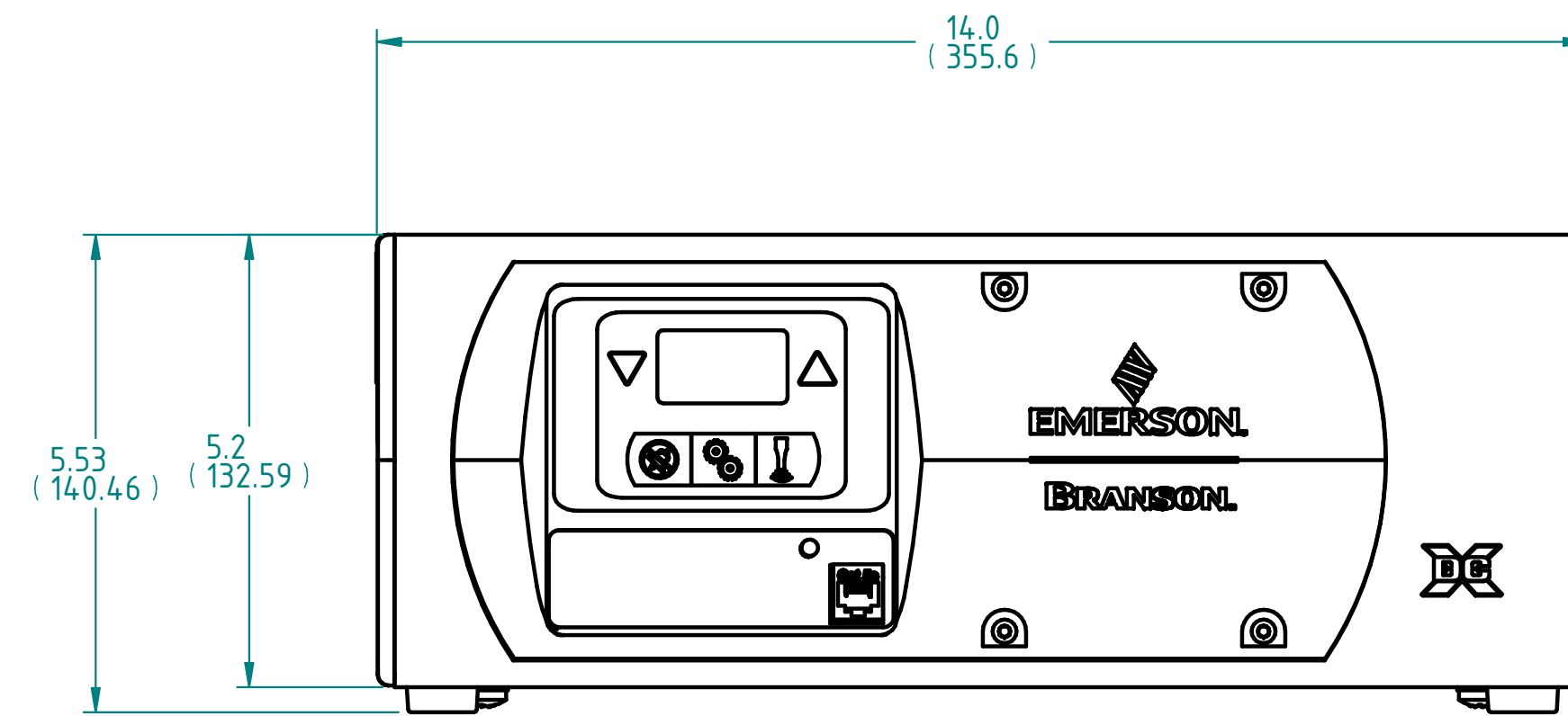
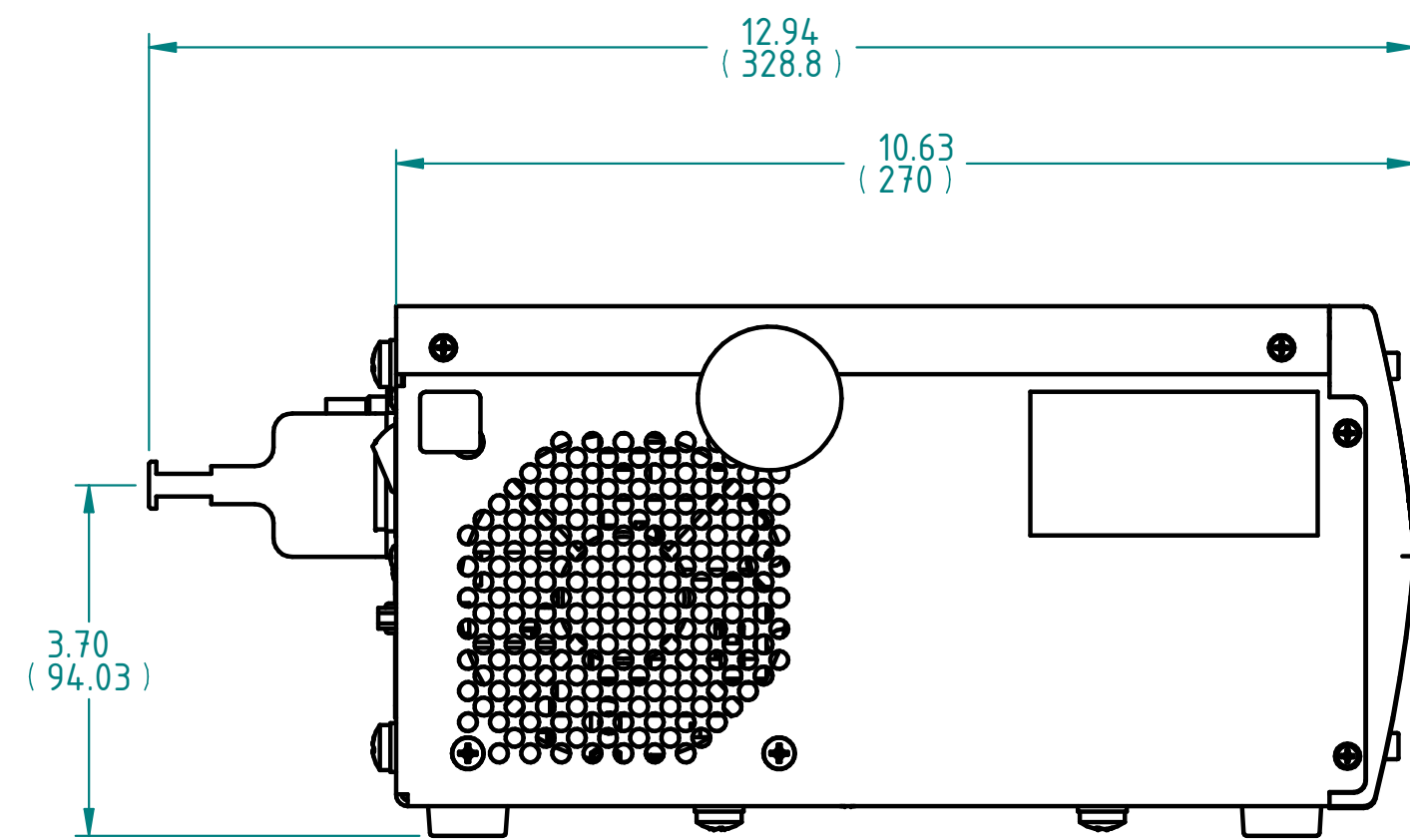
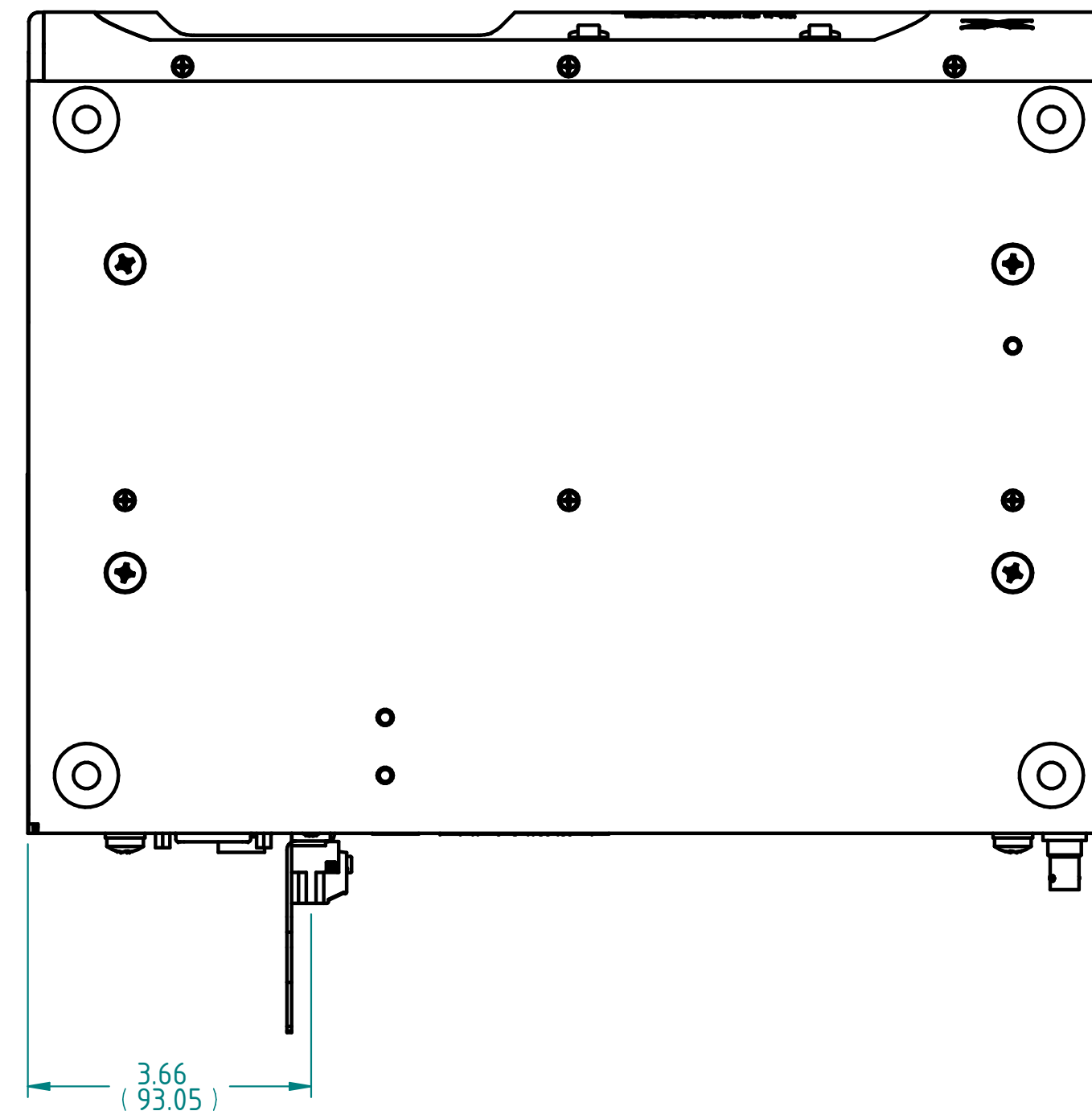
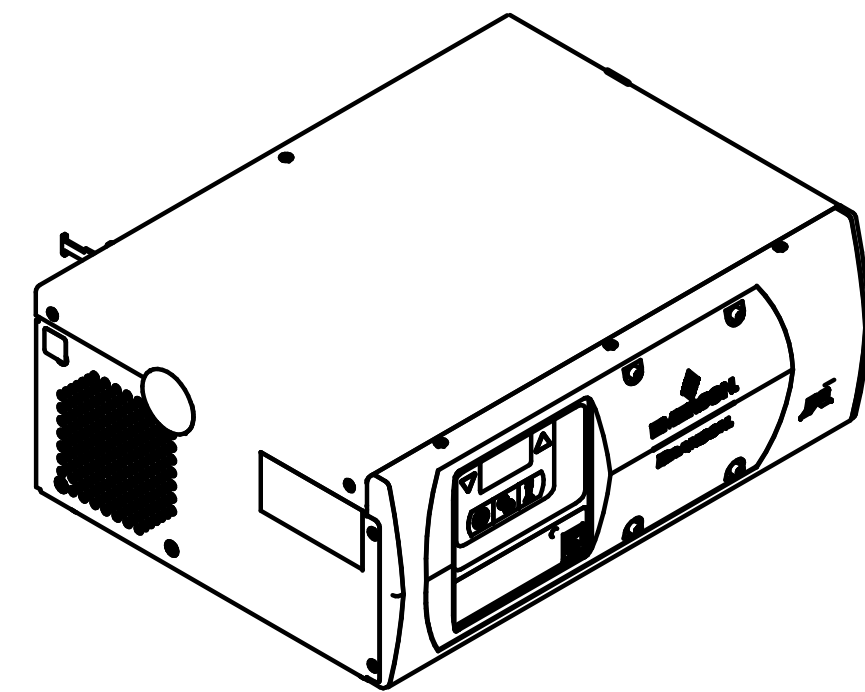


REVISIONS						
ZONE	REV	DESCRIPTION	DATE	ECN/ECO	DRAWN	APPR.
ALL	01	UPDATED PER IMPACT ANALYSIS	1/13/23	104476	JCN	HTR
ALL	02	UPDATED PER IMPACT ANALYSIS	3/8/23	104618	JCN	HTR



GROUND SCREW.

GROUND SCREW.



- NOTES: UNLESS OTHERWISE SPECIFIED
1. ALL DIMENSIONS ARE APPROXIMATE.
 2. 3.0in (76mm) RECOMMENDED CLEARANCE ON BOTH SIDES FOR THE FAN.
 3. 5.0in (127mm) RECOMMENDED CLEARANCE IN THE BACK FOR CABLES.

<small>UNLESS OTHERWISE SPECIFIED DIMENSIONS ARE IN INCHES AND TOLERANCES ARE: 2 PLACE DECIMALS ±0.05 3 PLACE DECIMALS ±0.005 4 PLACE DECIMALS ±0.0005 ANGLES ±1° FRACTIONS 1/32 SURFACE FINISH</small> GD & T Standard ASME Y 14.5 <small>SECONDARY DIMENSIONS ARE PROVIDED FOR REFERENCE ONLY</small>	<small>This PROPRIETARY Document is property of Branson Ultrasonics Corp., Brookfield, CT. It is confidential in nature, non-transferable, and issued with the clear understanding that it is not traced or copied without permission and is returnable upon demand.</small>		<small>MATERIAL: N/A</small>																											
	<small>Article or material must comply with requirements stipulated by RoHS in its current version.</small>		<small>Material Spec. N/A</small>																											
	<small>3RD ANGLE PROJECTION</small> 		<small>FINISH: N/A</small>		<table border="1"> <thead> <tr> <th>NAME</th> <th>DATE</th> </tr> </thead> <tbody> <tr> <td>JFBII</td> <td>12/01/11</td> </tr> <tr> <td>E. R.</td> <td>12/01/11</td> </tr> <tr> <td>JFBII</td> <td>12/01/11</td> </tr> </tbody> </table>		NAME	DATE	JFBII	12/01/11	E. R.	12/01/11	JFBII	12/01/11	<table border="1"> <thead> <tr> <th colspan="2">TITLE</th> </tr> </thead> <tbody> <tr> <td colspan="2">OUTLINE DCX STANDARD HOR LG</td> </tr> <tr> <td>AGENCY PART</td> <td>NO</td> </tr> <tr> <td>IPC CLASSIFICATION</td> <td>3 Important</td> </tr> <tr> <td>IP CLASSIFICATION</td> <td>NO</td> </tr> <tr> <td>WEIGHT</td> <td>0.000 lbm</td> </tr> <tr> <td>SIZE/DWG NO</td> <td>931-132-1793</td> </tr> </tbody> </table>		TITLE		OUTLINE DCX STANDARD HOR LG		AGENCY PART	NO	IPC CLASSIFICATION	3 Important	IP CLASSIFICATION	NO	WEIGHT	0.000 lbm	SIZE/DWG NO	931-132-1793
	NAME	DATE																												
JFBII	12/01/11																													
E. R.	12/01/11																													
JFBII	12/01/11																													
TITLE																														
OUTLINE DCX STANDARD HOR LG																														
AGENCY PART	NO																													
IPC CLASSIFICATION	3 Important																													
IP CLASSIFICATION	NO																													
WEIGHT	0.000 lbm																													
SIZE/DWG NO	931-132-1793																													
<small>Finish Spec. N/A</small>		<small>SCALE: 1:2 SHEET 1 OF 1</small>		<small>Error: No reference -</small>		<small>REV</small> 02																								

SOLID EDGE