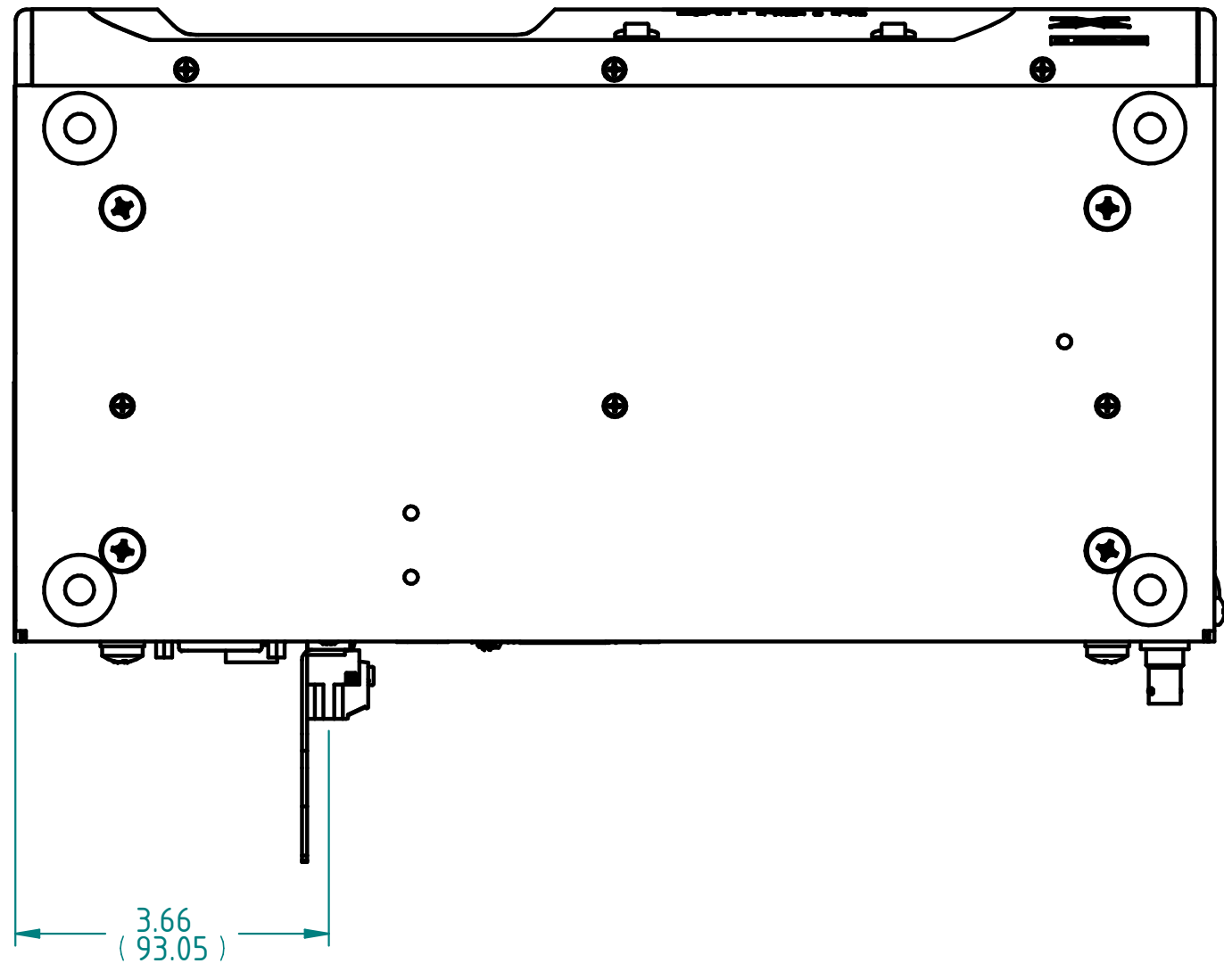
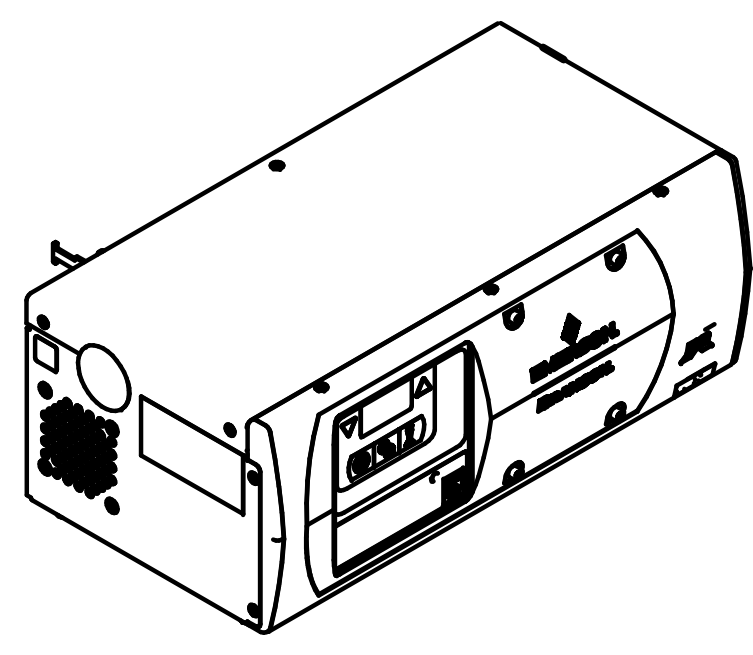
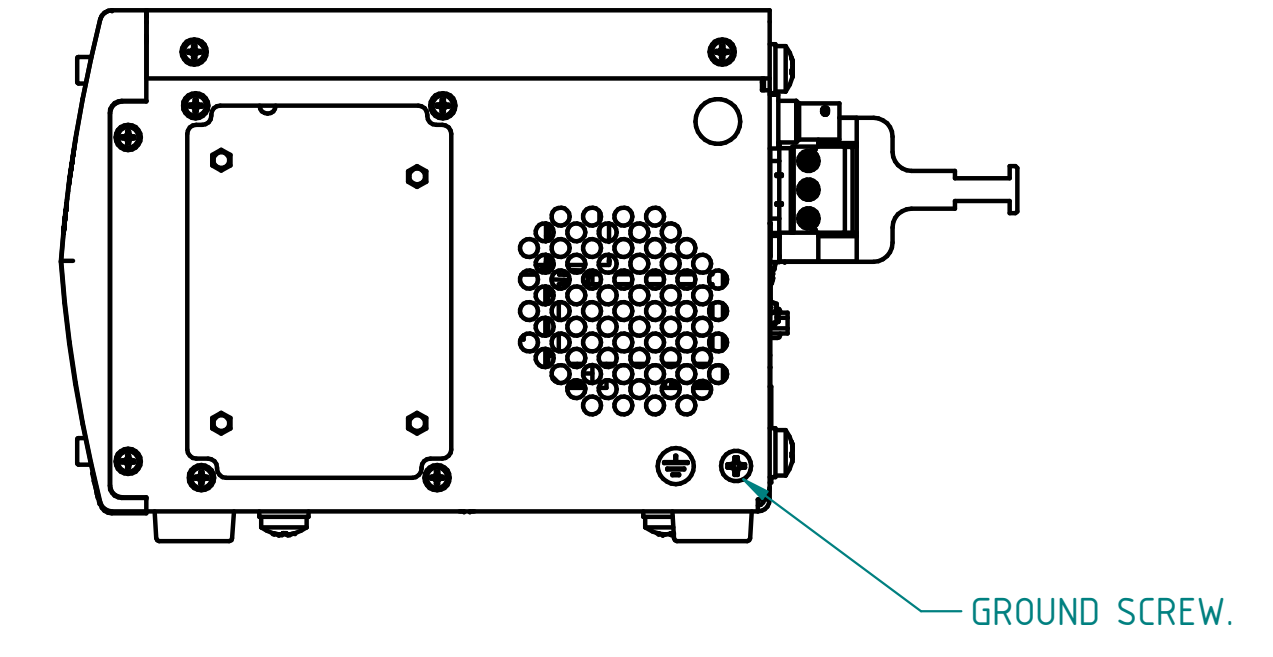
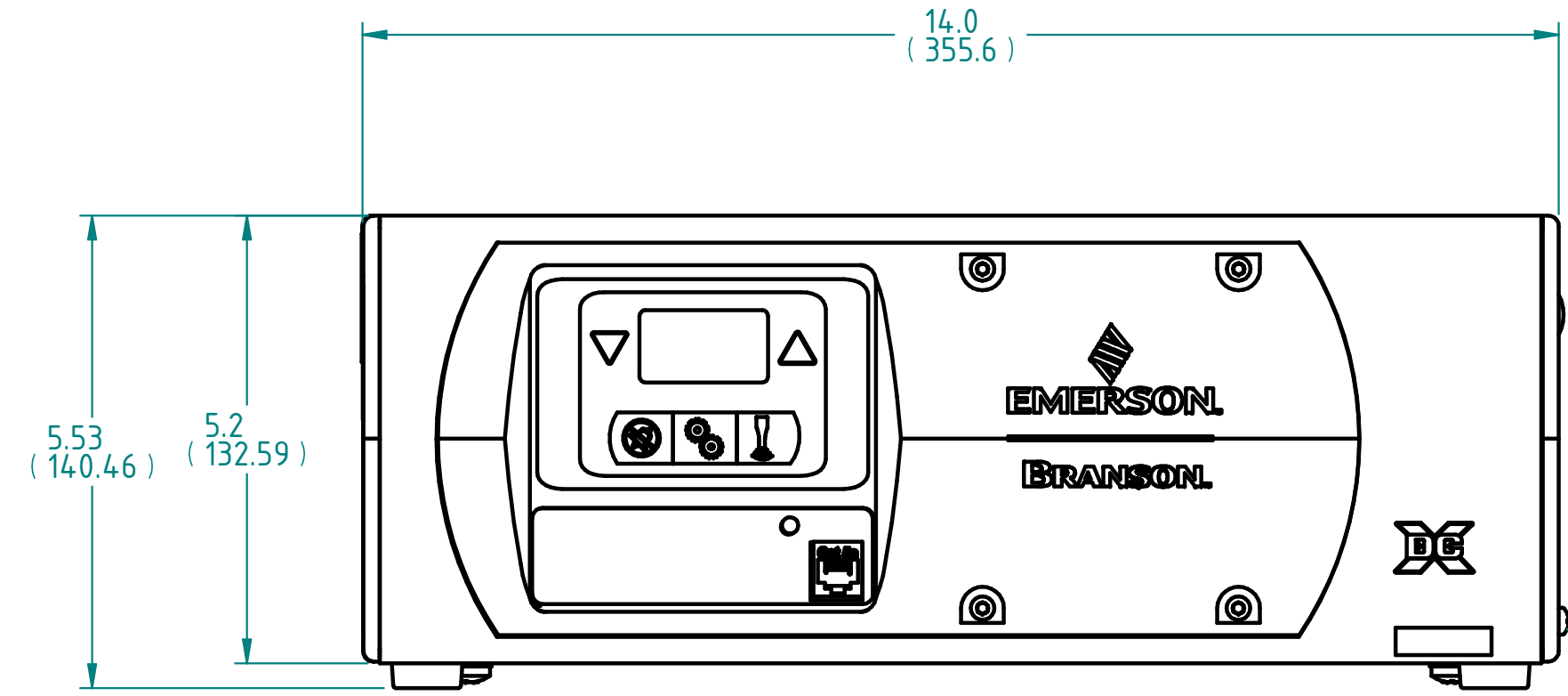
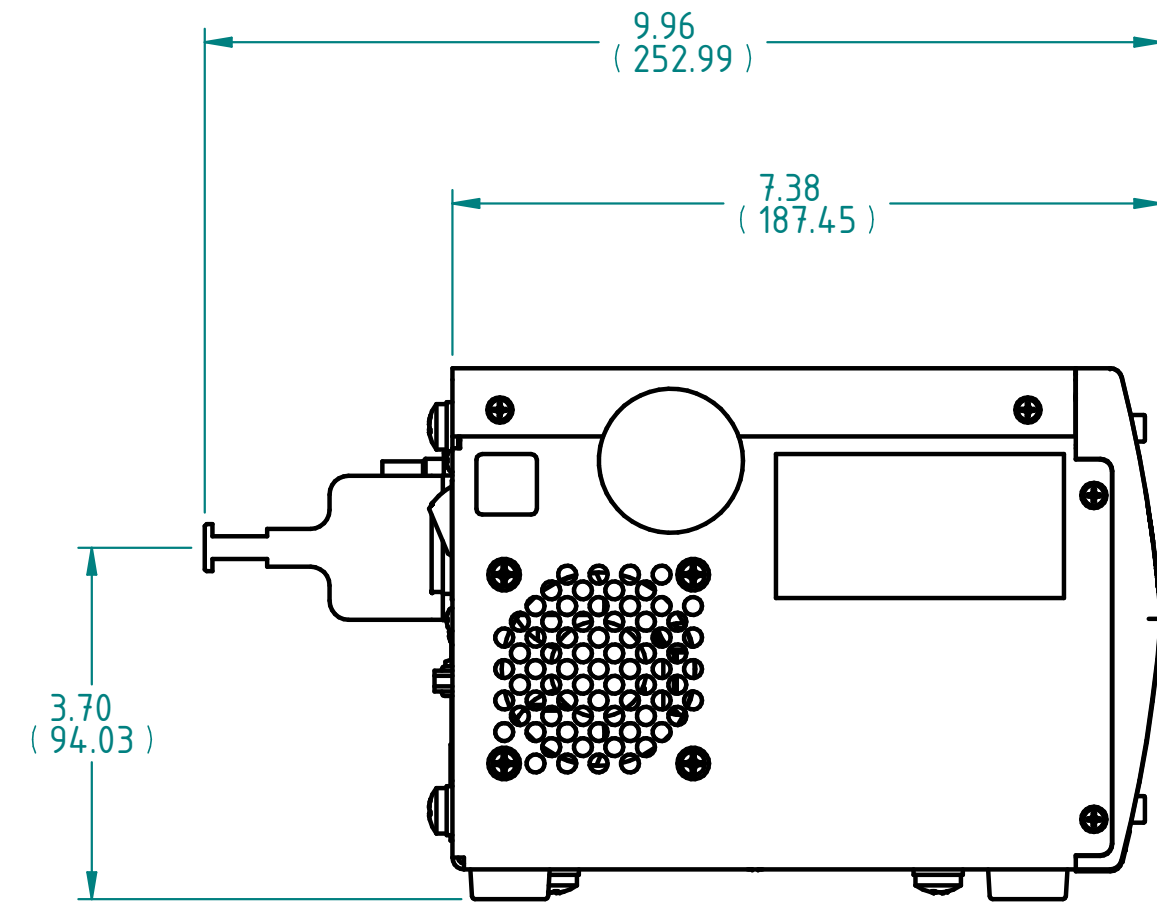


REVISIONS						
ZONE	REV	DESCRIPTION	DATE	ECN/ECO	DRAWN	APPR.
F9	01	DIMENSIONS 9.96 WAS 9.44 AND 7.38 WAS 7.13	10/23/13	20332	CRS	JVL
ALL	02	UPDATED PER IMPACT ANALYSIS	1/13/23	104476	JCN	HTR
ALL	03	UPDATED PER IMPACT ANALYSIS	03/08/23	104618	JCN	HTR



- NOTES: UNLESS OTHER SPECIFIED
1. ALL DIMENSIONS ARE APPROXIMATE.
  2. 3.0in (76mm) RECOMMENDED CLEARANCE ON BOTH SIDES FOR THE FAN.
  3. 5.0in (127mm) RECOMMENDED CLEARANCE IN THE BACK FOR CABLES.

<small>UNLESS OTHERWISE SPECIFIED DIMENSIONS ARE IN INCHES AND TOLERANCES ARE: 2 PLACE DECIMALS ±0.05 3 PLACE DECIMALS ±0.005 4 PLACE DECIMALS ±0.0005 ANGLES ±1° FRACTIONS 1/32 SURFACE FINISH</small> <b>GD &amp; T Standard ASME Y 14.5</b> <small>SECONDARY DIMENSIONS ARE PROVIDED FOR REFERENCE ONLY</small>	<small>This PROPRIETARY Document is property of Branson Ultrasonics Corp., Brookfield, CT. It is confidential in nature, non-transferable, and issued with the clear understanding that it is not traced or copied without permission and is returnable upon demand.</small>		<b>MATERIAL:</b> N/A				<b>BRANSON</b>															
	<small>Article or material must comply with requirements stipulated by RoHS in its current version.</small>		<small>Material Spec. N/A</small>						<table border="1"> <tr> <th colspan="2">TITLE</th> </tr> <tr> <td colspan="2">OUTLINE DCX STANDARD HOR SM</td> </tr> <tr> <td>AGENCY PART</td> <td>NO</td> </tr> <tr> <td>BUC CLASSIFICATION</td> <td>3 Important</td> </tr> <tr> <td>IP CLASSIFICATION</td> <td>NO</td> </tr> <tr> <td>WEIGHT</td> <td>0.000 lbm</td> </tr> <tr> <td>SIZE DWG NO</td> <td>931-132-1791</td> </tr> <tr> <td>REV</td> <td>03</td> </tr> </table>		TITLE		OUTLINE DCX STANDARD HOR SM		AGENCY PART	NO	BUC CLASSIFICATION	3 Important	IP CLASSIFICATION	NO	WEIGHT	0.000 lbm
	TITLE																					
	OUTLINE DCX STANDARD HOR SM																					
AGENCY PART	NO																					
BUC CLASSIFICATION	3 Important																					
IP CLASSIFICATION	NO																					
WEIGHT	0.000 lbm																					
SIZE DWG NO	931-132-1791																					
REV	03																					
<small>3RD ANGLE PROJECTION</small> 		<small>FINISH:</small> N/A		<table border="1"> <tr> <th>NAME</th> <th>DATE</th> </tr> <tr> <td>DRAWN JFBII</td> <td>12/01/11</td> </tr> <tr> <td>CHECKED E. R.</td> <td>12/01/11</td> </tr> <tr> <td>APPROVED JFBII</td> <td>12/01/11</td> </tr> </table>		NAME	DATE	DRAWN JFBII	12/01/11	CHECKED E. R.	12/01/11	APPROVED JFBII	12/01/11	<table border="1"> <tr> <td>SCALE: 1:2</td> <td>SHEET 1 OF 1</td> </tr> </table>		SCALE: 1:2	SHEET 1 OF 1					
NAME	DATE																					
DRAWN JFBII	12/01/11																					
CHECKED E. R.	12/01/11																					
APPROVED JFBII	12/01/11																					
SCALE: 1:2	SHEET 1 OF 1																					
<small>Finish Spec. N/A</small>		<small>Material Spec. N/A</small>		<table border="1"> <tr> <td>SCALE: 1:2</td> <td>SHEET 1 OF 1</td> </tr> </table>		SCALE: 1:2	SHEET 1 OF 1	<table border="1"> <tr> <td>SIZE DWG NO</td> <td>931-132-1791</td> </tr> <tr> <td>REV</td> <td>03</td> </tr> </table>		SIZE DWG NO	931-132-1791	REV	03									
SCALE: 1:2	SHEET 1 OF 1																					
SIZE DWG NO	931-132-1791																					
REV	03																					

SOLID EDGE