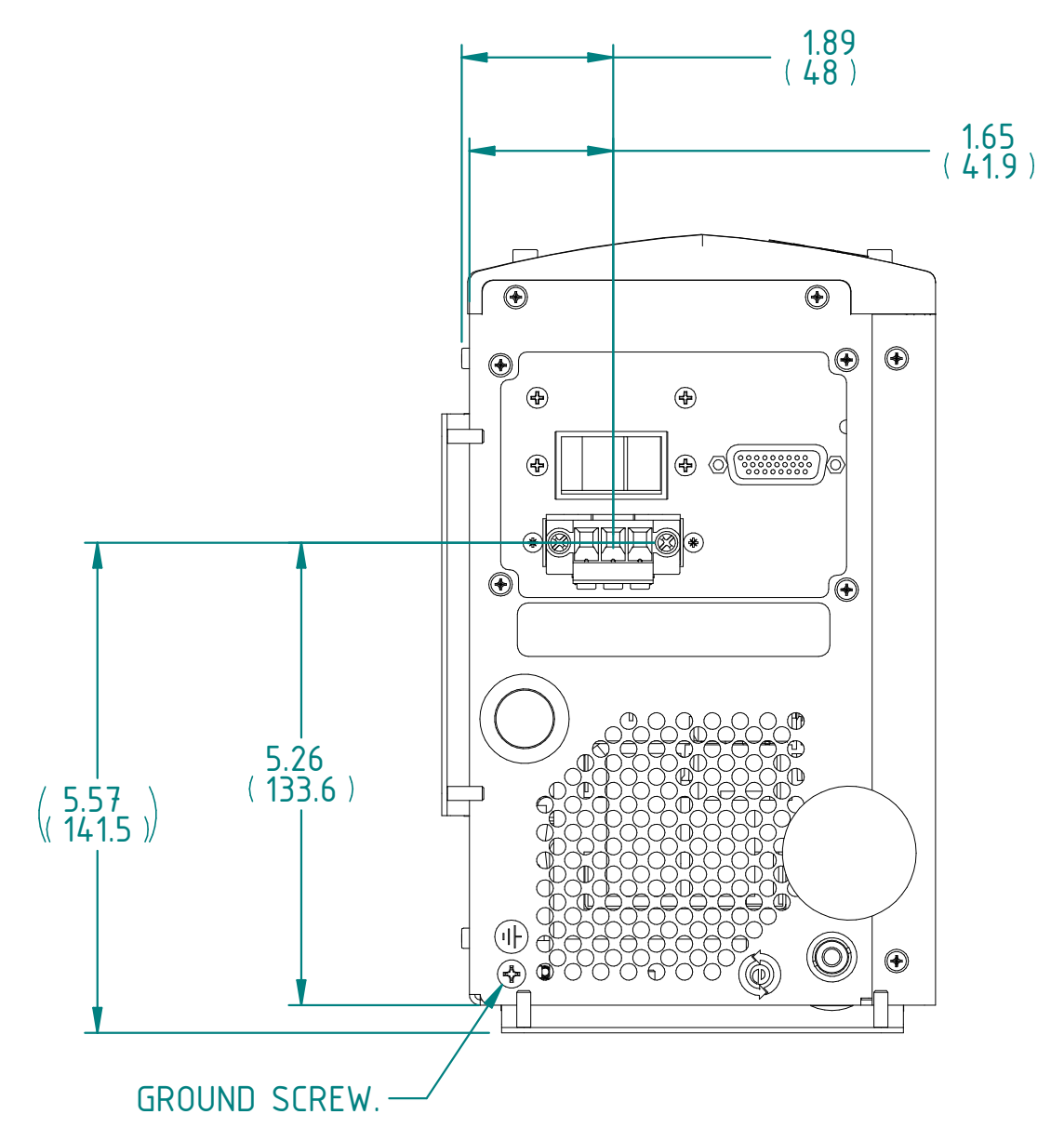
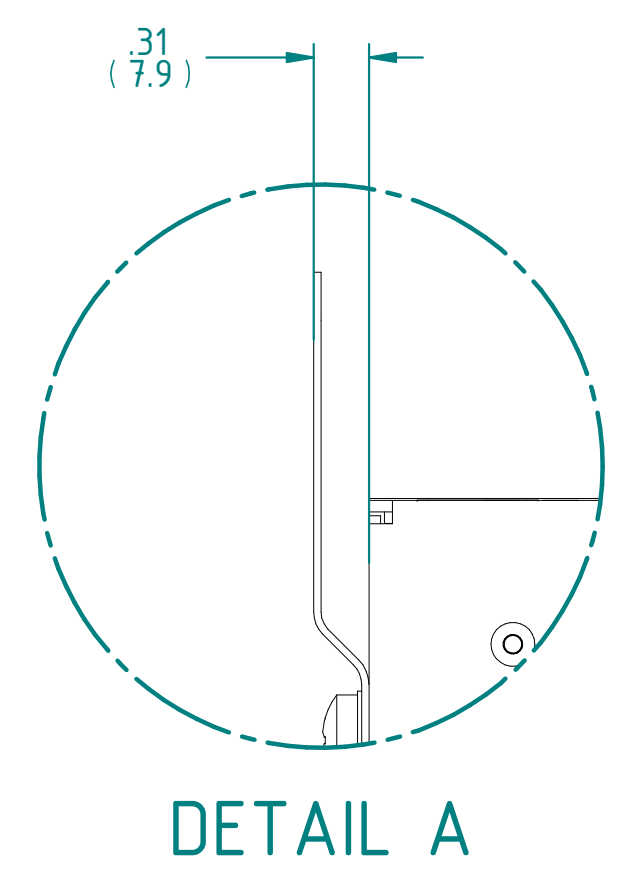
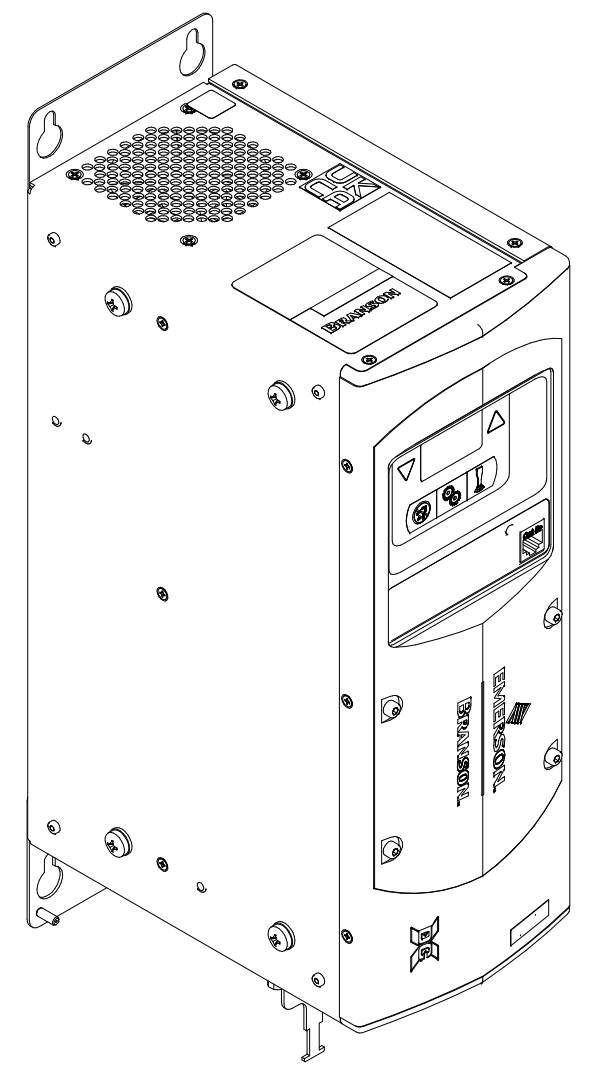
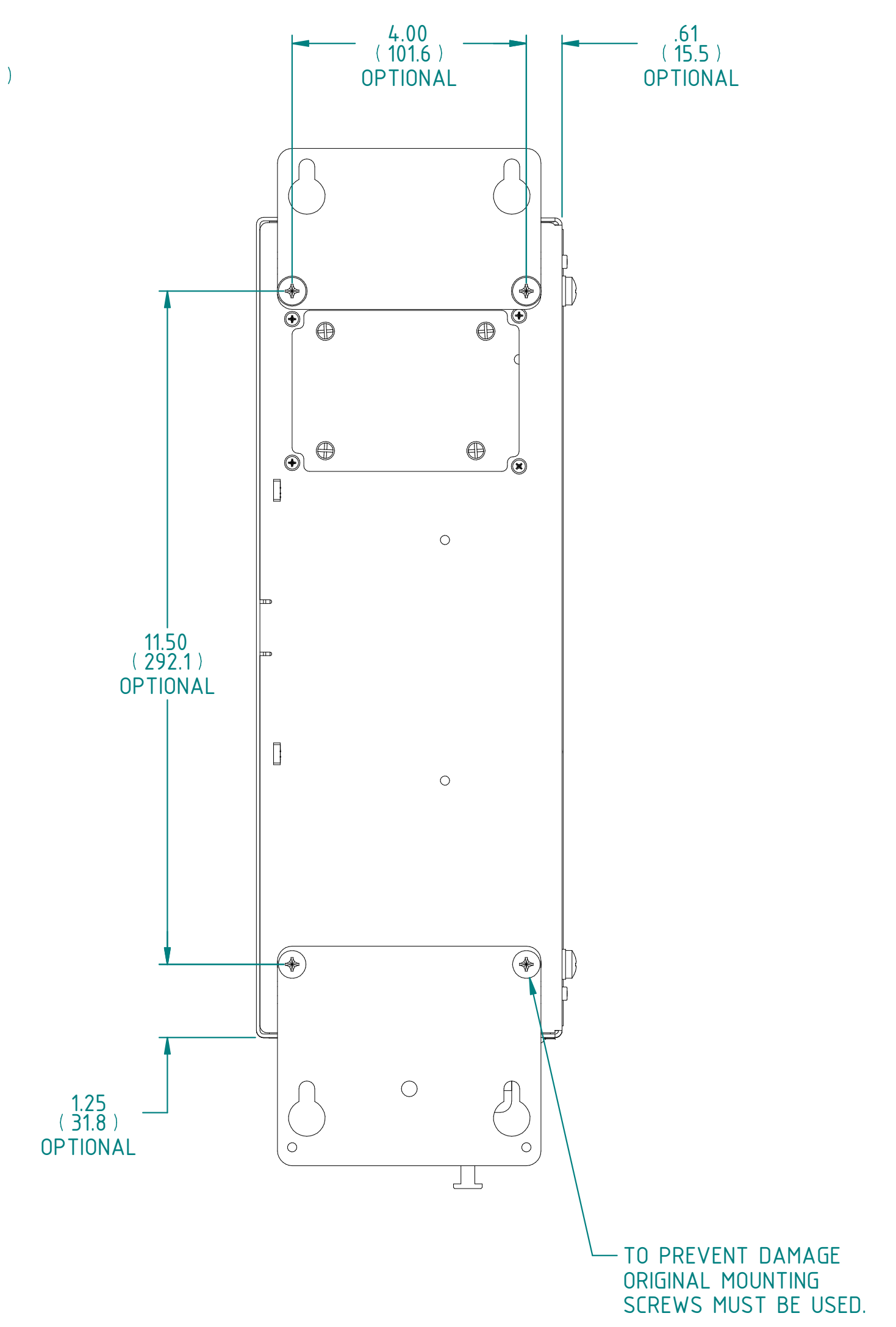
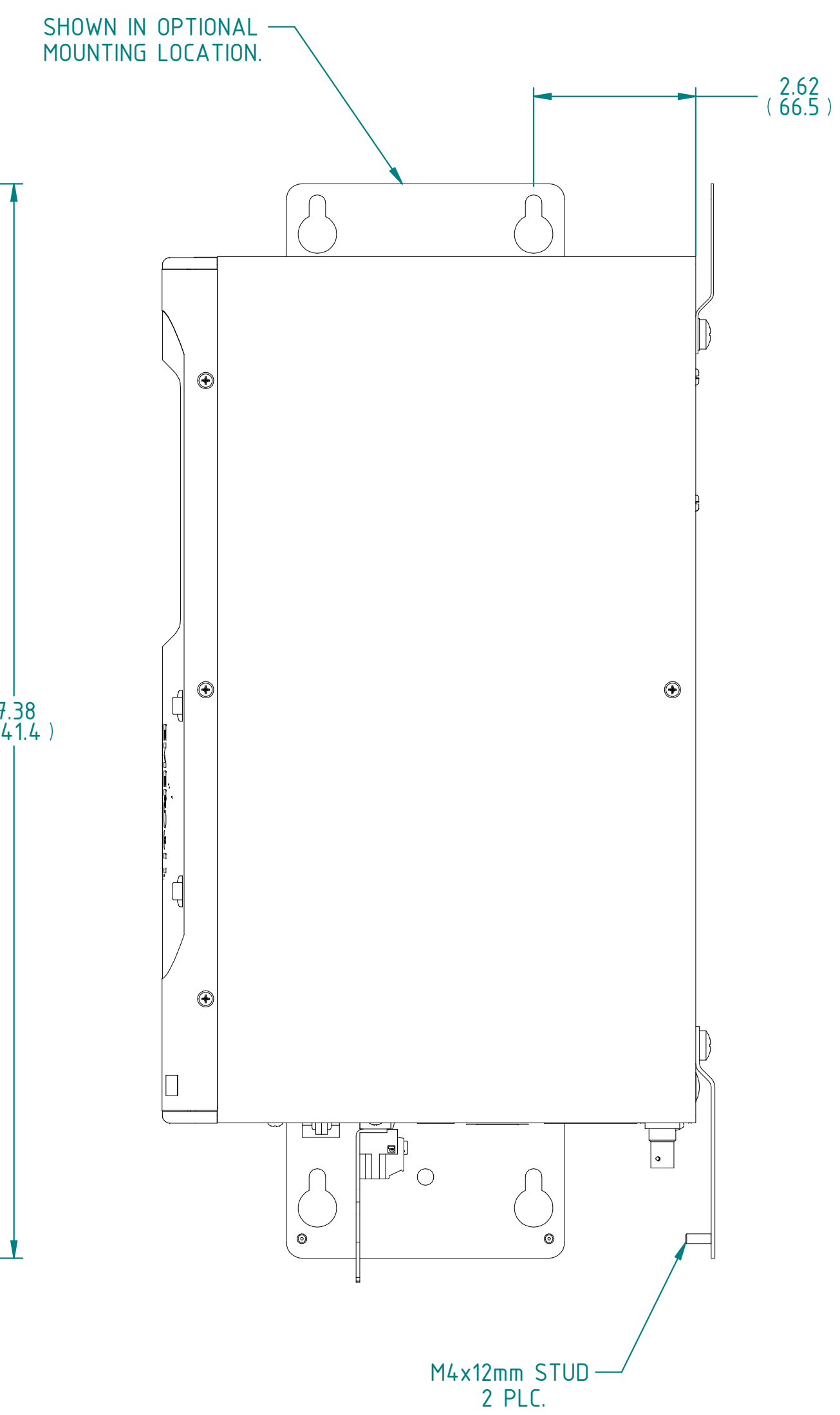
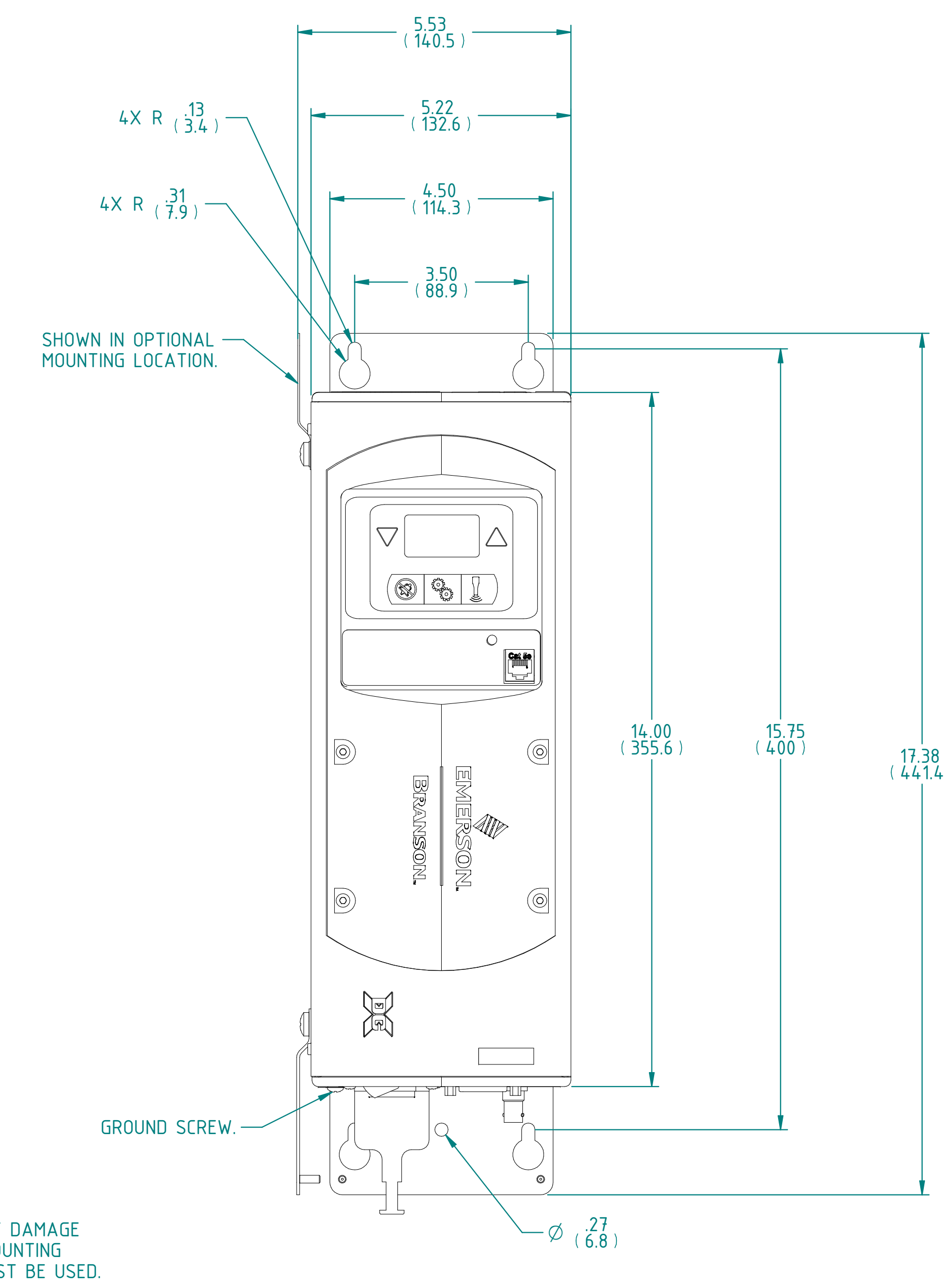
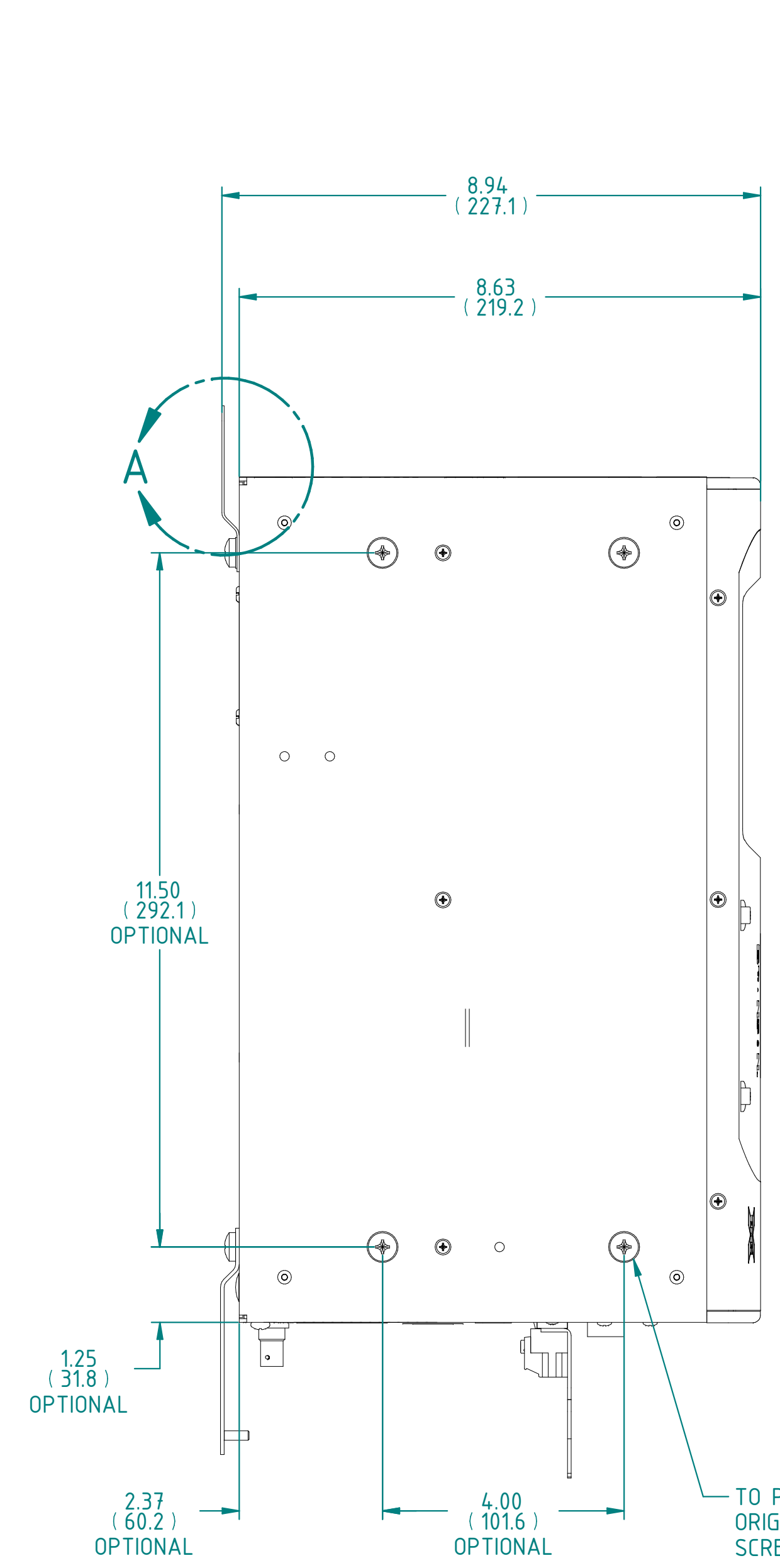


REVISIONS					
ZONE	REV	DESCRIPTION	DATE	ECN/ECO	APPR.
A7-B8, C4-C5, G6-H8	01	UPDATED TO SHOW LATEST REVISION, THE CHANGES OF BOTTOM BRACKET & CHANGES IN BACK PANEL LOCATION; ADDED DIMENSION 5.53 & .27; ADDED 4X TO DIMENSIONS .13 & .31; CORRECTED MINOR DETAILS.	2/7/2018	22264	AAMG JVL
ALL	02	UPDATED PER IMPACT ANALYSIS	1/13/23	104476	JCN HTR
ALL	03	UPDATED PER IMPACT ANALYSIS	3/8/23	104618	JCN HTR



- NOTES: UNLESS OTHER SPECIFIED
1. ALL DIMENSIONS ARE APPROXIMATE.
  2. 3.0in (76mm) RECOMMENDED CLEARANCE ON THE TOP FOR FAN.
  3. 5.0in (127mm) RECOMMENDED CLEARANCE ON THE BOTTOM FOR CABLES.

UNLESS OTHERWISE SPECIFIED  
 DIMENSIONS ARE IN INCHES  
 AND TOLERANCES ARE:  
 2 PLACE DECIMALS ±.005  
 3 PLACE DECIMALS ±.005  
 4 PLACE DECIMALS ±.0005  
 ANGLES ±1° FRACTIONS 1/32 SURFACE FINISH  
 GD & T Standard ASME Y 14.5  
 SECONDARY DIMENSIONS  
 ARE PROVIDED FOR  
 REFERENCE ONLY

INCHES  
(MM)

3RD ANGLE PROJECTION

This PROPRIETARY Document is property of Branson Ultrasonics Corp., Brookfield, CT. It is confidential in nature, non-transferable, and issued with the clear understanding that it is not traced or copied without permission and is returnable upon demand.

Article or material must comply with requirements stipulated by RoHS in its current version.

MATERIAL:  
N/A

Material Spec. N/A

FINISH:  
N/A

Finish Spec. N/A

NAME	DATE
DRAWN JFBH	12/01/11
CHECKED E. R.	12/01/11
APPROVED JFBH	12/01/11
SCALE: 1:2	SHEET 1 OF 1

BRANSON		TITLE	
		OUTLINE DCX STANDARD VRT MD	
AGENCY PART	NO		
BUC CLASSIFICATION	1 Critical		
IP CLASSIFICATION	NO		
WEIGHT	0.000 lbm		
SIZE/DWG NO			
D	931-132-1801	REV	03