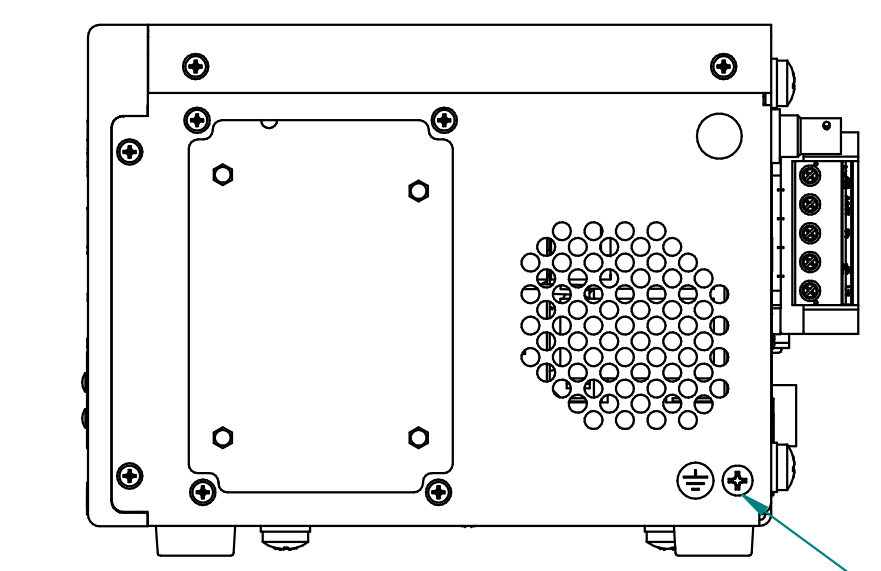
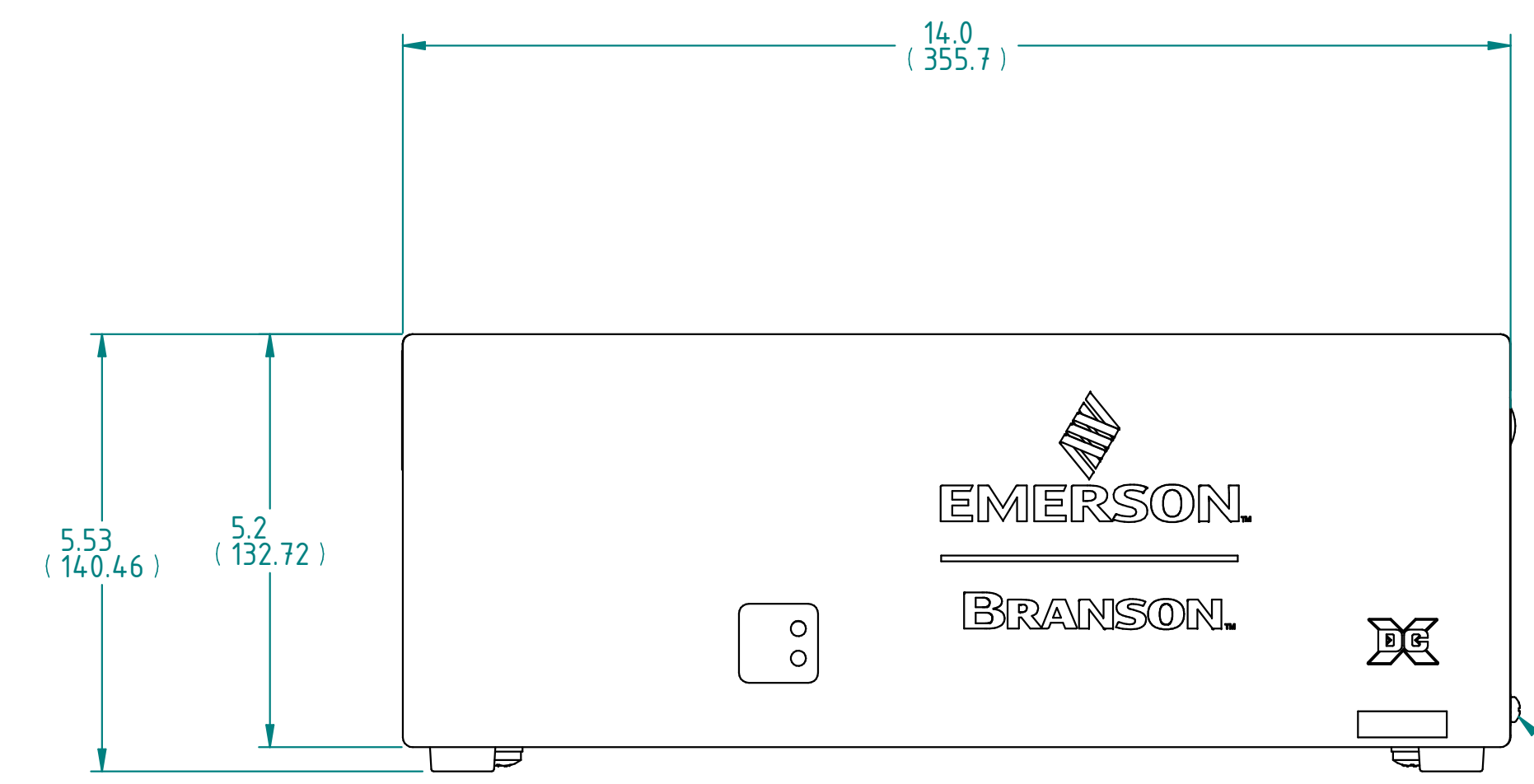
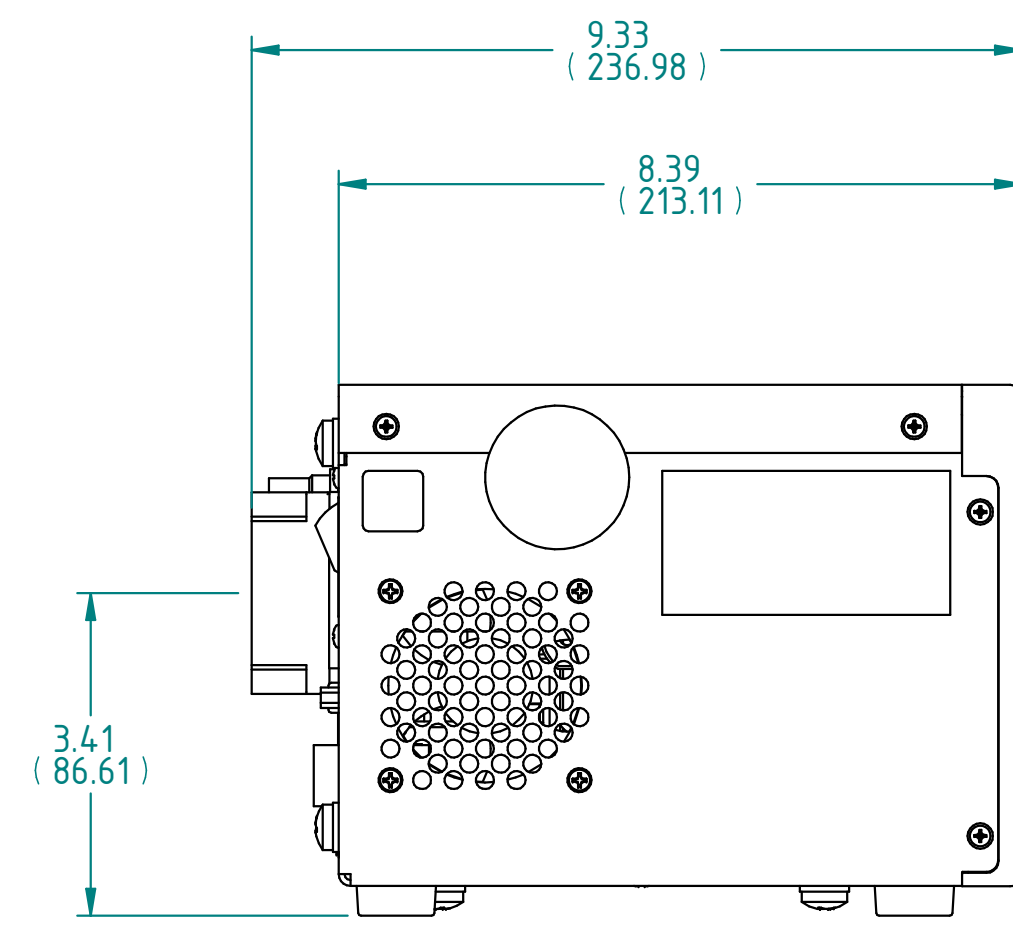
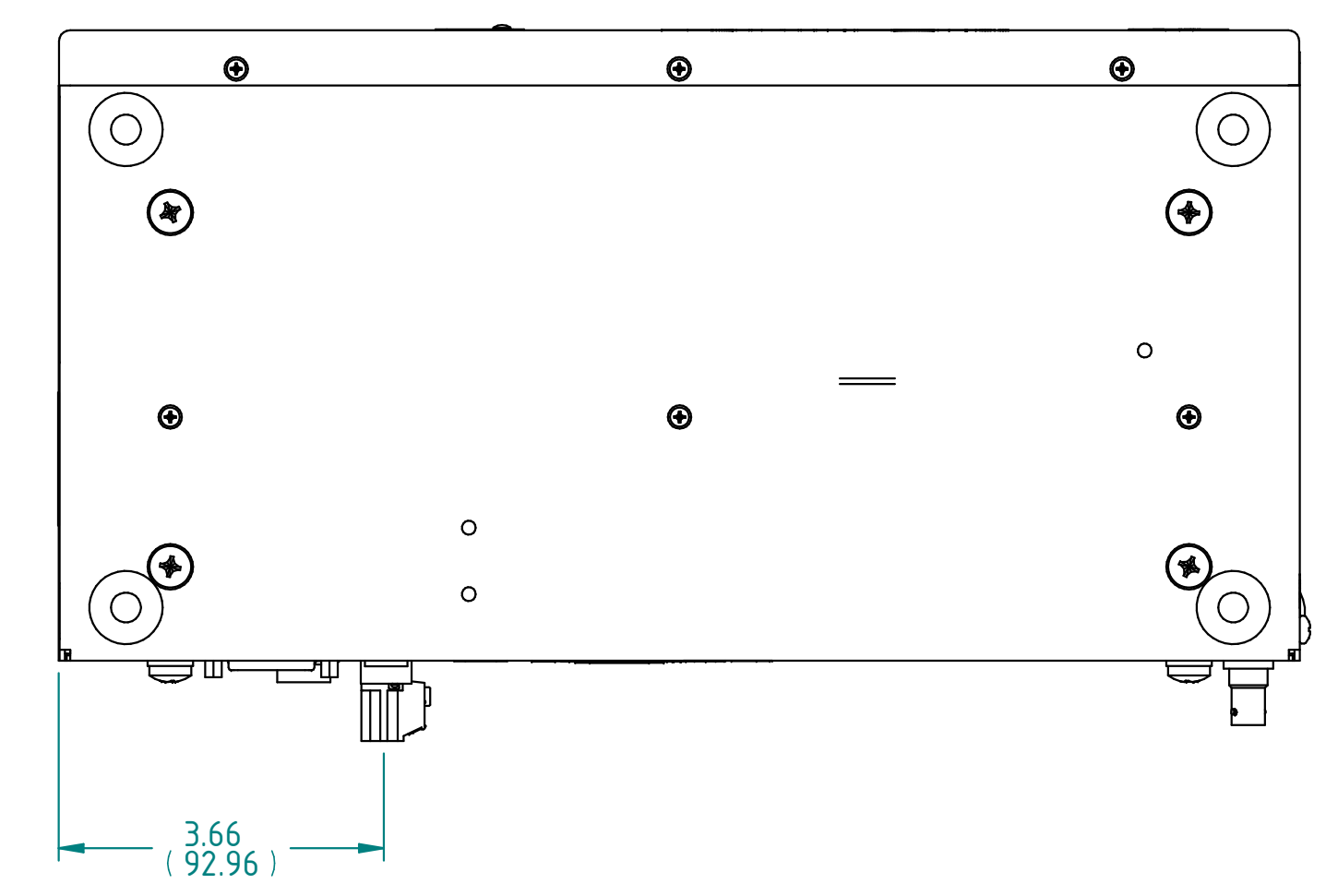
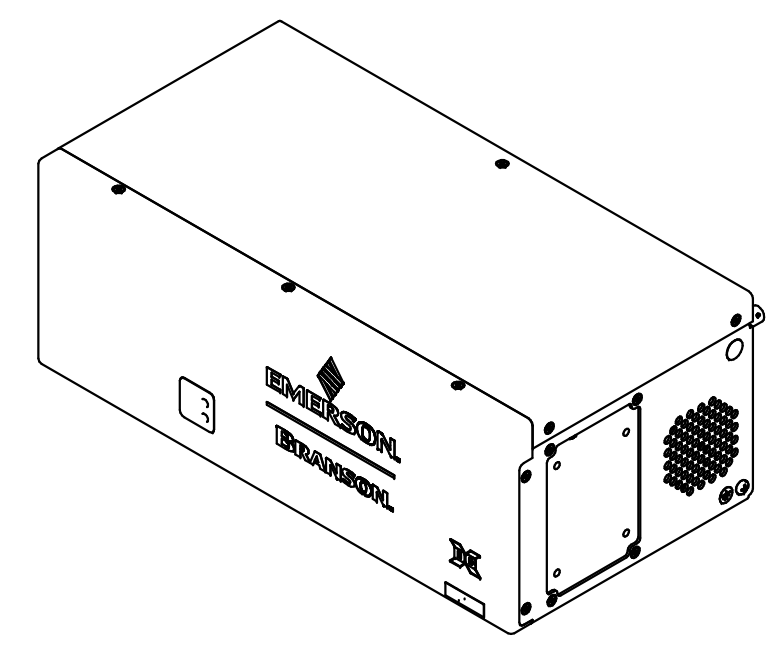


REVISIONS						
ZONE	REV	DESCRIPTION	DATE	ECN/ECO	DRAWN	APPR.
ALL	01	UPDATED PER IMPACT ANALYSIS	1/13/23	104476	JCN	HTR



GROUND SCREW

GROUND SCREW



- NOTES: UNLESS OTHER SPECIFIED
1. ALL DIMENSIONS ARE APPROXIMATE.
 2. 3.0in (76mm) RECOMMENDED CLEARANCE ON BOTH SIDES FOR THE FAN.
 3. 5.0in (127mm) RECOMMENDED CLEARANCE IN THE BACK FOR CABLES.

<small>UNLESS OTHERWISE SPECIFIED: DIMENSIONS ARE IN INCHES AND TOLERANCES ARE: 2 PLACE DECIMALS ±.005 3 PLACE DECIMALS ±.0005 4 PLACE DECIMALS ±.00005 ANGLES ±1° FRACTIONS 1/32 SURFACE FINISH ✓</small> GD & T Standard ASME Y 14.5 <small>SECONDARY DIMENSIONS ARE PROVIDED FOR REFERENCE ONLY</small>	<small>This PROPRIETARY Document is property of Branson Ultrasonics Corp., Brookfield, CT. It is confidential in nature, non-transferable, and issued with the clear understanding that it is not traced or copied without permission and is returnable upon demand.</small>		<small>MATERIAL: N/A</small>																									
	<small>Article or material must comply with requirements stipulated by RoHS in its current version.</small>		<small>Material Spec. N/A</small>																									
	<small>3RD ANGLE PROJECTION</small> 		<small>FINISH: N/A</small>		<table border="1"> <thead> <tr> <th>NAME</th> <th>DATE</th> </tr> </thead> <tbody> <tr> <td>JFBII</td> <td>12/01/11</td> </tr> <tr> <td>E. R.</td> <td>12/01/11</td> </tr> <tr> <td>JFBII</td> <td>12/01/11</td> </tr> </tbody> </table>		NAME	DATE	JFBII	12/01/11	E. R.	12/01/11	JFBII	12/01/11	<table border="1"> <thead> <tr> <th colspan="2">TITLE</th> </tr> </thead> <tbody> <tr> <td colspan="2">OUTLINE DCX VALUE HOR MD</td> </tr> <tr> <td>AGENCY PART</td> <td>NO</td> </tr> <tr> <td>IPC CLASSIFICATION</td> <td>3 Important</td> </tr> <tr> <td>IP CLASSIFICATION</td> <td>NO</td> </tr> <tr> <td>WEIGHT</td> <td>0.000 lbm</td> </tr> </tbody> </table>		TITLE		OUTLINE DCX VALUE HOR MD		AGENCY PART	NO	IPC CLASSIFICATION	3 Important	IP CLASSIFICATION	NO	WEIGHT	0.000 lbm
	NAME	DATE																										
JFBII	12/01/11																											
E. R.	12/01/11																											
JFBII	12/01/11																											
TITLE																												
OUTLINE DCX VALUE HOR MD																												
AGENCY PART	NO																											
IPC CLASSIFICATION	3 Important																											
IP CLASSIFICATION	NO																											
WEIGHT	0.000 lbm																											
<small>Finish Spec. N/A</small>		<small>SCALE: 1:2</small>		<small>SHEET 1 OF 1</small>		<table border="1"> <tr> <td>SIZE DWG NO</td> <td>REV</td> </tr> <tr> <td>D 931-132-1808</td> <td>01</td> </tr> </table>		SIZE DWG NO	REV	D 931-132-1808	01																	
SIZE DWG NO	REV																											
D 931-132-1808	01																											

SOLID EDGE