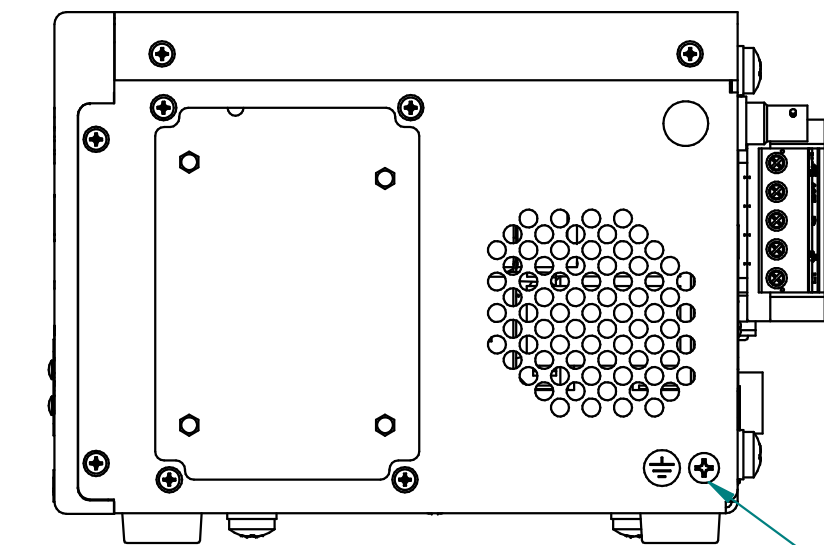
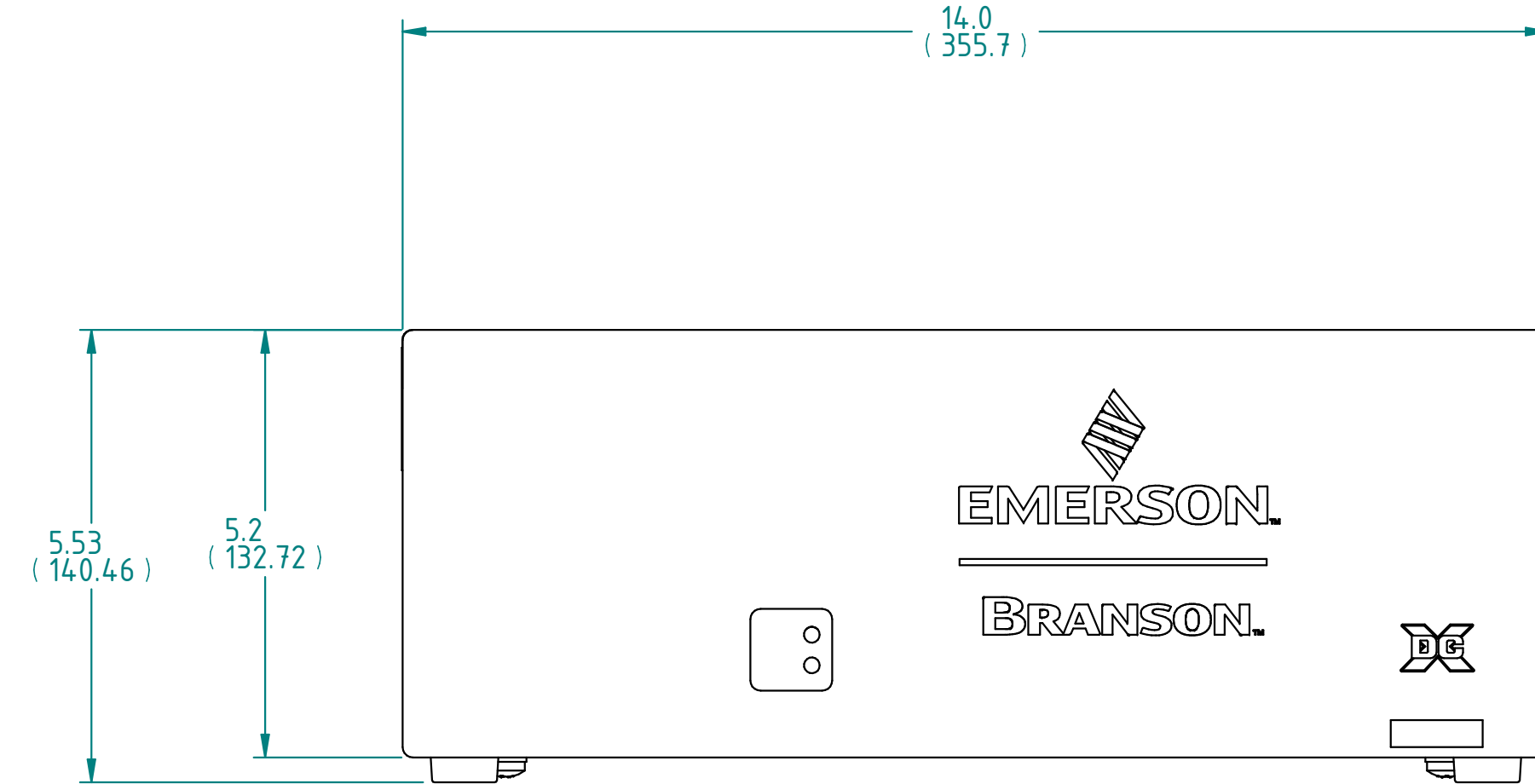
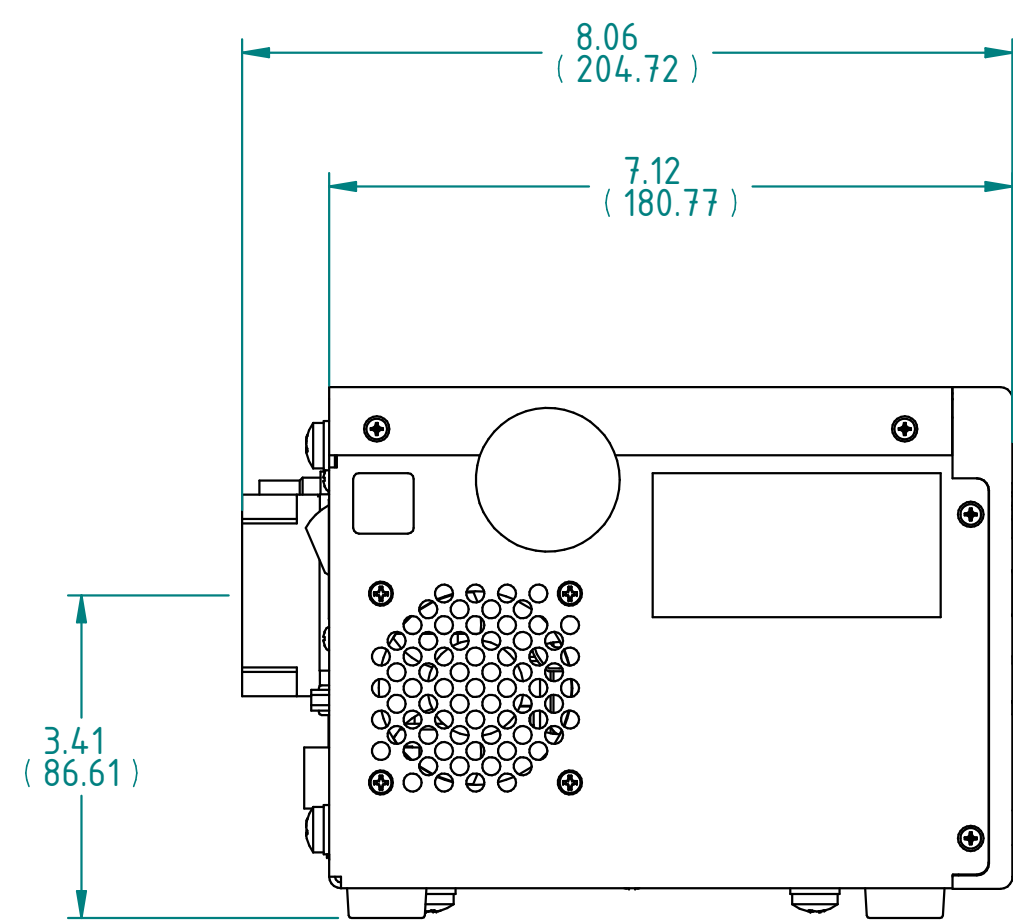
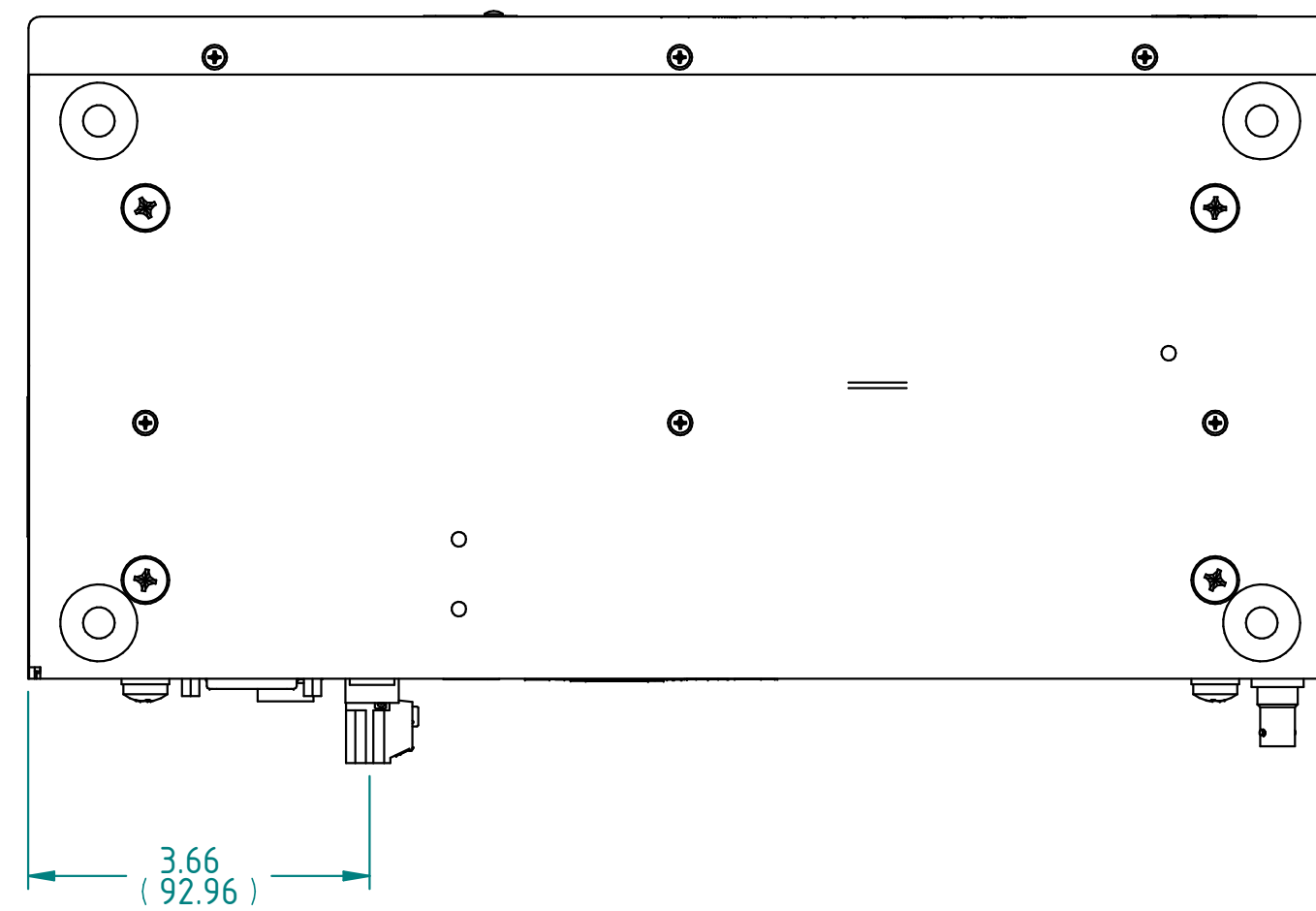
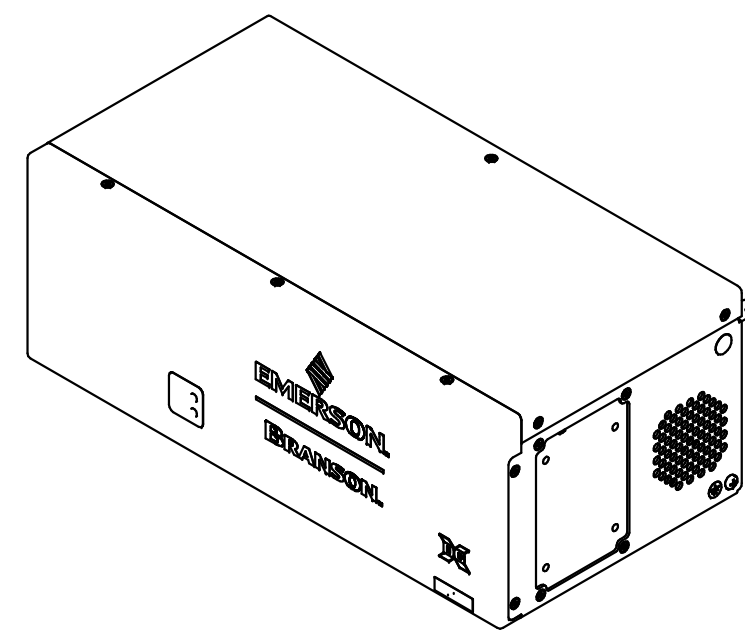


REVISIONS						
ZONE	REV	DESCRIPTION	DATE	ECN/ECO	DRAWN	APPR.
F9	01	DIMENSIONS 7.12 WAS 6.87 AND 8.06 WAS 7.81	10/24/13	20332	CRS	JVL
ALL	02	UPDATED PER IMPACT ANALYSIS	1/13/23	1044.76	JCN	HTR



GROUND SCREW

GROUND SCREW



- NOTES: UNLESS OTHERWISE SPECIFIED
1. ALL DIMENSIONS ARE APPROXIMATE.
 2. 3.0in (76mm) RECOMMENDED CLEARANCE ON BOTH SIDES FOR THE FAN.
 3. 5.0in (127mm) RECOMMENDED CLEARANCE IN THE BACK FOR CABLES.

UNLESS OTHERWISE SPECIFIED
 DIMENSIONS ARE IN INCHES
 AND TOLERANCES ARE:
 2 PLACE DECIMALS ±.005
 3 PLACE DECIMALS ±.0005
 4 PLACE DECIMALS ±.00005
 ANGLES 1/2° FRACTIONS 1/32° SURFACE FINISH

GD & T Standard ASME Y 14.5

SECONDARY DIMENSIONS ARE PROVIDED FOR REFERENCE ONLY

3RD ANGLE PROJECTION

This PROPRIETARY Document is property of Branson Ultrasonics Corp., Brookfield, CT. It is confidential in nature, non-transferable, and issued with the clear understanding that it is not traced or copied without permission and is returnable upon demand.

Article or material must comply with requirements stipulated by RoHS in its current version.

MATERIAL: N/A

Material Spec. N/A

FINISH: N/A

Finish Spec. N/A

NAME	DATE
DRAWN JFBII	12/01/11
CHECKED E. R.	12/01/11
APPROVED JFBII	12/01/11
SCALE: 1:4	SHEET 1 OF 1

BRANSON		TITLE	
		OUTLINE DCX VALUE HOR SM	
AGENCY PART	NO	IP CLASSIFICATION	3 Important
WEIGHT	0.000 lbm	SIZE DWG NO	931-132-1807
REV	02	SOLID EDGE	