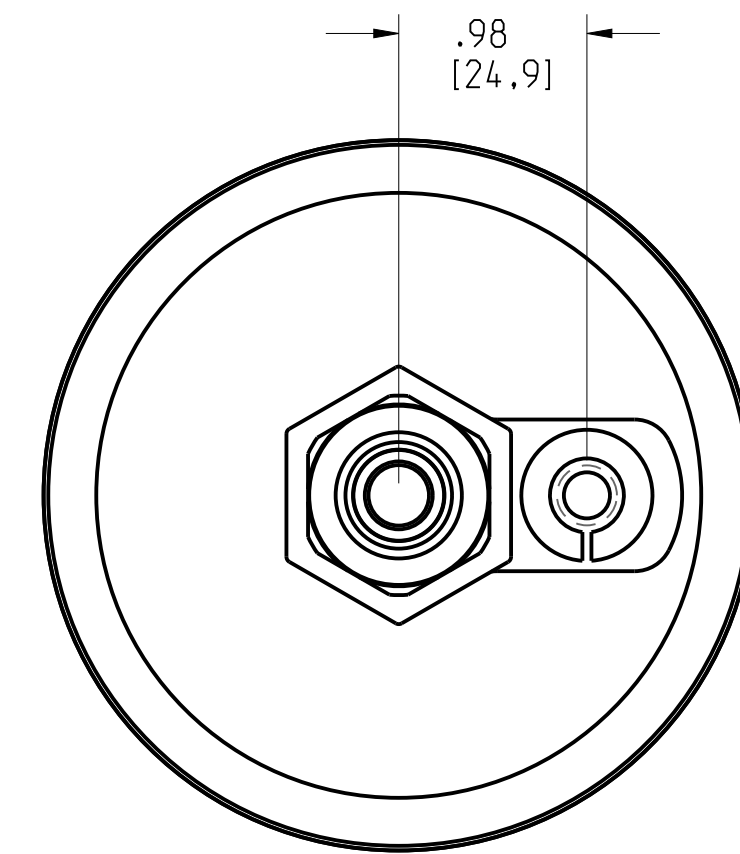
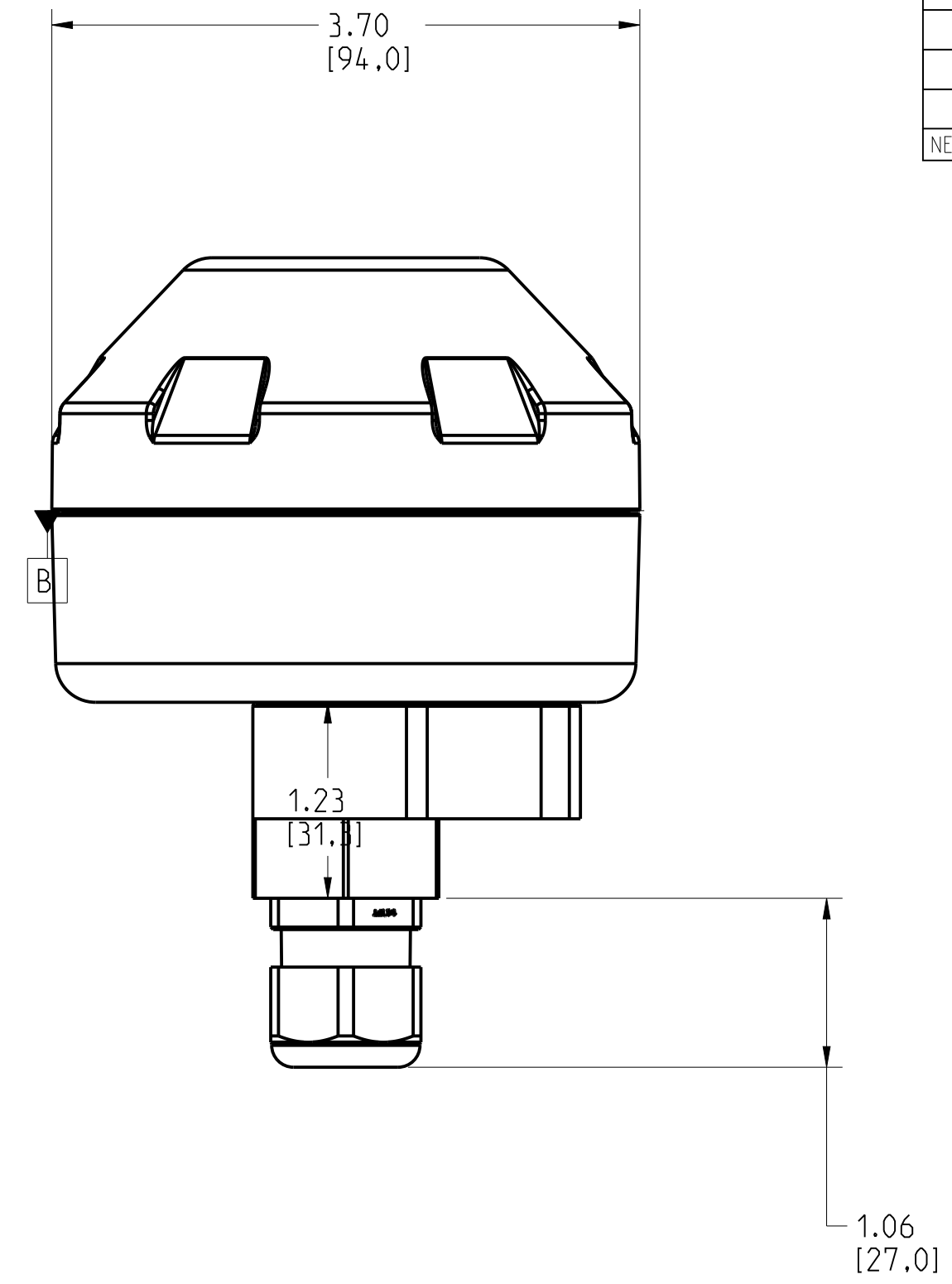
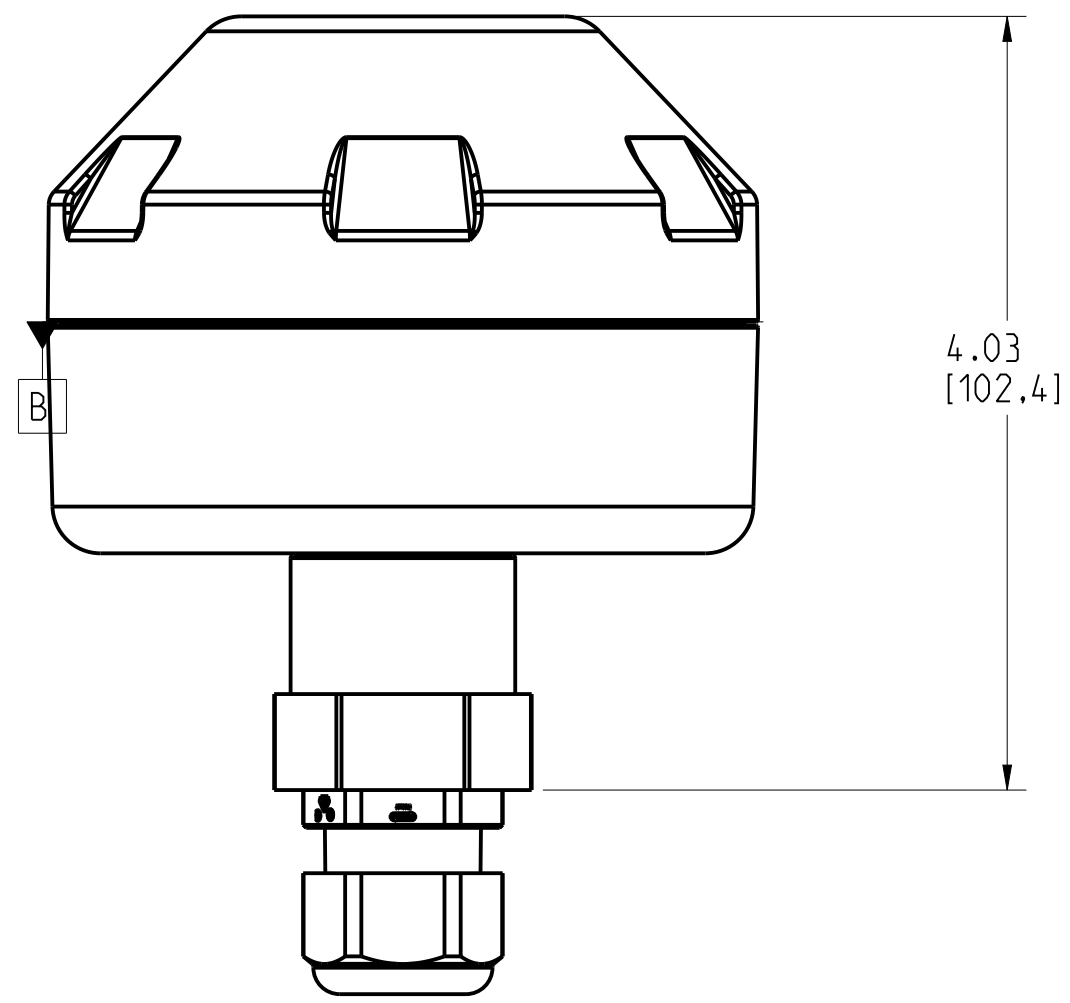


# EMERSON WIRELESS 781S SMART ANTENNA

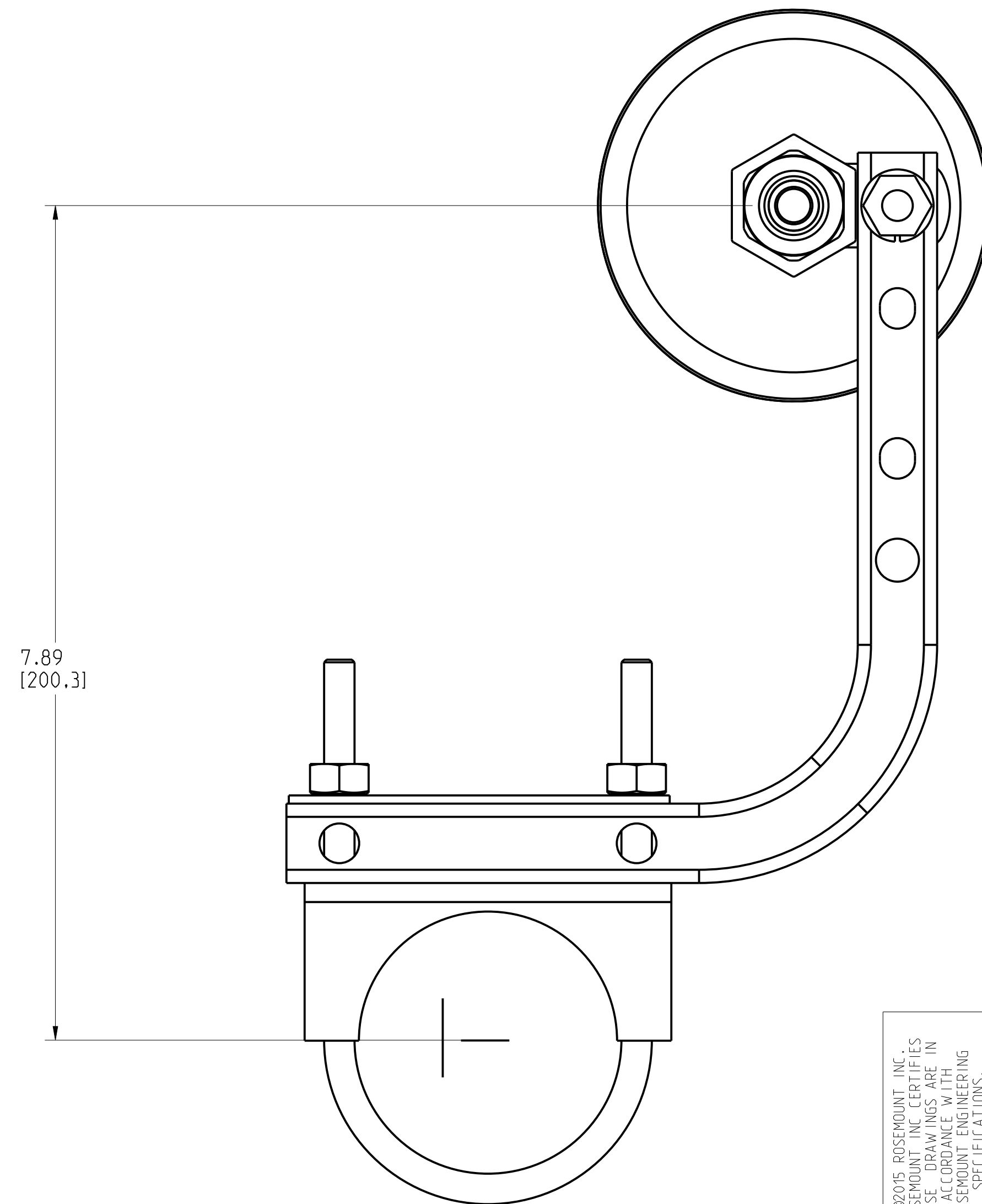
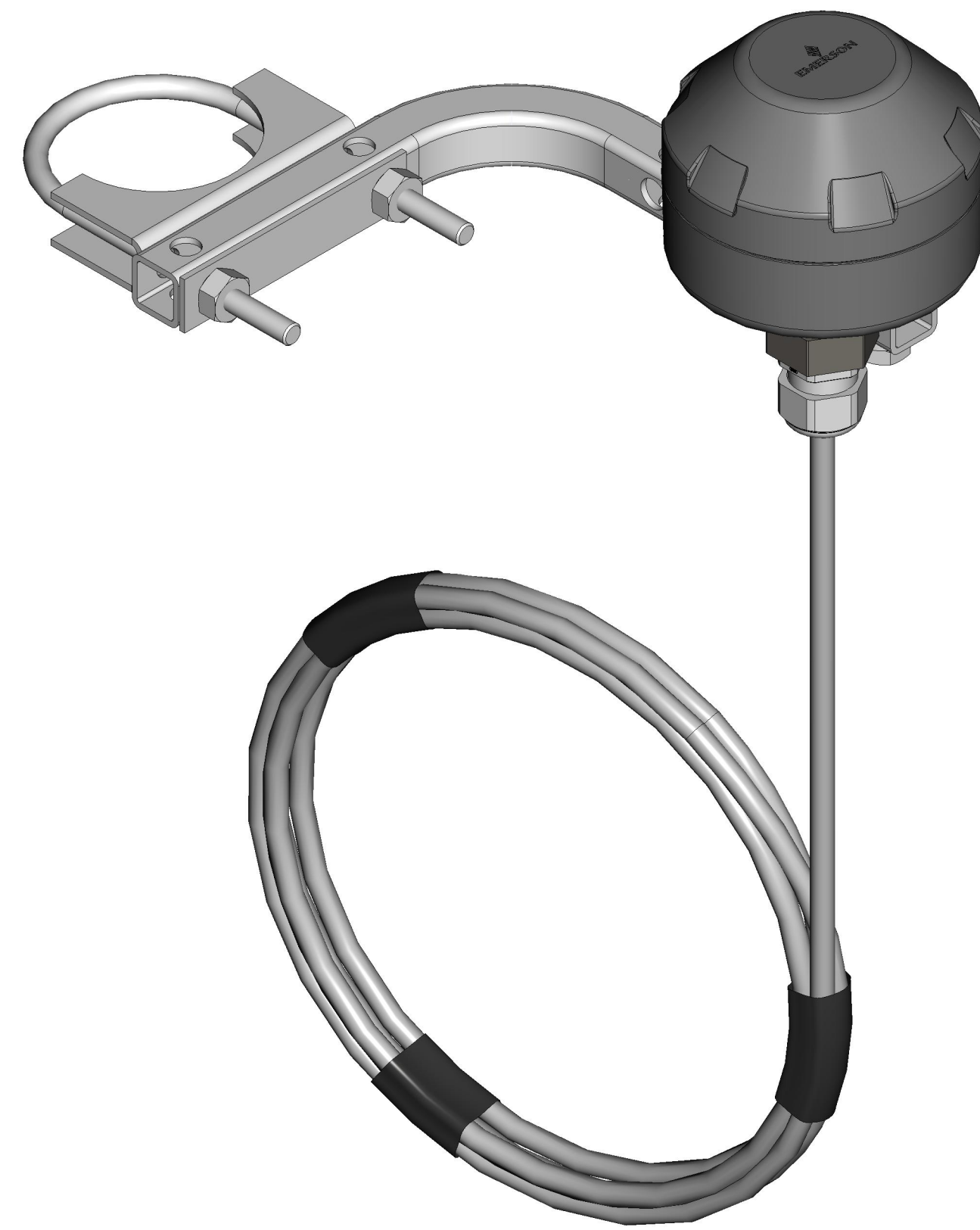
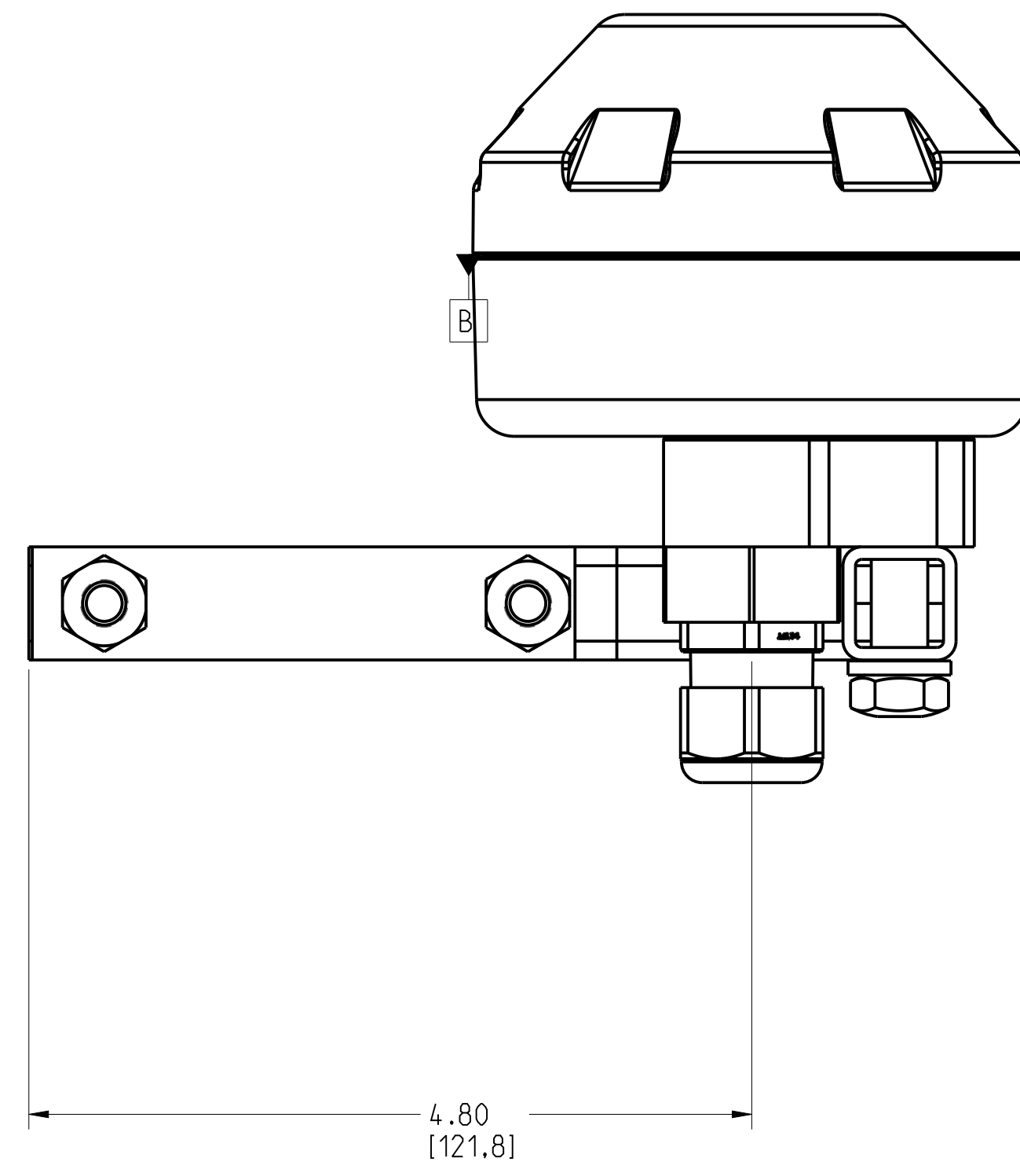
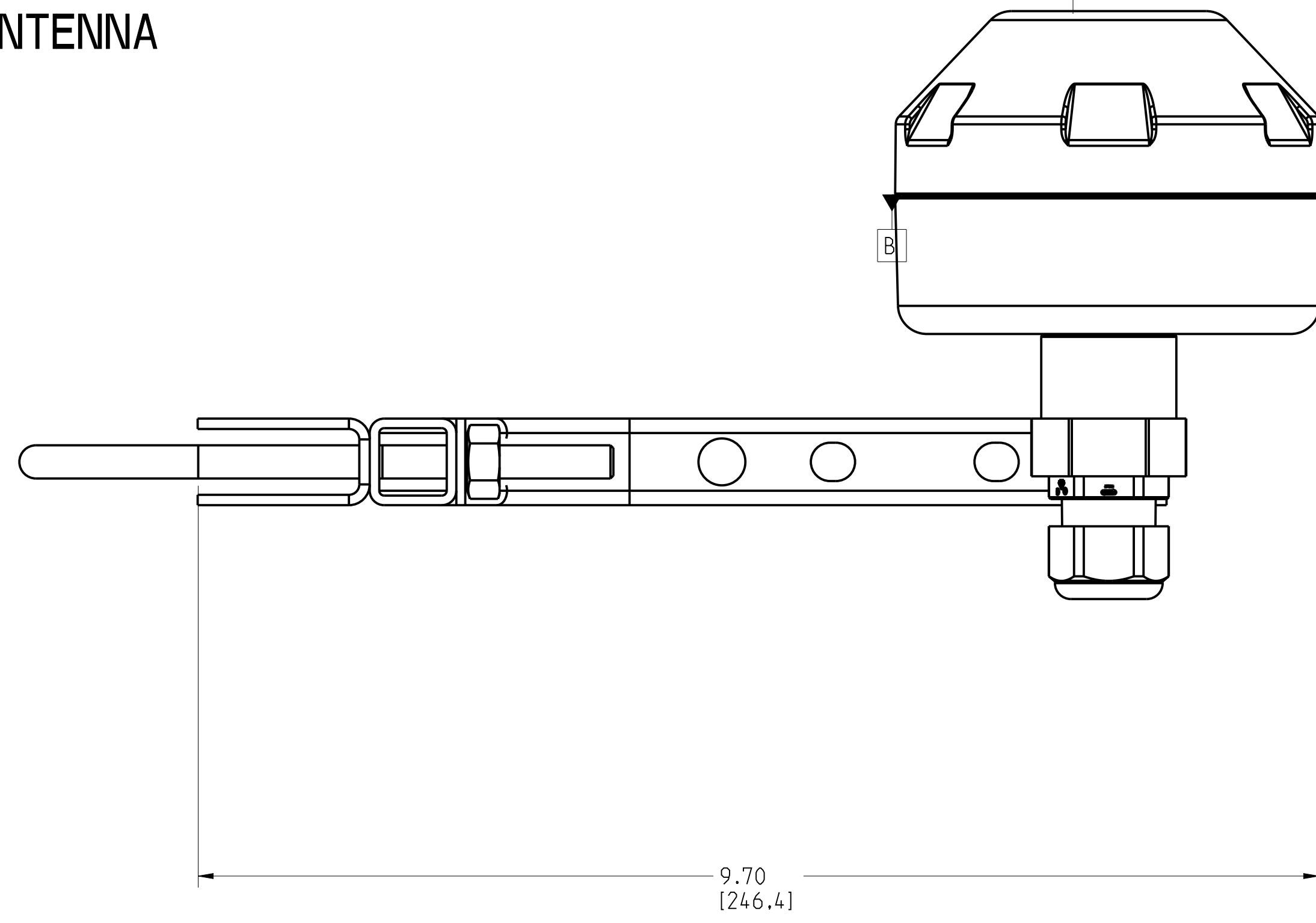
REVISION TABLE			
REVISION	ECO NO.	APP'D	DATE
AA	RTC1074160	J. SMEDSRUD	10/31/19
DESCRIPTION			
NEW RELEASE			



©2015 ROSEMOUNT, INC.  
ROSEMOUNT AND ALL OTHER  
TRADEMARKS ARE REGISTERED IN  
THESE DRAWINGS AND SHALL BE  
USED IN ACCORDANCE WITH  
ROSEMOUNT ENGINEERING  
SPECIFICATIONS.  
UNIT NOTES IN INCHES (mm).  
REFERENCE ROSEMOUNT  
PRODUCT SPECIFICATIONS FOR  
PRODUCT SPECIFICATIONS.  
CLICK HERE

		3RD ANGLE		SIZE D	SCALE NTS
<b>TITLE</b> ROSEMOUNT 781S TYPE I DRAWING					
DR. J. ARMSTRONG	9/20/19	DRAWING NO.		00781-7001	
APP'D N. LOYA	9/20/19				
CAD MAINTAINED: (PRO/E)				SHEET 1 OF 2	

EMERSON WIRELESS 781S SMART ANTENNA  
MOUNTING CONFIGURATION



©2015 ROSEMOUNT, INC.  
ROSEMOUNT, INC. ACCEPTS  
THESE DRAWINGS AS A BASIS FOR  
CONSTRUCTION OF THE ANTENNA  
IN ACCORDANCE WITH  
ROSEMOUNT ENGINEERING  
SPECIFICATIONS.  
UNIT NOTES IN INCHES (mm).

REFERENCE ROSEMOUNT  
PRODUCT SPECIFICATIONS FOR  
PRODUCT SPECIFICATIONS.  
CLICK HERE

		3RD ANGLE		SIZE D	SCALE NTS
<b>ROSEMOUNT 781S TYPE I DRAWING</b>					
DR. J. ARMSTRONG	9/20/19	DRAWING NO.		00781-7001	
APP'D N. LOYA	9/20/19				
CAD MAINTAINED (PRO/E)				SHEET 2 OF 2	