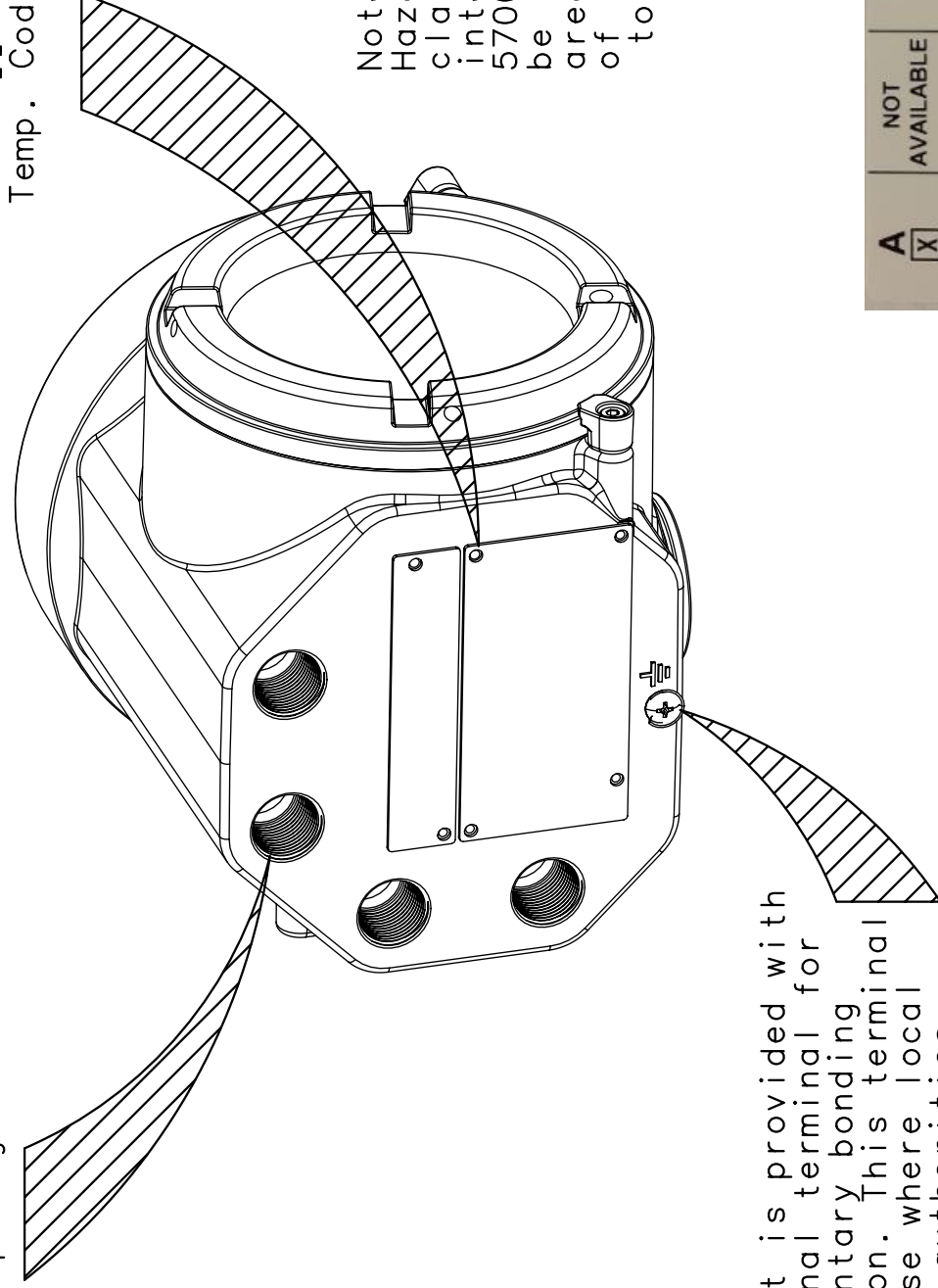


MODEL 5700
WITH FISCO FIELDBUS OUTPUTS

MODEL 5700 WITH FISCO FIELDBUS OUTPUTS IN HAZARDOUS LOCATION
(WARNING: SUBSTITUTIONS OF COMPONENTS MAY IMPAIR INTRINSIC SAFETY)

Warning:
This compartment contains non-intrinsically safe circuits. Use of conduit seals are required within 2 inches of the conduit openings.

Hazardous Area
Class **I** Div. 1 Groups C,D
Class **II** Groups E,F,G
Temp. Code Div 1: T6



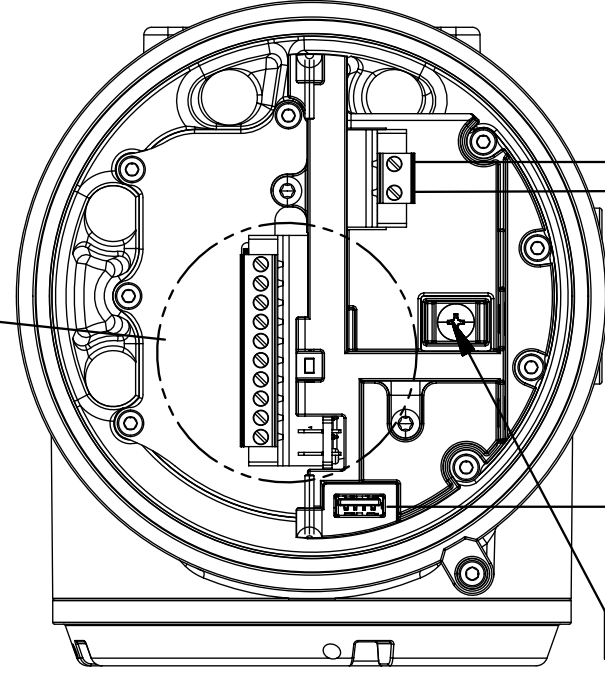
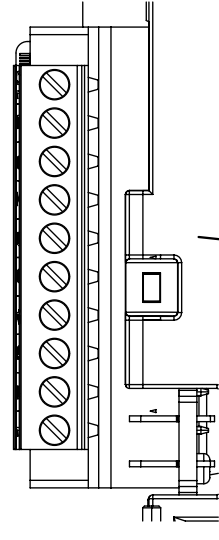
Note:
Hazardous area classification on an integrally mounted 5700 transmitter can be limited by hazardous area classification of the sensor. Refer to sensor tag.

This unit is provided with an external terminal for supplementary bonding connection. This terminal is for use where local codes or authorities permit or require such connection.

A	NOT AVAILABLE	B	C	NOT USED					
<input checked="" type="checkbox"/>	<input checked="" type="checkbox"/>	<input checked="" type="checkbox"/>	<input checked="" type="checkbox"/>						
+	-	+	-						
1	2	3	4	5	6	7	8	9	10
FOUNDATION FIELDBUS TERMINALS									
MMI-20026183 Rev. AC									
CHANNEL <input checked="" type="checkbox"/> ON <input type="checkbox"/> OFF									

Parameter	FF	ChB	ChC
U _I	33V	30V	30V
I _I	380mA	484mA	484mA
P _I	5.32W	2.05W	2.05W
C _I	0.27nF	0.27nF	11.27nF
L _I	5uH	5uH	5uH

Fieldbus when installed according to FISCO requirements



USB and power covers removed for clarity

Internal Ground

Warning:
Do not connect or disconnect from USB port when in hazardous atmosphere

USB	
output	
Voc	6V
Isc	120mA
Input	
Vmax	6V
Imax	120mA

85-250 Vac	50/60 Hz	N/L
18-100 Vdc		- +

Electronics: 5700 FISCO FIELDBUS