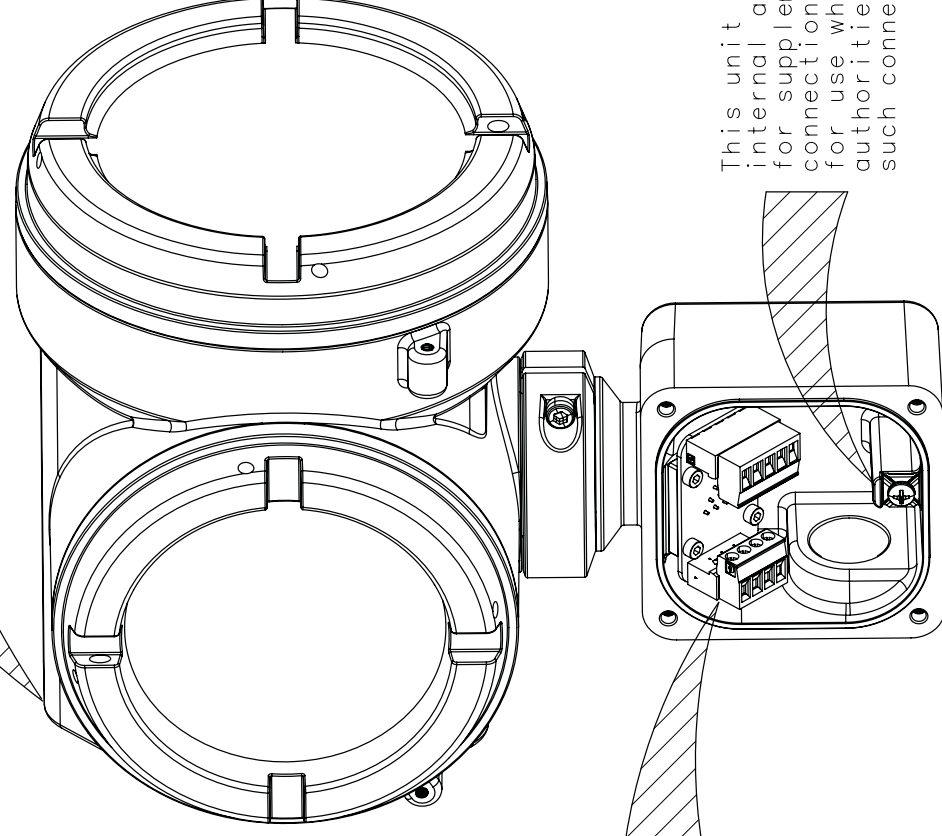


REMOTE MOUNT MODEL 5700 IN HAZARDOUS LOCATION TO SENSOR IN HAZARDOUS LOCATION

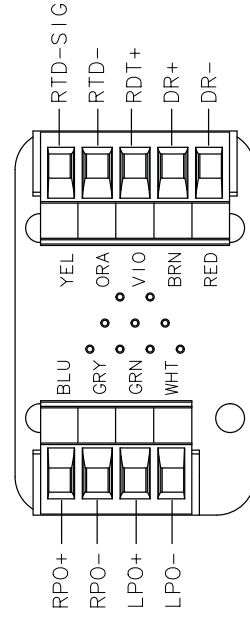
(WARNING: SUBSTITUTION OF COMPONENTS MAY IMPAIR INTRINSIC SAFETY)

For proper installation including I/O, power, gland and hazardous area location, refer to appropriate 5700 output option CSA-D-IS installation instructions

Hazardous Area
Class **I** Div. 1 Groups C,D
Class **I** Div. 2 Groups A,B,C,D
Class **II** Groups E,F,G
Temp. Code Div 1: T6
Temp. Code Div 2: T5



9 WIRE
REMOTE
INSTALLATION



This unit is provided with an internal and external terminal for supplementary bonding connection. This terminal is for use where local codes or authorities permit or require such connection.

INSTALLATION NOTES:

ASSOCIATED APPARATUS PARAMETER LIMITS	
$V_{oc} < = V_{max}$	
$I_{sc} < = I_{max}$	
$(V_{oc} \times I_{sc}) / 4 < = P_{max}$	
$*C_a > = C_{cable} + C_{i1} + C_{i2} + \dots + C_{in}$	
$*L_a > = L_{cable} + L_{i1} + L_{i2} + \dots + L_{in}$	

60 ft
maximum
cable
length

9-WIRE
IS Cable

MODEL 5700

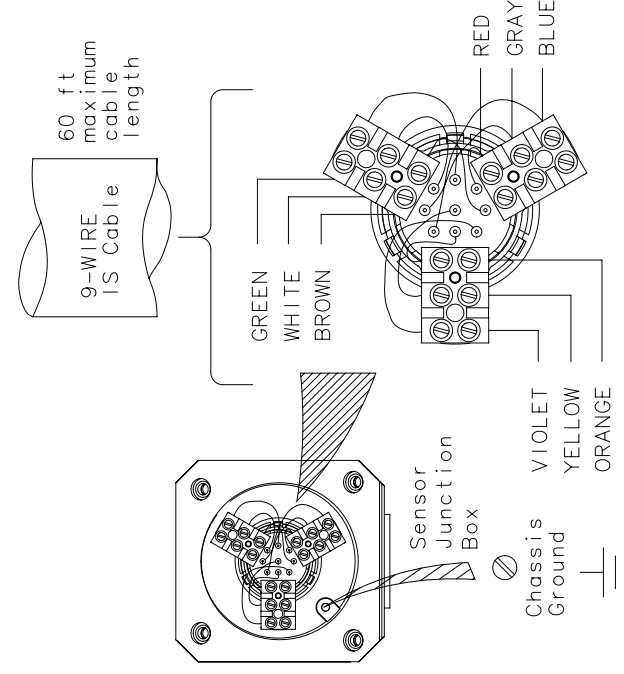
*The total C_i is equal to the sum of all C_i 's of all devices on the network.
 C_{cable} is the total capacitance of all cable on the network.

*The total L_i is equal to the sum of all L_i 's of all devices on the network.
 L_{cable} is the total inductance of all cable on the network.

If the electrical parameters of the cable are unknown, then the following values may be used:

Cable Capacitance = 60pF/ft Cable Inductance = 0.20μH/ft

This device must not be connected to any associated apparatus which uses or generates more than 250Vrms with respect to earth ground.



60 ft
maximum
cable
length

Hazardous Area
Class **I** Div. 1 Groups C and D
Class **I** Div. 2 Groups A,B,C,D
Class **II** Groups E,F,G

CAUTION:

To maintain intrinsic safety, the intrinsically safe wiring must be separated from all other wiring, and the Transmitter and Sensor must be properly grounded.

Micro Motion mass
flowmeter system
connection for
intrinsically safe
operation.

MODEL	
CMF	CMFS

Electronics:5700