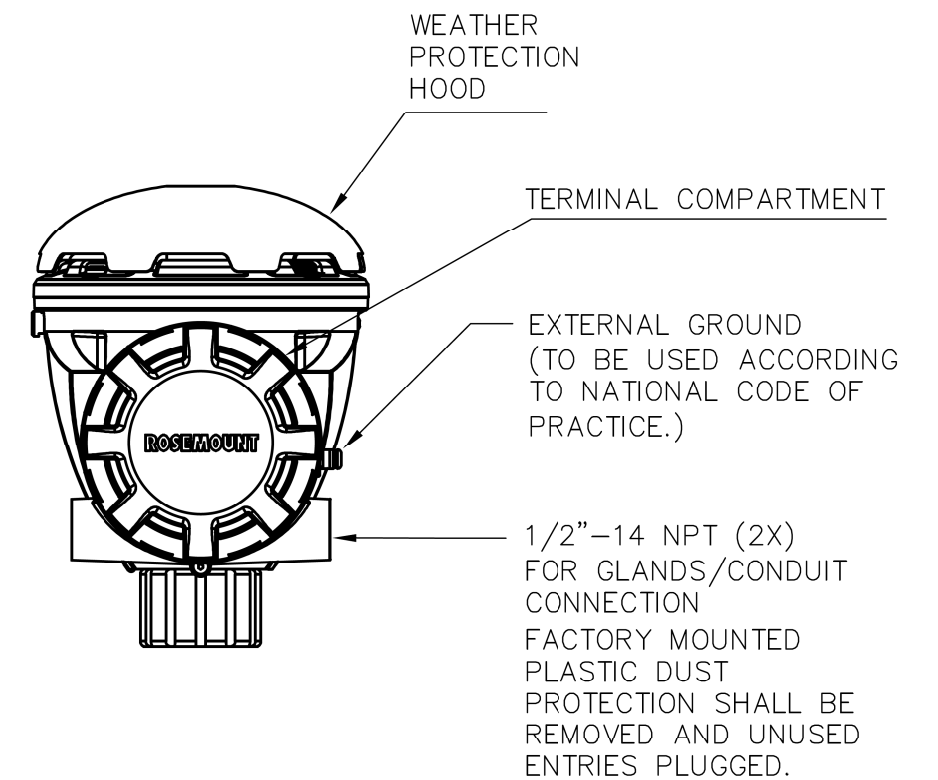


TABLE 1

FLANGE SIZE DN/ASME	ANTENNA PLATE (05) OD $\phi$ (mm)
DN50 PN10-40 2"-150/600	$\phi$ 99
DN65 PN6 2,5"-150/600	$\phi$ 110
DN65 PN10-40 3"-150/600	$\phi$ 122
DN80 PN10-40	$\phi$ 138
DN100 PN16 4"-150/600	$\phi$ 154
DN100 PN40	$\phi$ 162



1. PRESSURE AND TEMP RATING FOR PRESSURE APPLICATIONS, CALCULATION OF FLANGE THICKNESS HAS TO BE DONE WITH RESPECT TO FLANGE MATERIAL, GASKET TYPE AND BOLTING. MAX ALLOWED RATING FOR ANTENNA TANK SEAL ARE DEPENDING ON THE SEAL TYPE AND O-RING.
2. FOR REQUIRED INSTALLATION SPACE, TAKE THE ANTENNA LENGTH INTO CONSIDERATION.
3. INSIDE DIAMETER OF ANTENNA PIPE  $\phi$ 29,7 mm (T=2 mm).
4. CHECK SIL SAFETY MANUAL FOR SIL SPECIFIC INSTALLATION REQUIREMENTS.

POS	ITEM DESCRIPTION	REMARK	SUPPLIER
06	DEFLECTION PLATE	1	RTR
05	GASKET	1	SEE NOTE 1. CUSTOMER
04	ANTENNA PLATE/PIPE $\phi$ 33.7	1	DIMENSIONS, SEE TABLE 1. RTR
03	BOLTING	1	ACC TO FLANGE STD. CUSTOMER
02	FLANGE WITH CENTRE HOLE $\phi$ 34 $\pm$ 0.3mm. THICKNESS: MAX 42mm	1	FLANGE DIMENSIONS ACC TO: EN1092-1, DN50-DN100, ASME B16.5, 2"-4" P/T RATING, SEE NOTE 1. CUSTOMER
01	TANK FLANGE	1	

ISSUED BY EMe-BL	WEEK 1413	PRODUCT CODE 5900	FILE ACAD	INSTALLATION DRAWING TITLE <b>MECHANICAL INSTALLATION DWG ANTENNA STILL-PIPE 1"</b>			
APPROVED BY EMe-MH	WEEK 1414	ORIGINAL DWG NO. -	SCALE -	DOC TYPE 2	DWG NO. D7000002-178	ISSUE 02	SHEET 01/01

**ROSEMOUNT**  
Tank Gauging

1 ST ANGLE

THE COPYRIGHT/OWNERSHIP OF THIS DOCUMENT IS AND WILL REMAIN OURS. THE DOCUMENT MUST NOT BE USED WITHOUT OUR AUTHORIZATION OR BROUGHT TO THE KNOWLEDGE OF A THIRD PARTY. CONTRAVENTION WILL BE PROSECUTED. ROSEMOUNT TANK RADAR AB, SWEDEN.