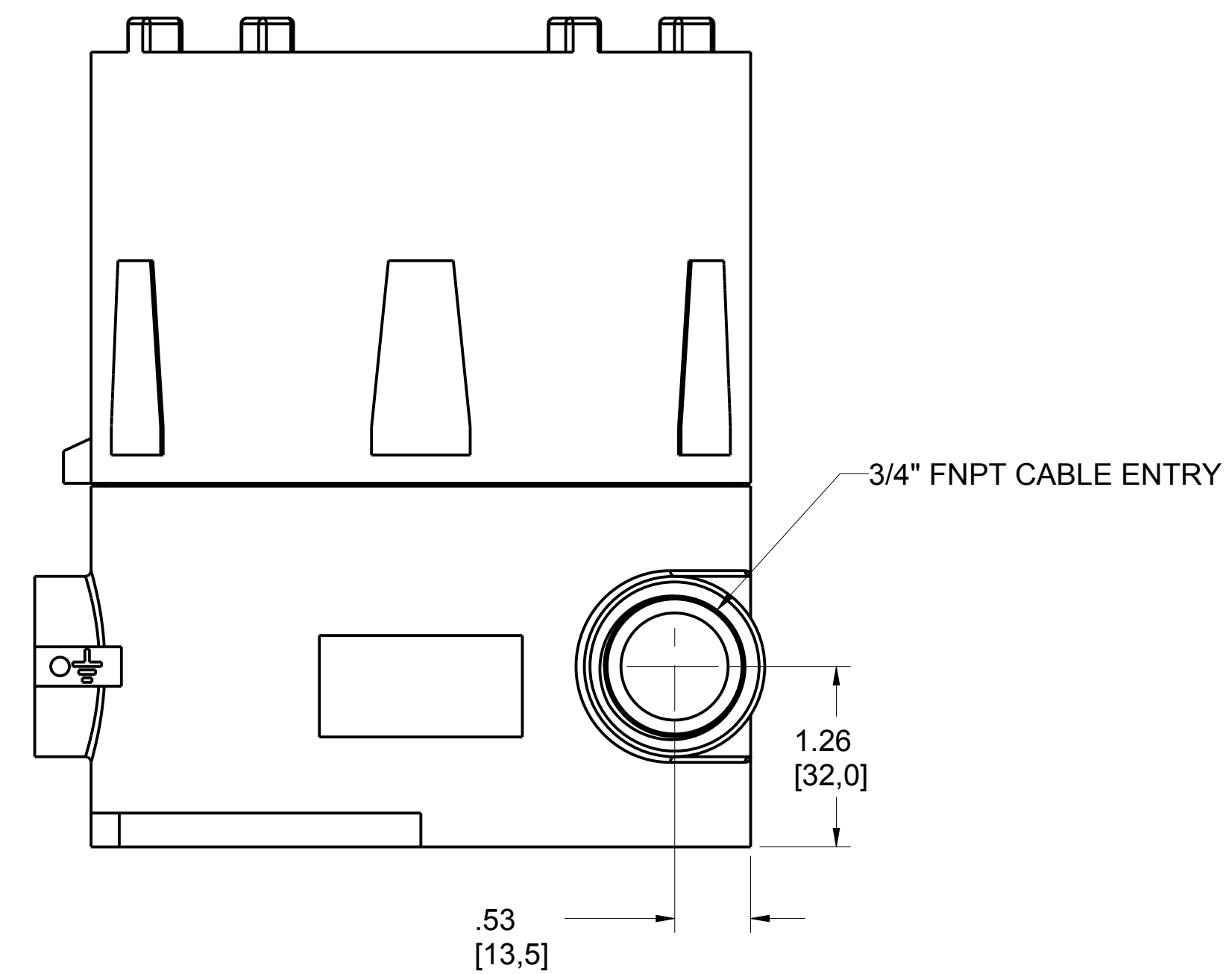
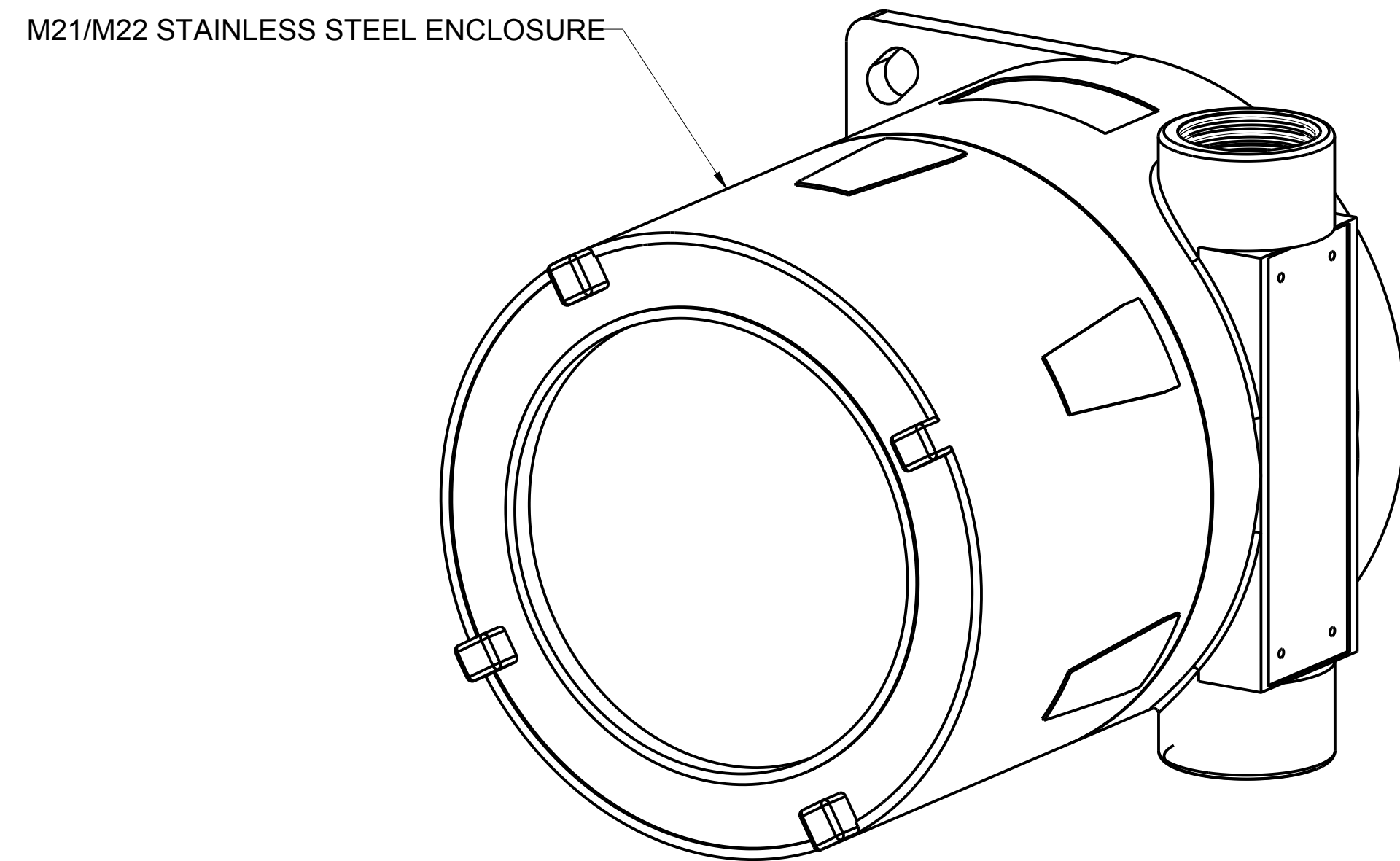
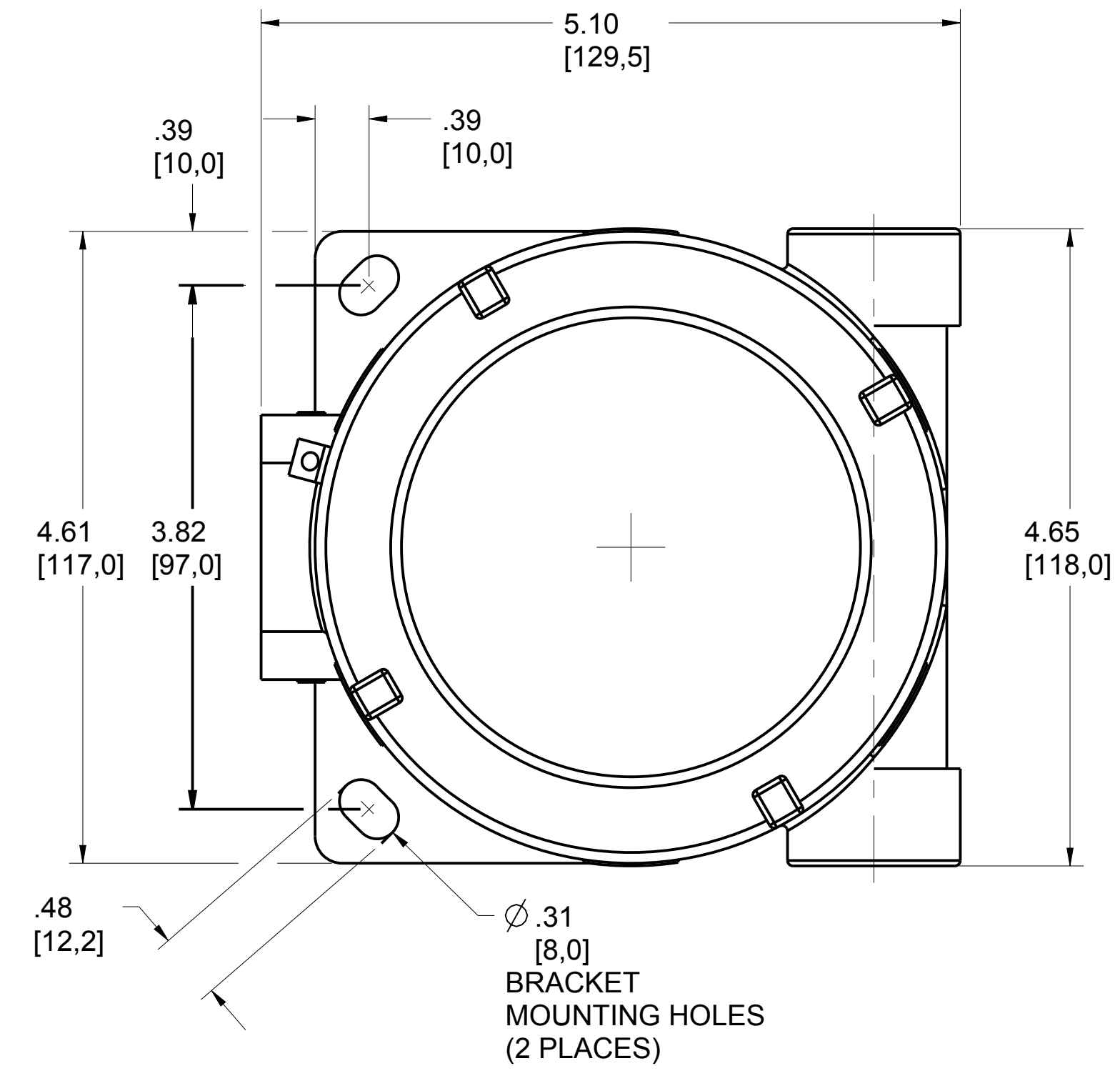
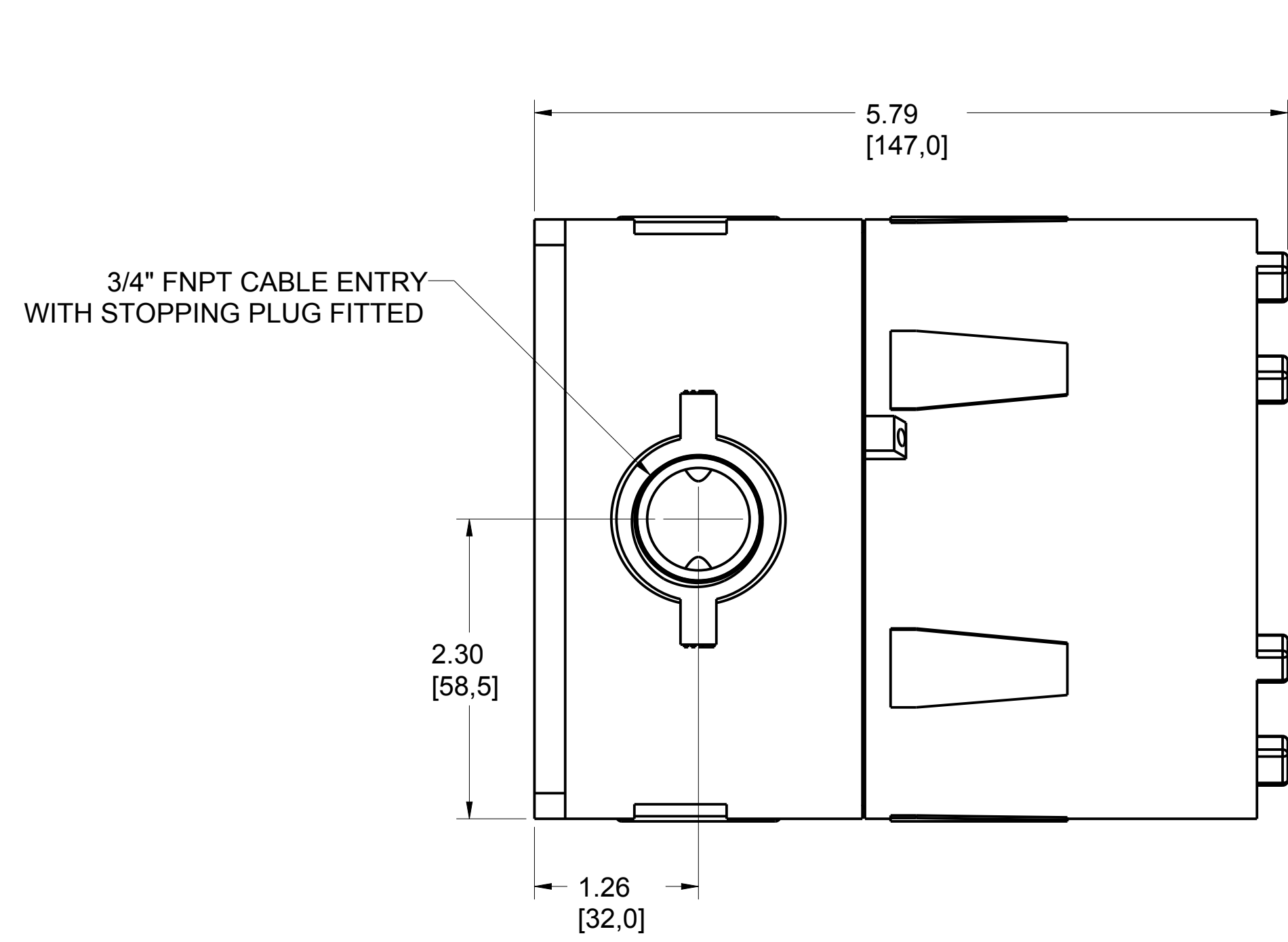


MILLENNIUM II STAINLESS STEEL (M21/M22) TRANSMITTER WITHOUT SENSOR

REVISION TABLE			
REVISION	ECO NO.	APP'D	DATE
AA			18/09/15
DESCRIPTION			
NEW RELEASE			



NOTES:

1. THE TRANSMITTER ENCLOSURE HAS THREE 3/4" FNPT CABLE ENTRIES; ONE ENTRY IS FITTED WITH A STOPPING PLUG.

©2015 ROSEMOUNT INC. THESE DRAWINGS ARE IN ACCORDANCE WITH ROSEMOUNT ENGINEERING SPECIFICATIONS. UNLESS OTHERWISE SPECIFIED, THE EQUIPMENT SHALL BE FURNISHED AGAINST THE NOTED P.O. UNIT NOTES IN INCHES (mm).

EMERSON
Process Management

TITLE ROSEMOUNT ANALYTICAL M21/M22 TYPE I DRAWING

DR. R.ROBETE 18/09/15 DRAWING NO. GD-0002A-00

APP'D

CAD MAINTAINED, (PRO/E) SHEET 1 OF 3

3RD ANGLE

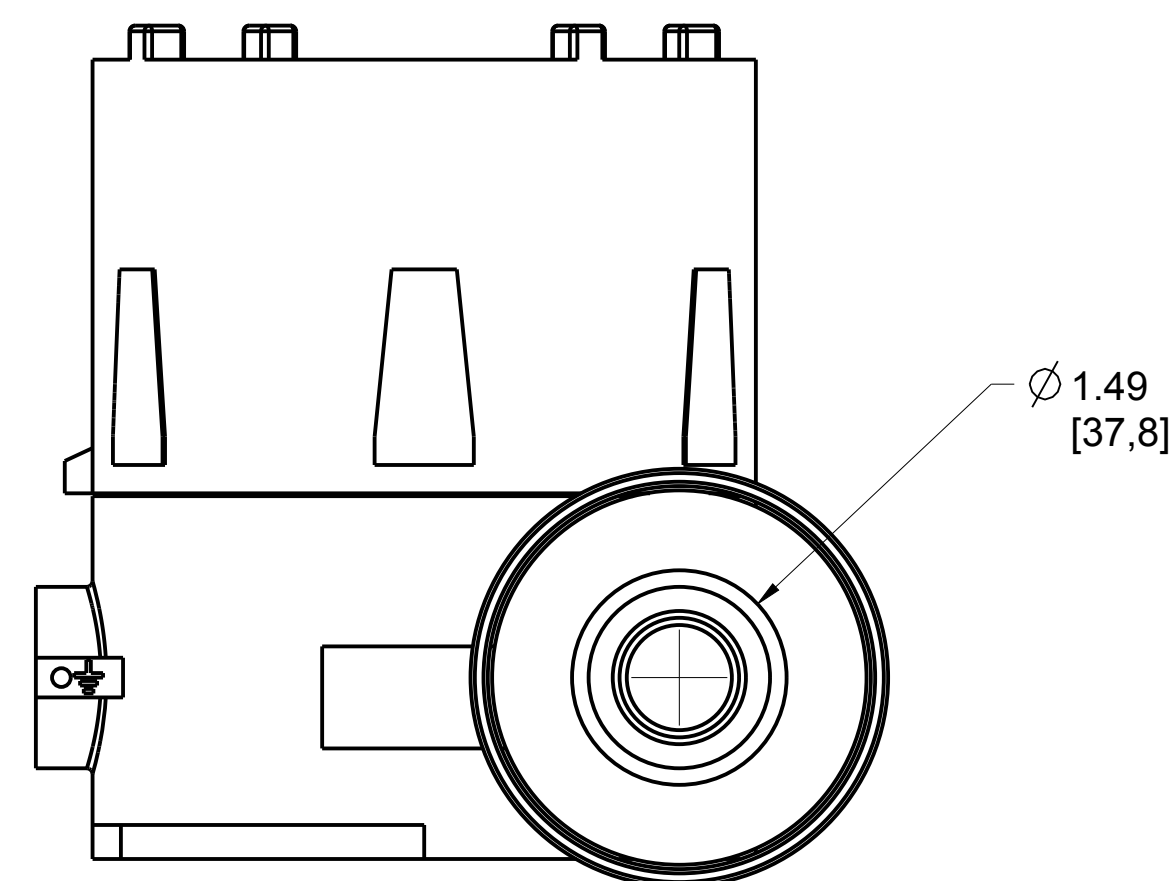
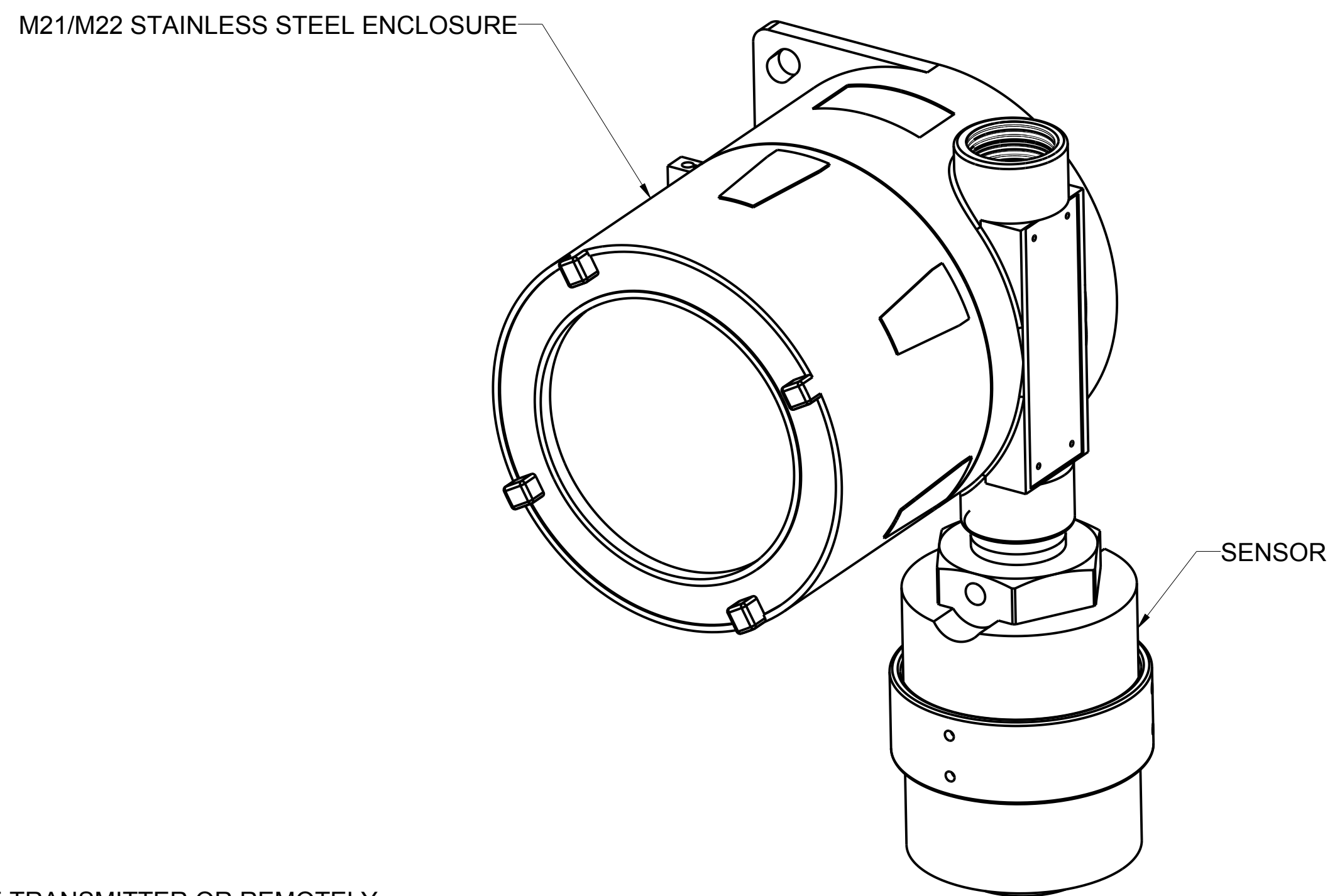
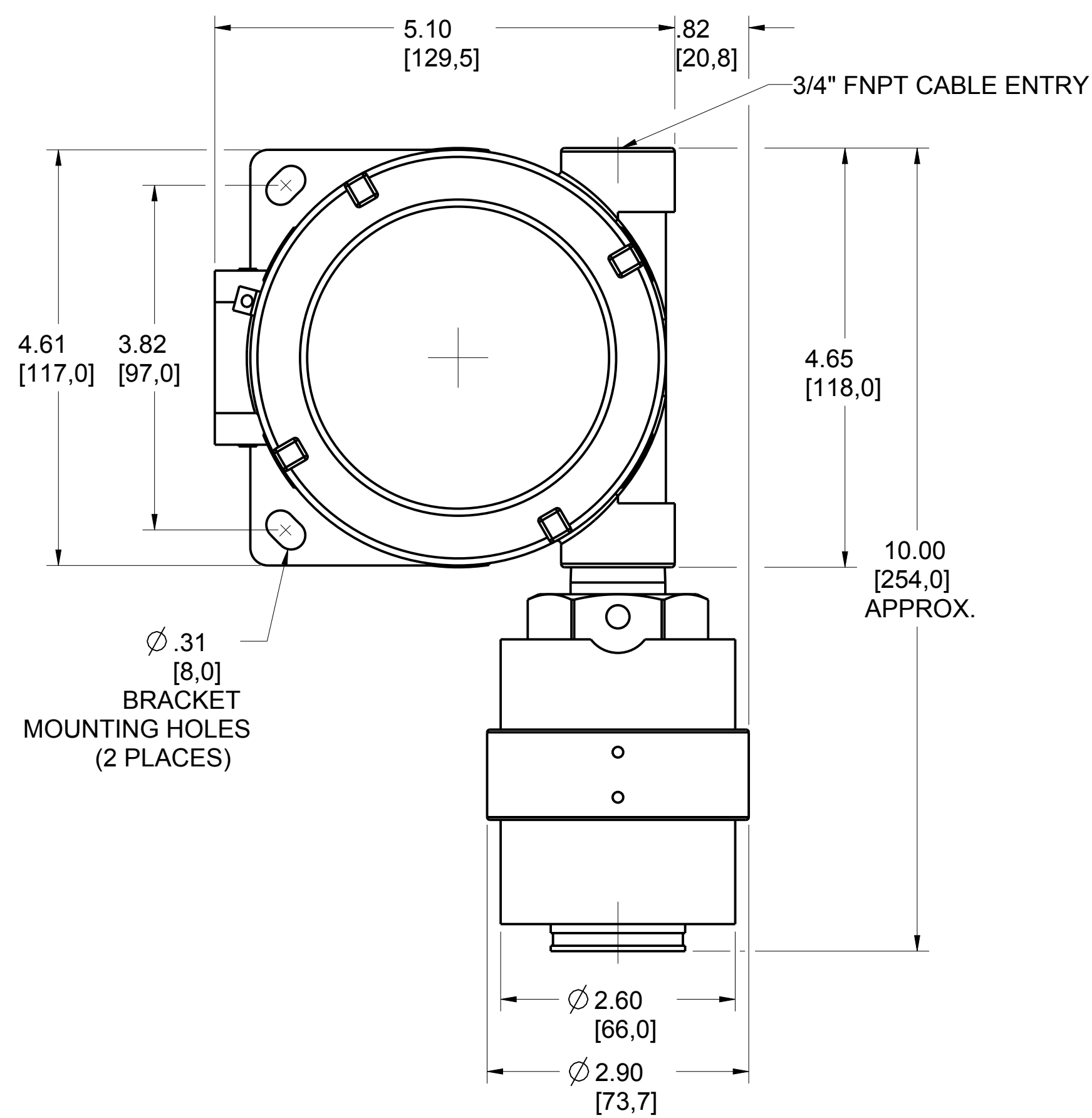
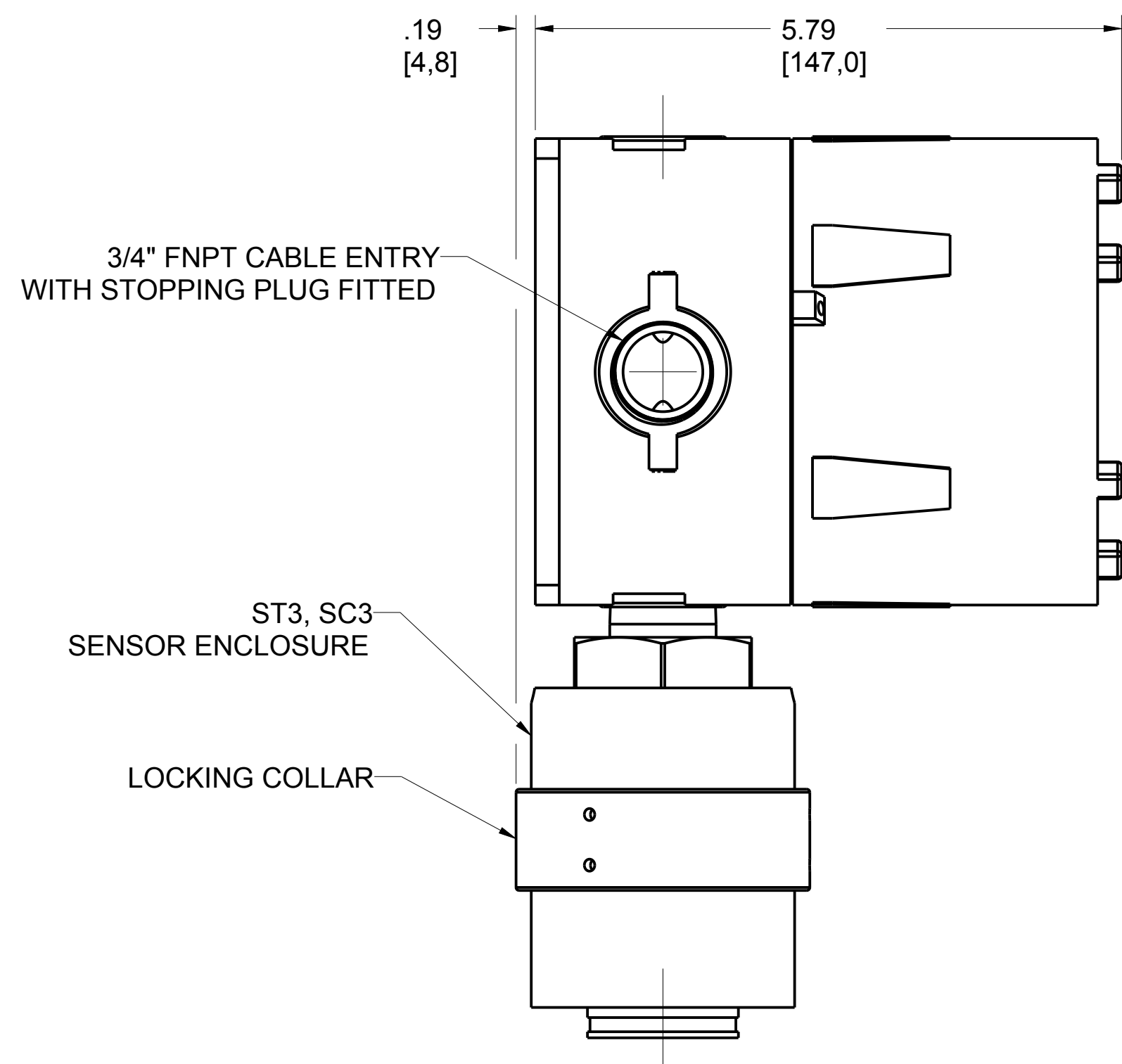
SIZE D

SCALE NTS

REFERENCE ROSEMOUNT PRODUCT DATA SHEETS FOR PRODUCT SPECIFICATIONS. CLICK HERE

MILLENNIUM II STAINLESS STEEL (M21/M22) TRANSMITTER WITH SENSOR

REVISION TABLE			
REVISION	ECO NO.	APP'D	DATE
AA			18/09/15
DESCRIPTION			
NEW RELEASE			



NOTES:

1. THE SENSOR MAY BE FITTED DIRECTLY TO THE TRANSMITTER OR REMOTELY USING A NET SAFETY JUNCTION BOX.
2. THE TRANSMITTER ENCLOSURE HAS THREE 3/4" FNPT CABLE ENTRIES; ONE ENTRY IS FITTED WITH A STOPPING PLUG.
3. THE ST3 OR SC3 SERIES SENSOR ENCLOSURE HAS A 3/4" MNPT CONNECTION.

©2015 ROSEMOUNT INC. THESE DRAWINGS ARE IN ACCORDANCE WITH ROSEMOUNT ENGINEERING SPECIFICATIONS. UNLESS OTHERWISE SPECIFIED, THE EQUIPMENT REPRESENTED HEREIN IS TO BE FURNISHED AGAINST THE NOTED P.O. UNIT NOTES IN INCHES (mm).

EMERSON
Process Management

TITLE ROSEMOUNT ANALYTICAL M21/M22 TYPE I DRAWING

DR. R.ROBETE 18/09/15 DRAWING NO. GD-0002B-00

APP'D

CAD MAINTAINED, (PRO/E) SHEET 1 OF 1

3RD ANGLE

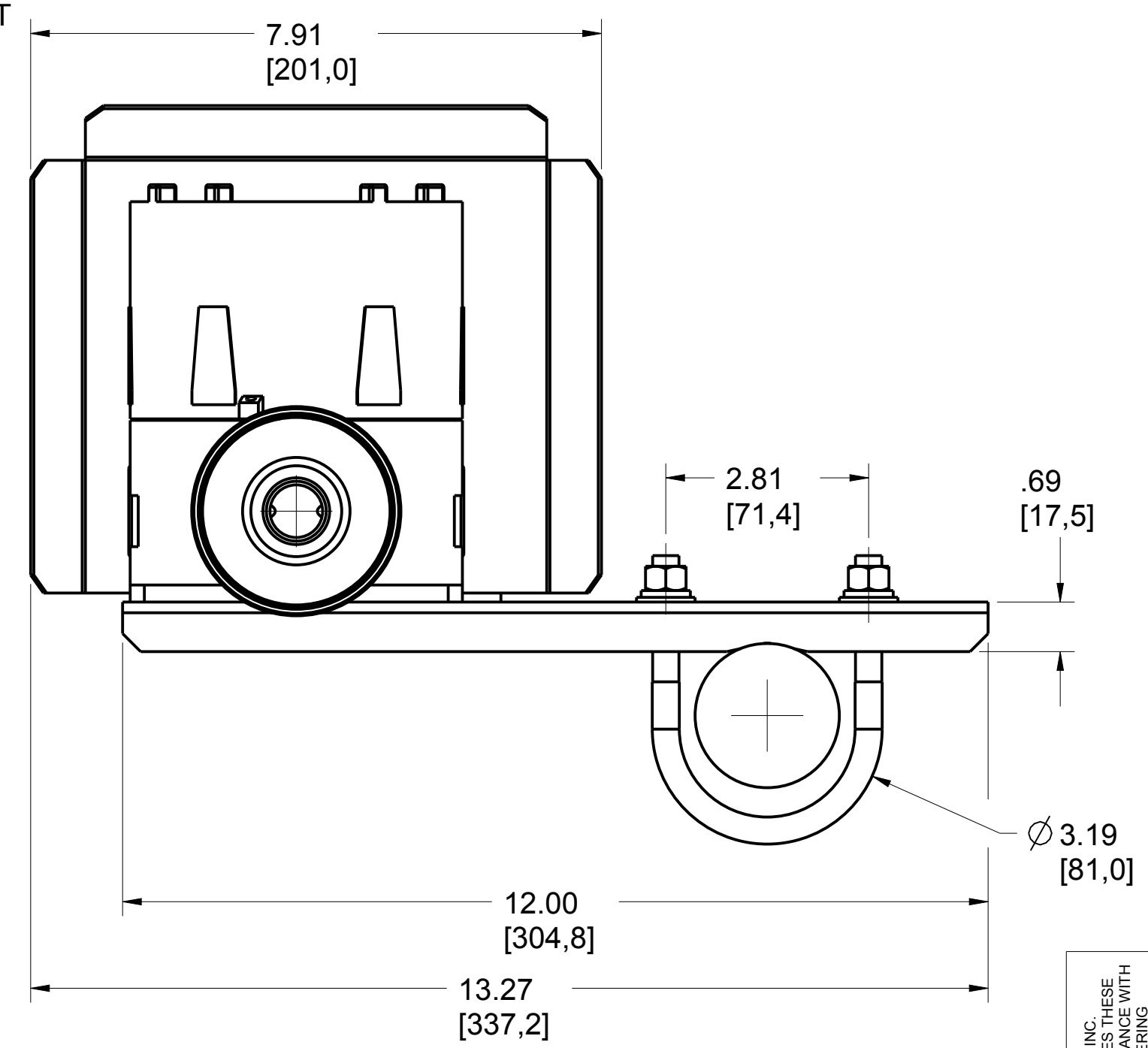
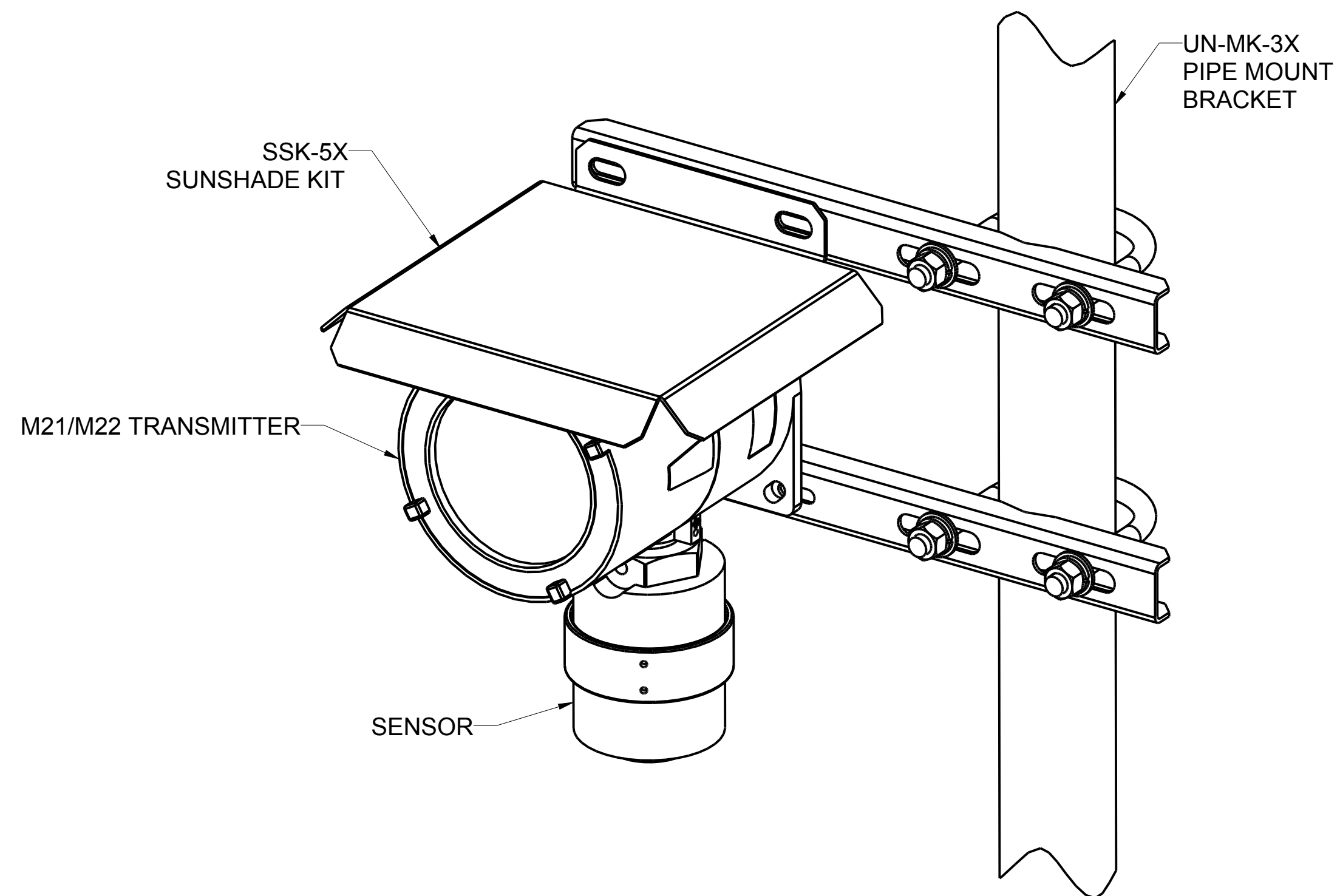
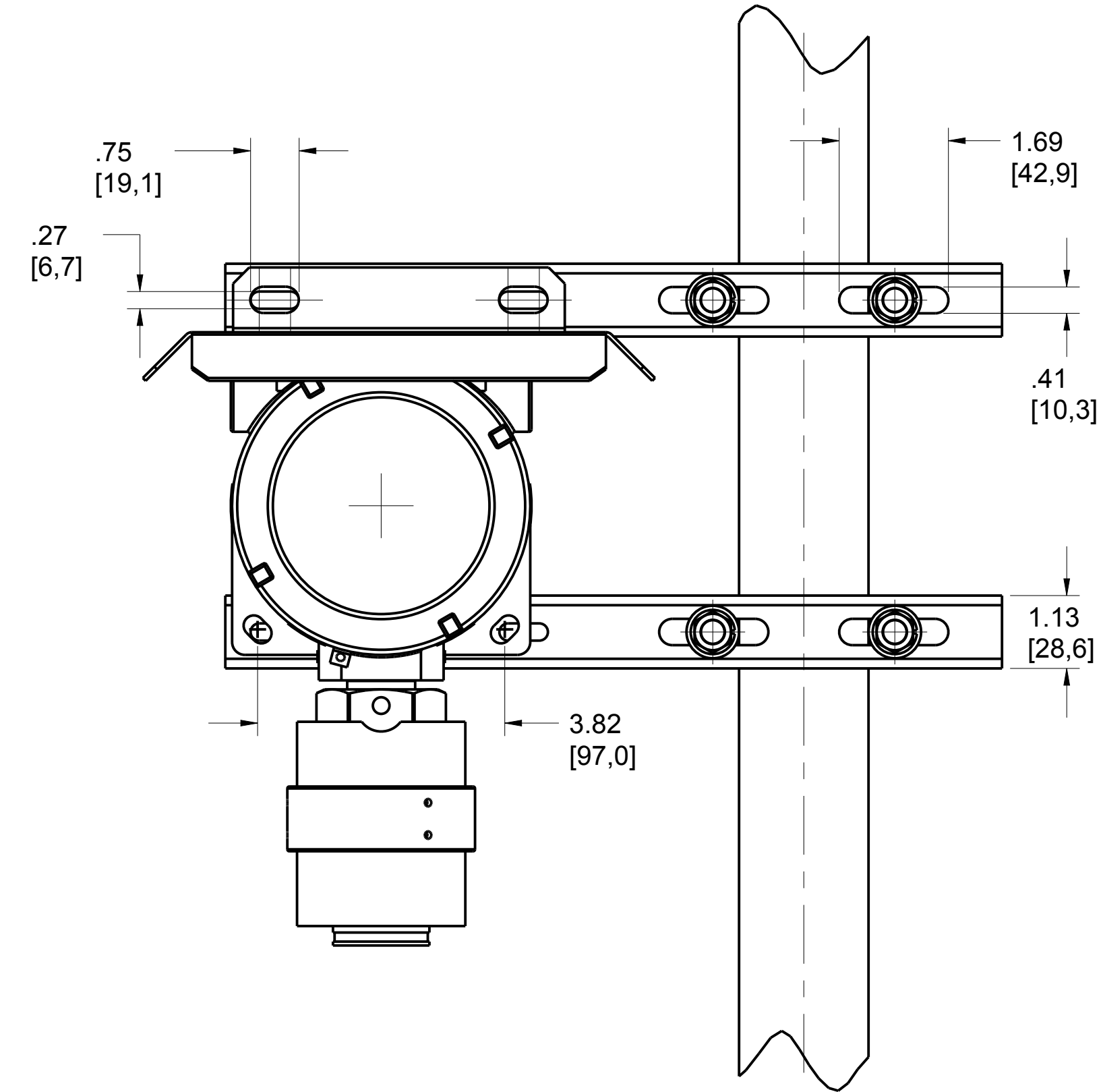
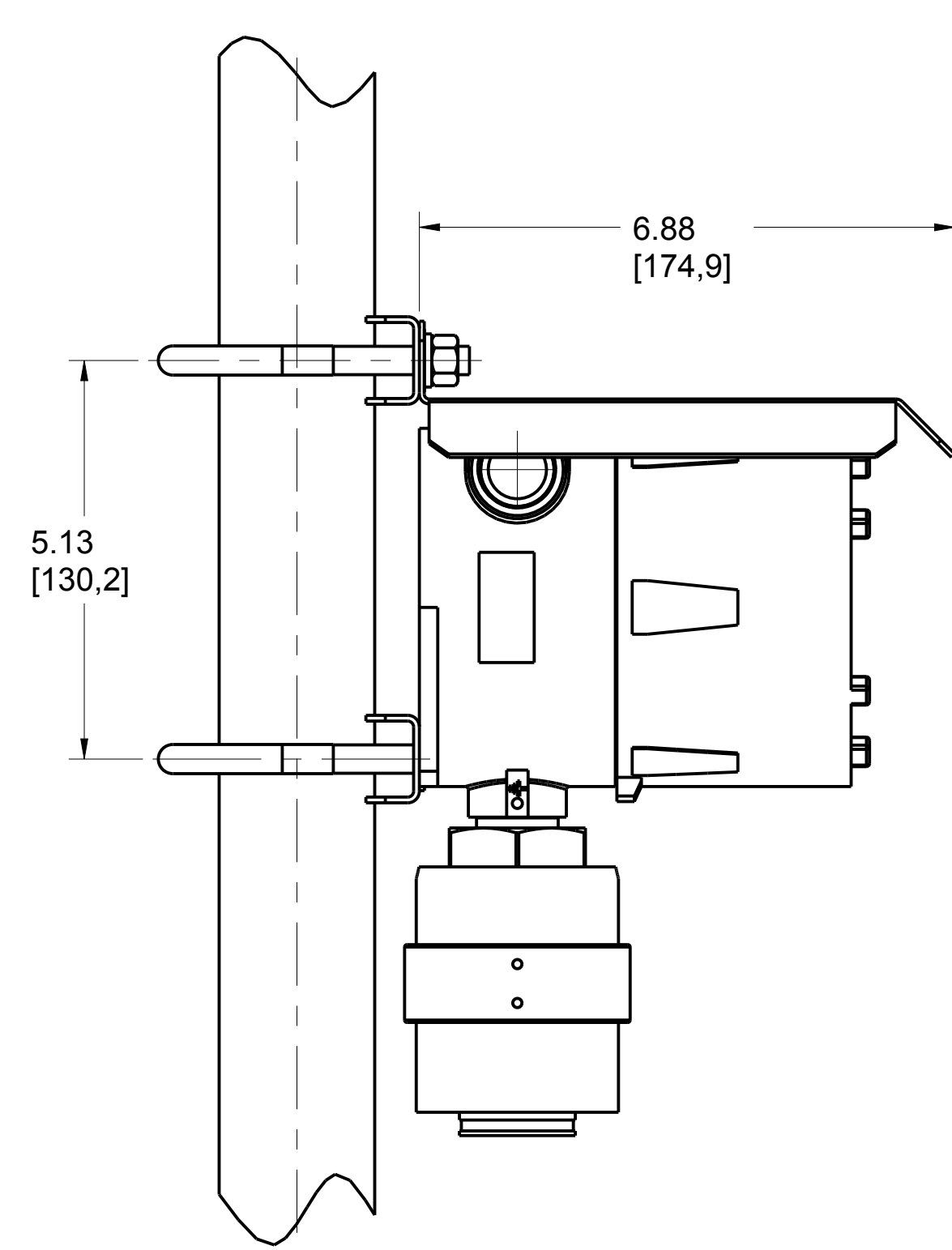
SIZE D

SCALE NTS

REFERENCE ROSEMOUNT PRODUCT DATA SHEETS FOR PRODUCT SPECIFICATIONS. CLICK HERE

MILLENNIUM II STAINLESS STEEL (M21/M22) TRANSMITTER WITH PIPE MOUNT BRACKET (UN-MK-3X) AND SUNSHADE KIT (SSK-5X)

REVISION TABLE			
REVISION	ECO NO.	APP'D	DATE
AA			31/08/15
DESCRIPTION			
NEW RELEASE			



NOTES:

1. 2 INCH UN-MK-3X AND SSK-5X ARE SHOWN IN THIS DRAWING.
2. MILLENNIUM II ELECTRONICS SHOULD BE ROTATED IN THE HOUSING TO USE THE TRANSMITTER IN THIS ORIENTATION.

©2015 ROSEMOUNT INC.
ROSEMOUNT INC. THESE
DRAWINGS ARE IN ACCORDANCE WITH
ROSEMOUNT ENGINEERING
SPECIFICATIONS. UNLESS OTHERWISE
SPECIFIED, ALL DIMENSIONS SHALL
REPRESENT THE EQUIPMENT
FURNISHED AGAINST THE NOTED P.O.
UNIT NOTES IN INCHES (mm).
REFERENCE ROSEMOUNT PRODUCT
DATA SHEETS FOR PRODUCT
SPECIFICATIONS.
CLICK HERE

		3RD ANGLE		SIZE D	SCALE NTS
TITLE ROSEMOUNT ANALYTICAL M21/M22 TYPE I DRAWING					
DR.	R.ROBETE	31/08/15	DRAWING NO.		
APP'D			GD-0002C-00		
CAD MAINTAINED, (PROE)				SHEET 3 OF 3	