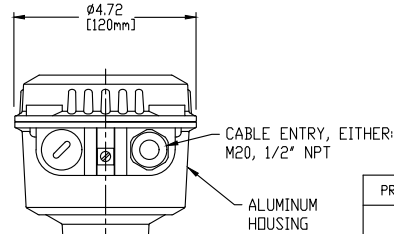
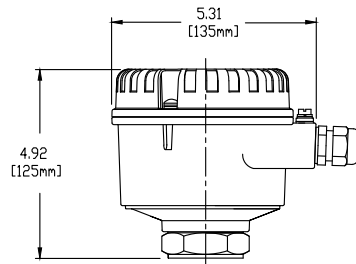
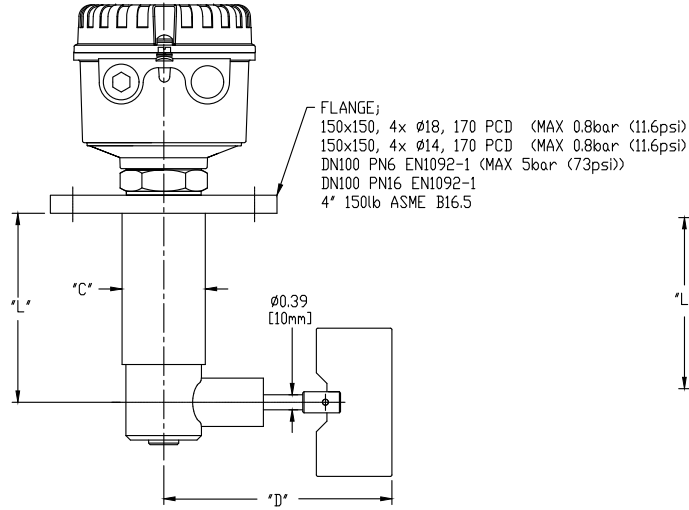


ROSEMOUNT 2501 (K) SOLIDS LEVEL SWITCH
ROTATING PADDLE

STANDARD HOUSING



EXTENSION LENGTH L:
4.92" [125mm]
5.90" [150mm]
7.87" [200mm]
9.74" [250mm]
11.80" [300mm]
OTHER LENGTHS MIN 13.78" [350mm], MAX 23.62" [600mm]



FLANGE;
150x150, 4x Ø18, 170 PCD (MAX 0.8bar (11.6psi))
150x150, 4x Ø14, 170 PCD (MAX 0.8bar (11.6psi))
DN100 PN6 EN1092-1 (MAX 5bar (73psi))
DN100 PN16 EN1092-1
4" 150lb ASME B16.5

PROCESS TEMPERATURE	DIMM 'B'
176°F [80°C] 0.8 bar (11.6 psi)	.39" [10mm]
176°F (80°C) 5 / 10 bar (73 / 145 psi)	2.95" [75mm]
302 / 482°F (150 / 250°C) 0.8 / 5 / 10 bar (11.6 / 73 / 145 psi)	8.27" [210mm]

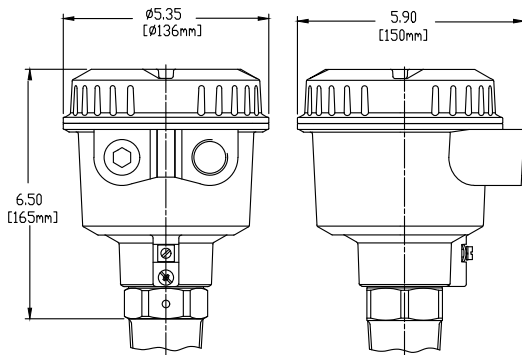
MATERIAL	DIM 'C'
STEEL	Ø2.17" [55mm]
ALUMINIUM	Ø2.36" [60mm]

VANE	DIM 'D'
1.97" x ..." [50mm x ...mm]	5.47" [139mm]
3.86" x ..." [98mm x ...mm]	7.36" [187mm]

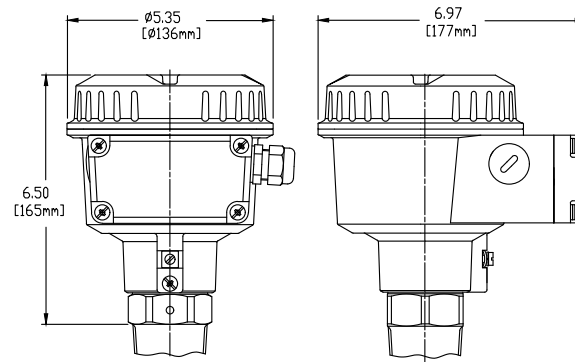
FOR MEASURING VANE
OPTIONS REFER TO
DRG 02500-1002

TEMPERATURE EXTENDED
SHAFT

FLAMEPROOF HOUSING



FLAMEPROOF INCREASED SAFETY HOUSING



72015 ROSEMOUNT INC.
ROSEMOUNT INC. CERTIFIES
THESE DRAWINGS ARE IN
CONFORMANCE WITH THE
ROSEMOUNT ENGINEERING
SPECIFICATIONS.
UNIT NOTES IN INCHES (mm).

REFERENCE ROSEMOUNT
PRODUCT DATA SHEETS FOR
PRODUCT SPECIFICATIONS.
CLICK HERE

3RD ANGLE		SIZE A2	SCALE 1:2.5
EMERSON			
TITLE DRG, TYPE 1, SOLID LEVEL SWITCH			
DR. PC-IM	7/30/2020	DRAWING NO.	02501-1005
APP'D CT	7/30/2020		
CAD MAINTAINED		SHEET 1 OF 1	

REVISION TABLE			
REVISION	ECD NO.	APP'D	DATE
AB	RTC1076043	D. ISAKSSON	9/28/2020
DESCRIPTION			
PHASE 2 RELEASED			