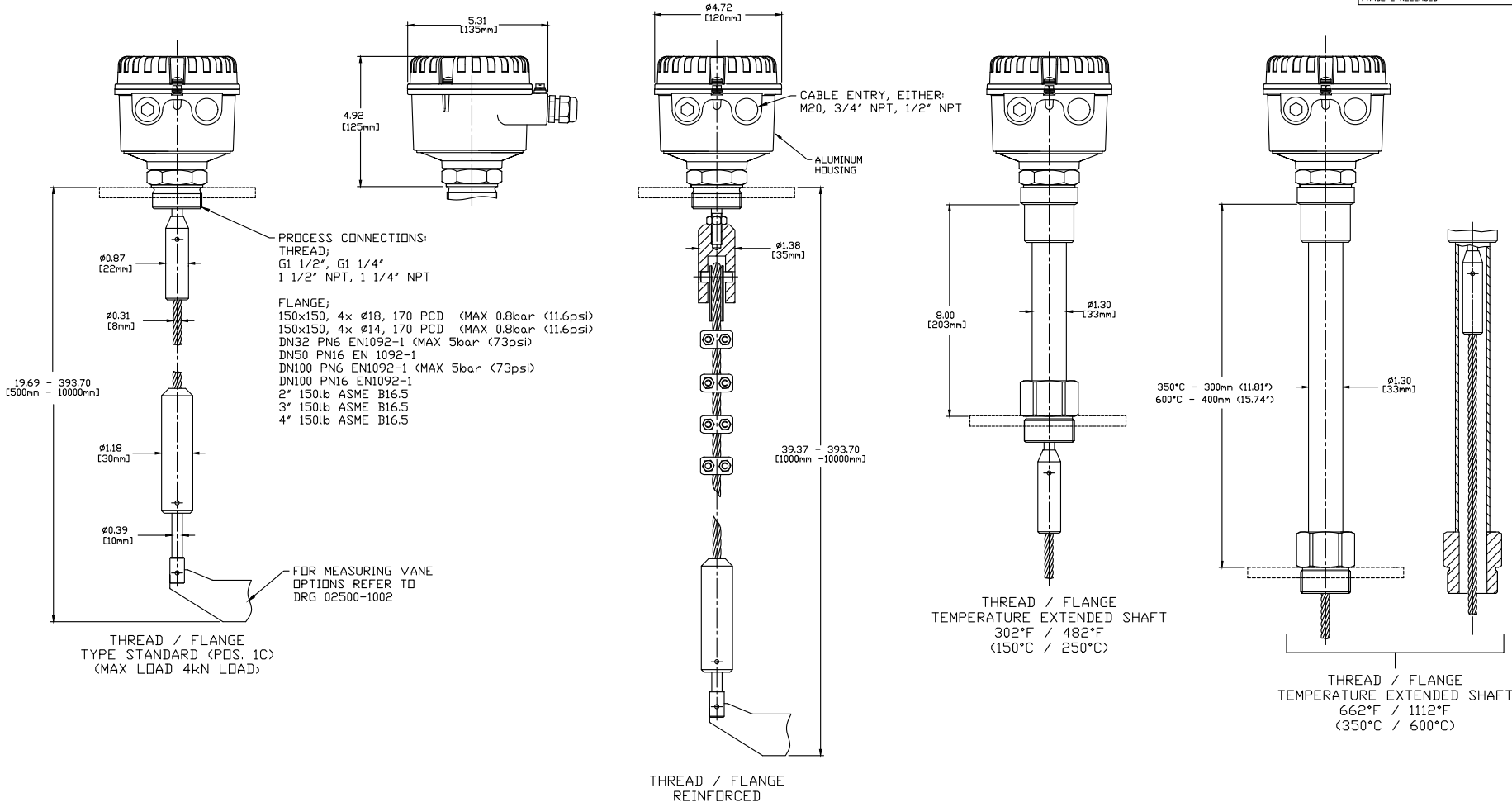


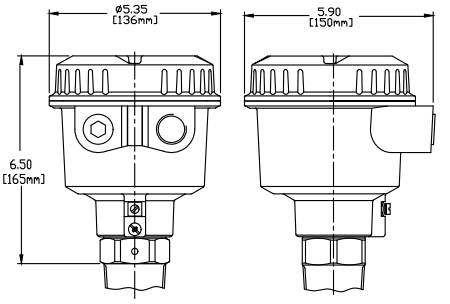
ROSEMOUNT 2501 (S) SOLIDS LEVEL SWITCH  
ROTATING PADDLE (ROPE EXTENDED LENGTH)

REVISION TABLE			
REVISION	ECD NO.	APP'D	DATE
AB	RTC1076043	D. ISAKSSON	9/28/2020
DESCRIPTION			
PHASE 2 RELEASED			

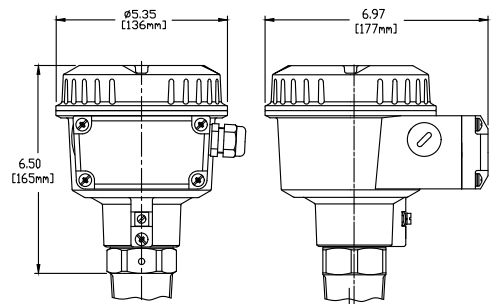
STANDARD HOUSING



FLAMEPROOF HOUSING



FLAMEPROOF INCREASED SAFETY HOUSING



©2015 ROSEMOUNT INC.  
ROSEMOUNT INC. CERTIFIES  
THESE DRAWINGS ARE IN  
CONFORMANCE WITH THE  
ROSEMOUNT ENGINEERING  
SPECIFICATIONS.  
UNIT NOTES IN INCHES (mm).

REFERENCE ROSEMOUNT  
PRODUCT DATA SHEETS FOR  
PRODUCT SPECIFICATIONS.  
CLICK HERE

3RD ANGLE		SIZE	A2	SCALE	1:3
<b>EMERSON</b>					
TITLE DRG, TYPE 1, SOLID LEVEL SWITCH					
DR.	PC-IM	7/30/2020	DRAWING NO.	02501-1004	
APP'D	CT	7/30/2020			
CAD MAINTAINED			SHEET 1 OF 1		