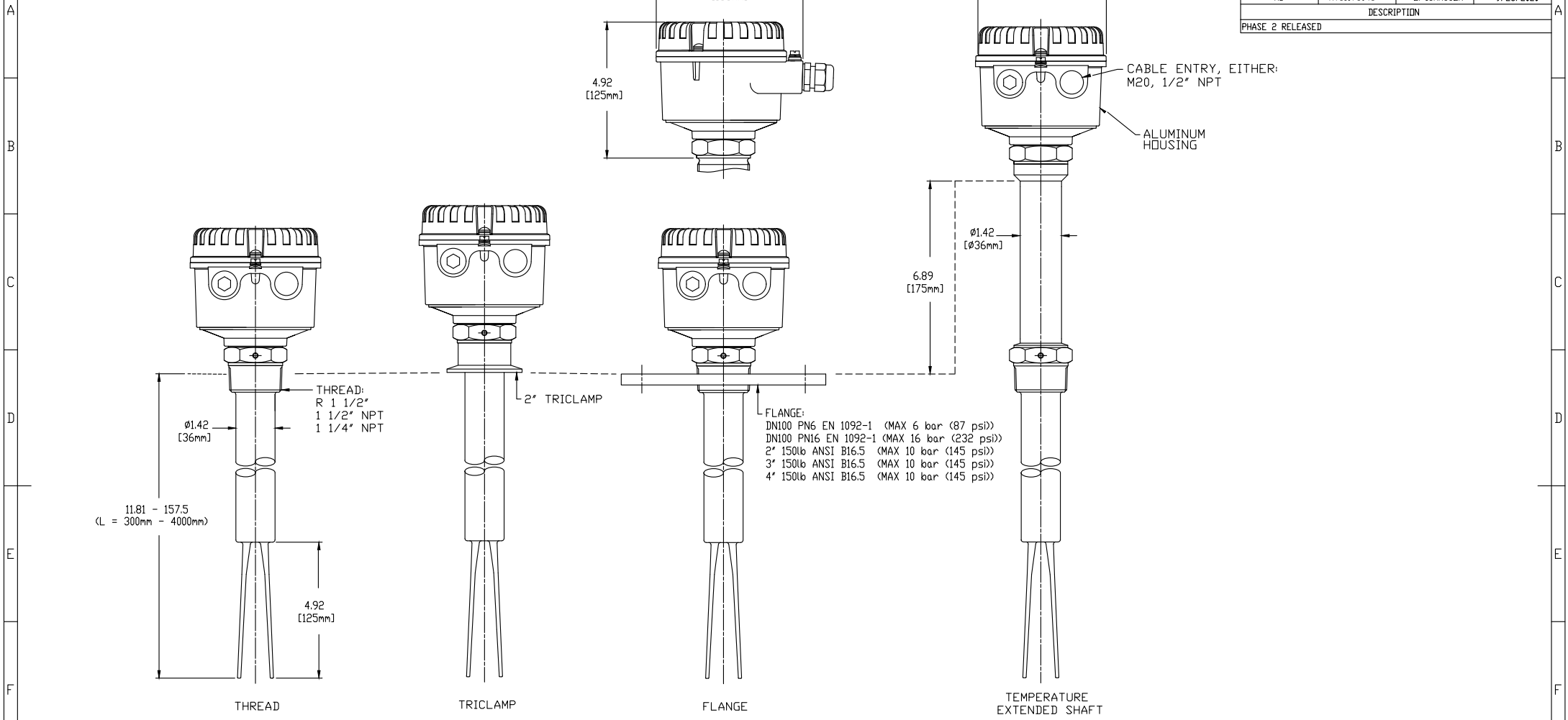


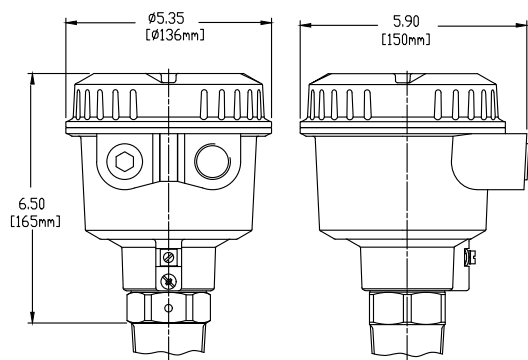
ROSEMOUNT 2511 SOLIDS LEVEL SWITCH
VIBRATING FORK (EXTENDED LENGTH)

STANDARD HOUSING

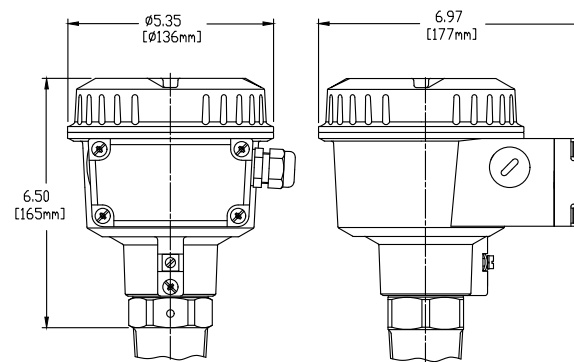
REVISION TABLE			
REVISION	ECD NO.	APP'D	DATE
AB	RTC1076043	D. ISAKSSON	9/28/2020
DESCRIPTION			
PHASE 2 RELEASED			



FLAMEPROOF HOUSING



FLAMEPROOF INCREASED SAFETY HOUSING



ROSEMOUNT INC. ROSEMOUNT INC. CERTIFIES THE ACCURACY OF THE DIMENSIONS SHOWN IN THESE DRAWINGS. ROSEMOUNT ENGINEERING SPECIFICATIONS. UNIT NOTES IN INCHES (mm). REFERENCE ROSEMOUNT PRODUCT DATA SHEETS FOR PRODUCT SPECIFICATIONS. CLICK HERE	3RD ANGLE	SIZE A2	SCALE 1:2.5
	TITLE ROSEMOUNT 2511 SOLID LEVEL SWITCH		
	VN4030		
DR. PC-IM 7/30/2020	DRAWING NO. 02511-1003		
APP'D. CT 7/30/2020	CAD MAINTAINED		SHEET 1 OF 1