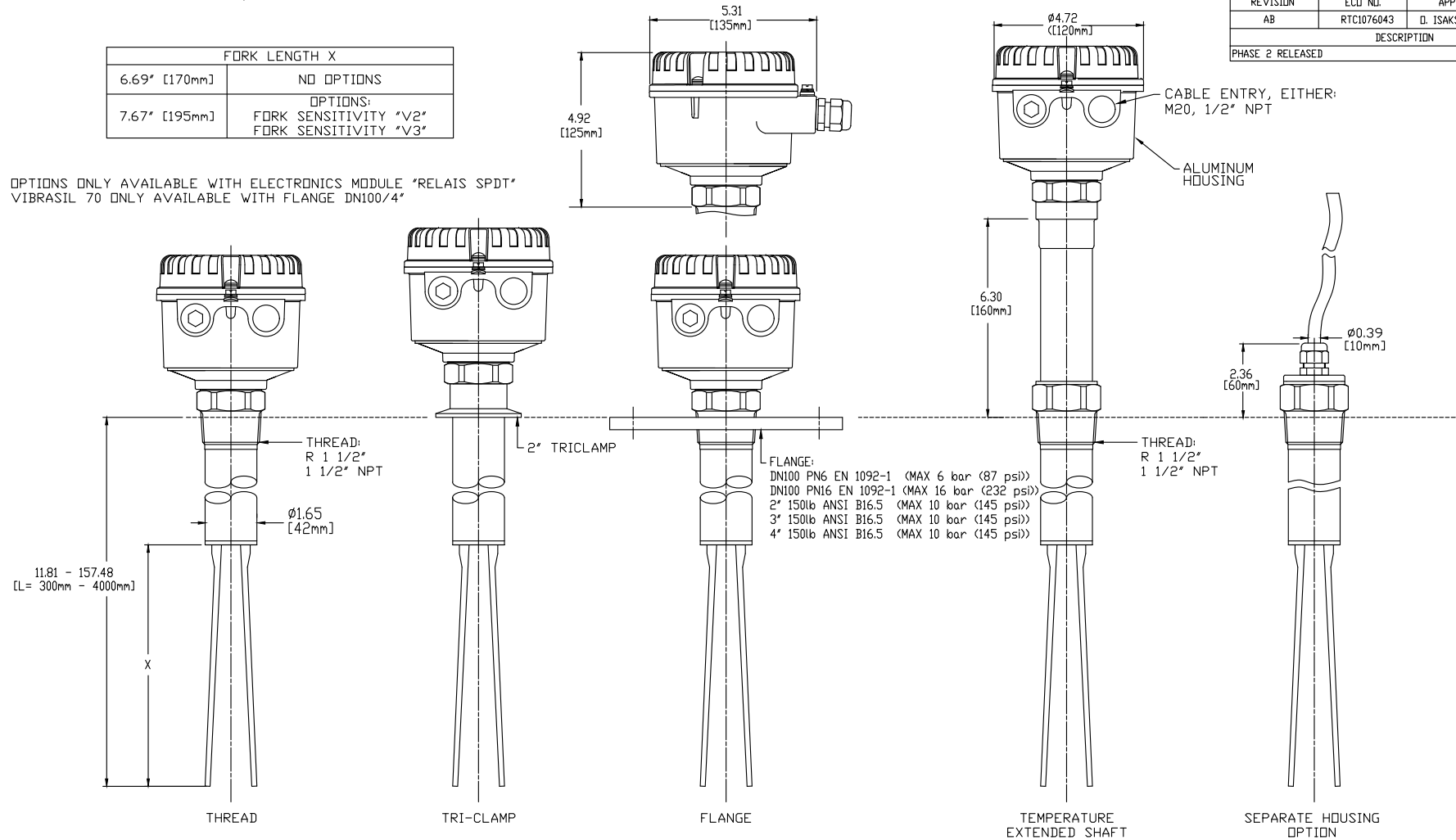


ROSEMOUNT 2521H SOLIDS LEVEL SWITCH
VIBRATING FORK (TUBE EXTENDED LENGTH, ENHANCED FORK SENSITIVITY)

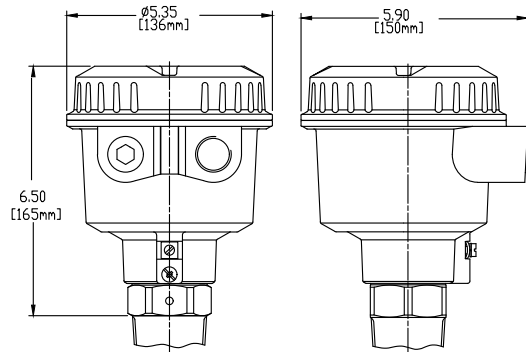
REVISION TABLE			
REVISION	ECD NO.	APP'D	DATE
AB	RTC1076043	D. ISAKSSON	9/28/2020
DESCRIPTION			
PHASE 2 RELEASED			

FORK LENGTH X	
6.69' [170mm]	NO OPTIONS
7.67' [195mm]	OPTIONS: FORK SENSITIVITY "V2" FORK SENSITIVITY "V3"

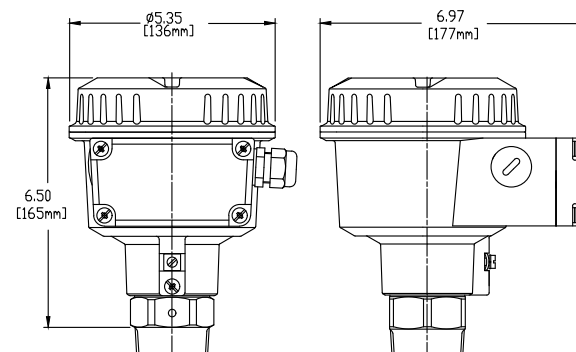
OPTIONS ONLY AVAILABLE WITH ELECTRONICS MODULE "RELAIS SPDT"
VIBRASIL 70 ONLY AVAILABLE WITH FLANGE DN100/4"



FLAMEPROOF HOUSING



FLAMEPROOF INCREASED SAFETY HOUSING



© 2015 ROSEMOUNT INC.
ROSEMOUNT INC. CERTIFIES
THESE DRAWINGS ARE IN
CONFORMANCE WITH THE
ROSEMOUNT ENGINEERING
SPECIFICATIONS.
UNIT NOTES IN INCHES (mm).
REFERENCE ROSEMOUNT
PRODUCT DATA SHEETS FOR
PRODUCT SPECIFICATIONS.
CLICK HERE

3RD ANGLE		SIZE A2	SCALE 1:2.5
EMERSON			
TITLE DRG, TYPE 1, SOLID LEVEL SWITCH			
DR.	PC-IM	7/30/2020	DRAWING NO.
APP'D	CT	7/30/2020	02521-1006
CAD MAINTAINED			SHEET 1 OF 1