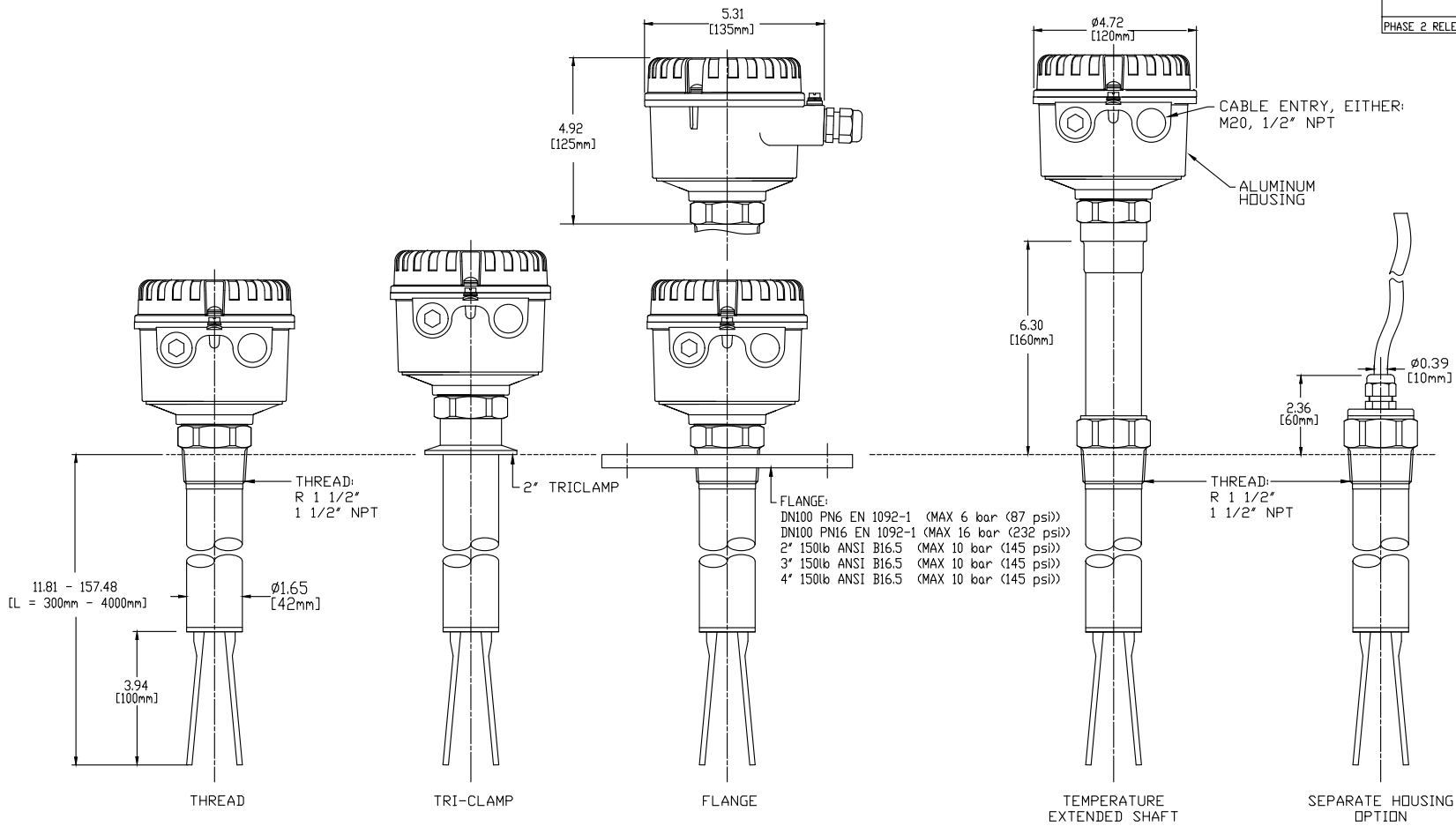
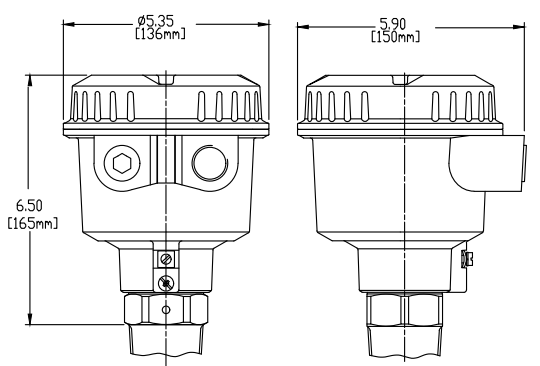


ROSEMOUNT 2521 SOLIDS LEVEL SWITCH
VIBRATING FORK (TUBE EXTENDED LENGTH)

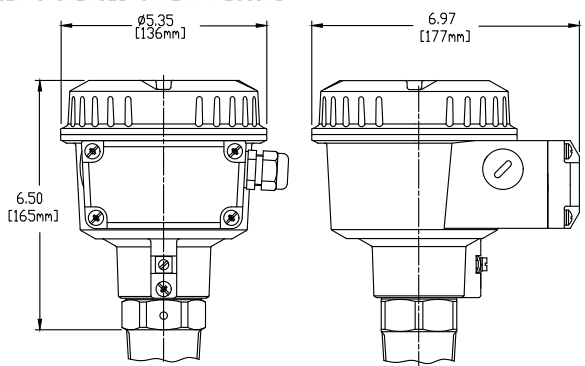
REVISION TABLE			
REVISION	ECD NO.	APP'D	DATE
AB	RTC1076043	D. ISAKSSON	9/28/2020
DESCRIPTION			
PHASE 2 RELEASED			



FLAMEPROOF HOUSING



FLAMEPROOF INCREASED SAFETY HOUSING



72015 ROSEMOUNT INC. ROSEMOUNT INC. CERTIFIES THE ACCURACY OF THE DIMENSIONS SHOWN IN THIS DRAWING. ANY DIMENSIONS NOT SHOWN ARE IN ACCORDANCE WITH ROSEMOUNT ENGINEERING SPECIFICATIONS. UNIT NOTES IN INCHES (mm). REFERENCE ROSEMOUNT PRODUCT DATA SHEETS FOR PRODUCT SPECIFICATIONS. CLICK HERE	3RD ANGLE		SIZE A2	SCALE 1:2.5
	TITLE DRG, TYPE 1, SOLID LEVEL SWITCH			
	DR. PC-IM APP'D. CT	7/30/2020 7/30/2020	DRAWING NO. 02521-1003	SHEET 1 OF 1