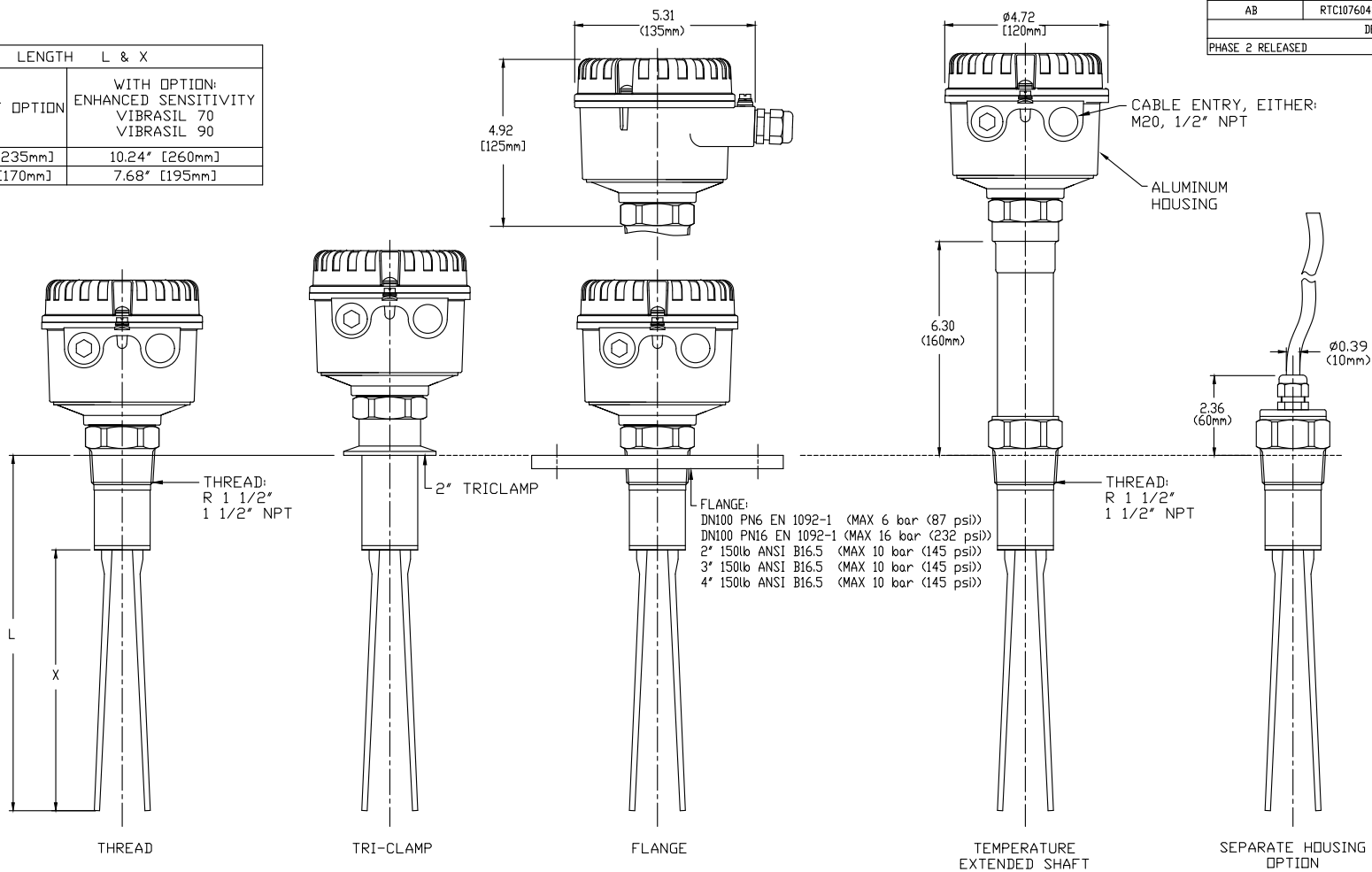


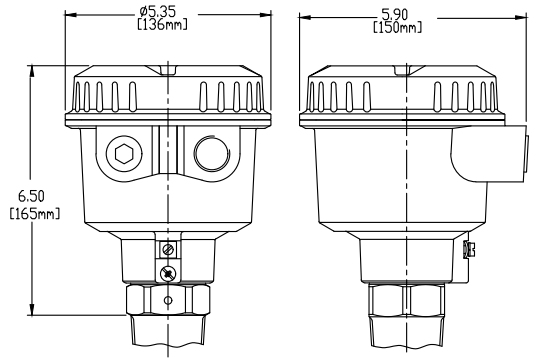
ROSEMOUNT 2521 SOLIDS LEVEL SWITCH  
VIBRATING FORK (STANDARD LENGTH, ENHANCED FORK SENSITIVITY)

REVISION TABLE			
REVISION	ECD NO.	APP'D	DATE
AB	RTC1076043	D. ISAKSSON	9/28/2020
DESCRIPTION			
PHASE 2 RELEASED			

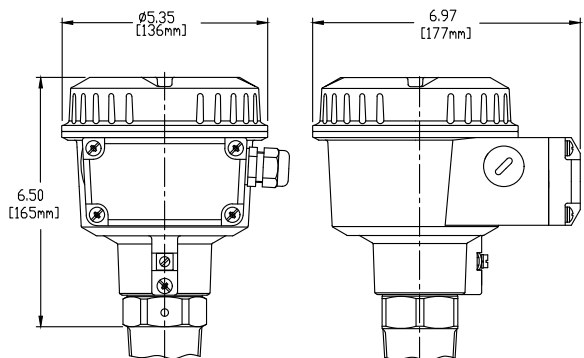
LENGTH L & X		
	WITHOUT OPTION	WITH OPTION: ENHANCED SENSITIVITY VIBRASIL 70 VIBRASIL 90
L	9.25" [235mm]	10.24" [260mm]
X	6.69" [170mm]	7.68" [195mm]



FLAMEPROOF HOUSING



FLAMEPROOF INCREASED SAFETY HOUSING



72015 ROSEMOUNT INC. ROSEMOUNT INC. CERTIFIES THE ACCURACY OF THE DIMENSIONS SHOWN IN THIS DRAWING. DIMENSIONS ARE IN INCHES UNLESS OTHERWISE SPECIFIED. ROSEMOUNT ENGINEERING SPECIFICATIONS. UNIT NOTES IN INCHES (mm). REFERENCE ROSEMOUNT PRODUCT DATA SHEETS FOR PRODUCT SPECIFICATIONS. CLICK HERE	3RD ANGLE	SIZE A2	SCALE 1:2.5
	<b>EMERSON</b>		
	TITLE DRG, TYPE 1, SOLID LEVEL SWITCH		
	DR. PC-IM 7/30/2020 DRAWING NO. 02521-1005 APP'D. CT 7/30/2020	SHEET 1 OF 1	