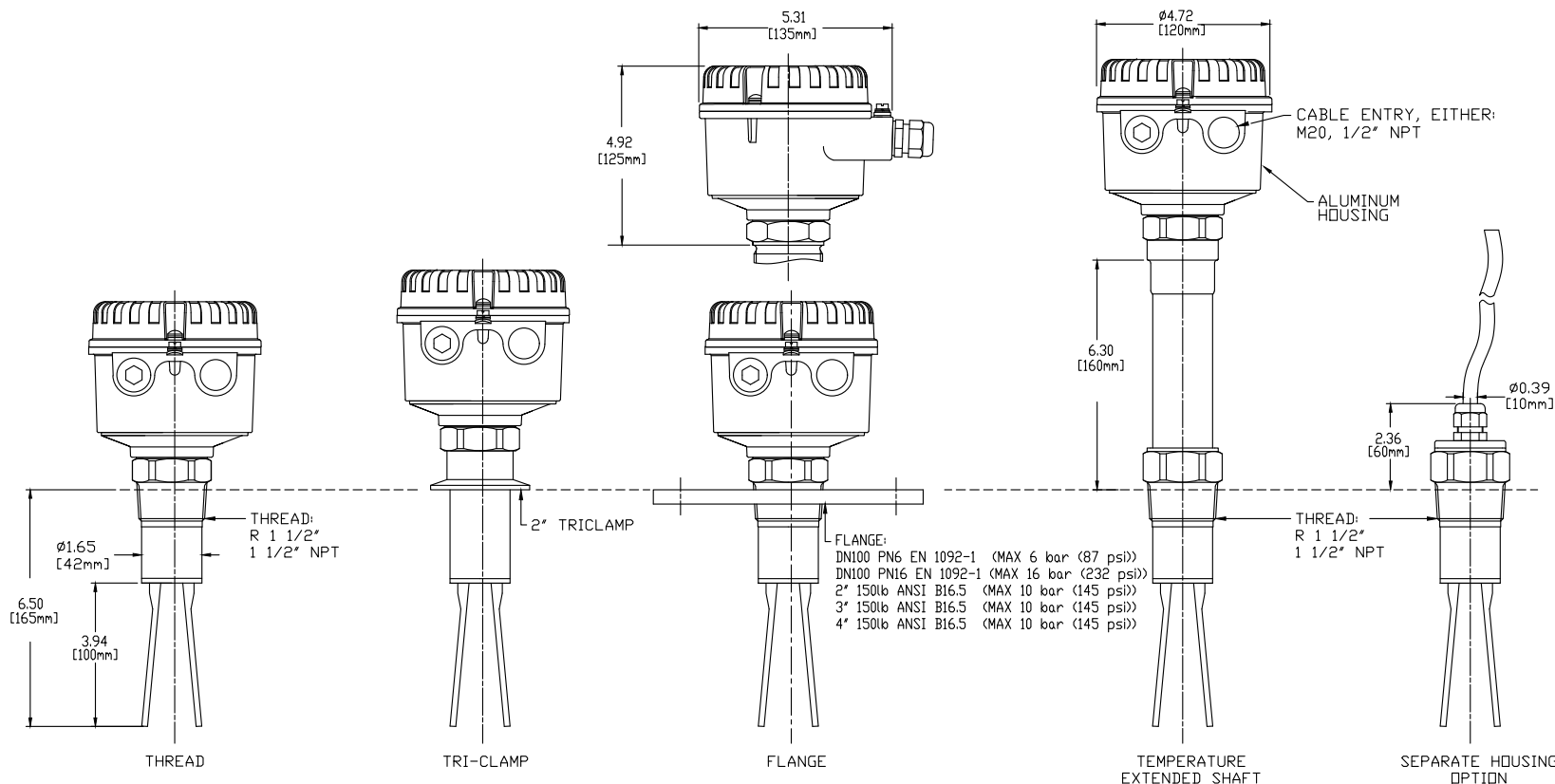


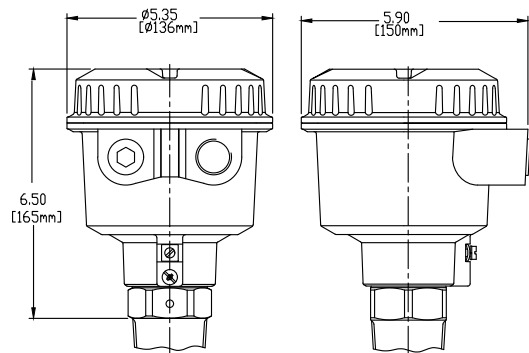
ROSEMOUNT 2521 SOLIDS LEVEL SWITCH
VIBRATING FORK (STANDARD LENGTH)

REVISION TABLE

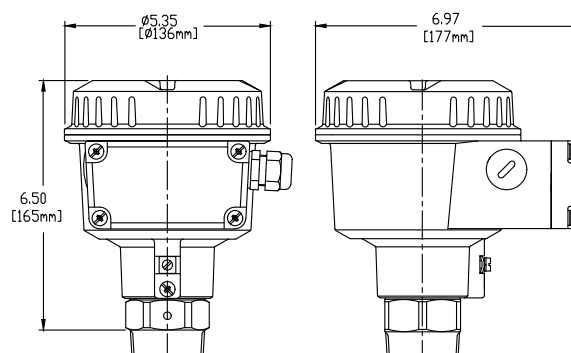
REVISION	ECD NO.	APP'D	DATE
AB	RTC1076043	D. ISAKSSON	9/28/2020
DESCRIPTION			
PHASE 2 RELEASED			



FLAMEPROOF HOUSING



FLAMEPROOF INCREASED SAFETY HOUSING



©2015 ROSEMOUNT INC.
ROSEMOUNT INC. CERTIFIES
THESE DRAWINGS ARE IN
CONFORMANCE WITH THE
ROSEMOUNT ENGINEERING
SPECIFICATIONS.
UNIT NOTES IN INCHES (mm).

REFERENCE ROSEMOUNT
PRODUCT DATA SHEETS FOR
PRODUCT SPECIFICATIONS.
CLICK HERE

3RD ANGLE

SIZE A2

SCALE 1:2.5

EMERSON

TITLE DRG, TYPE 1, SOLID LEVEL SWITCH

DR. PC-IM 7/30/2020 DRAWING NO. 02521-1002

APP'D. CT 7/30/2020

CAD MAINTAINED

SHEET 1 OF 1