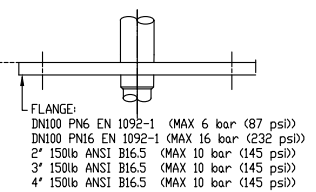
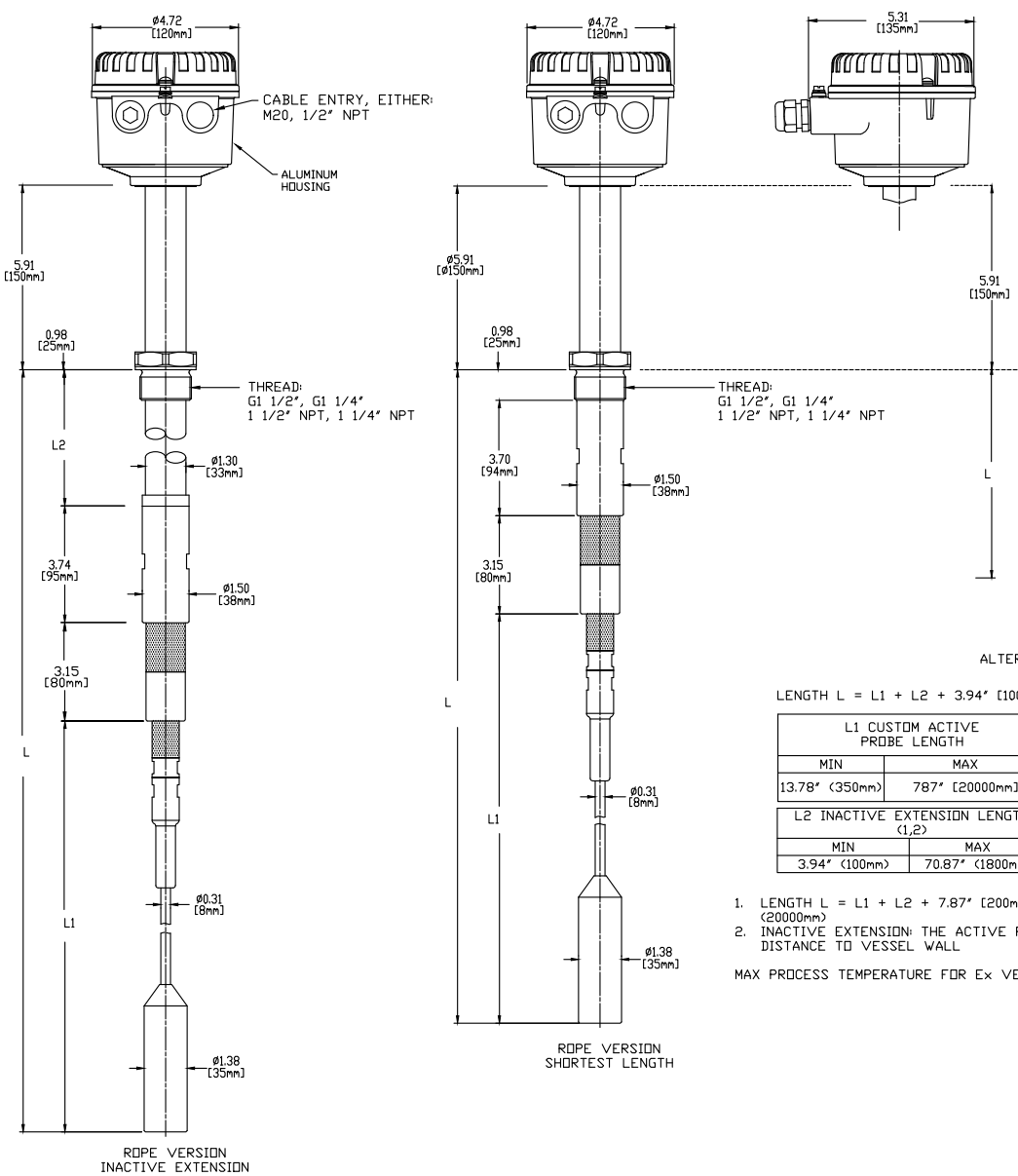


ROSEMOUNT 2555 SOLIDS LEVEL SWITCH  
CAPACITANCE PROBE (THERMAL PROFILE P)

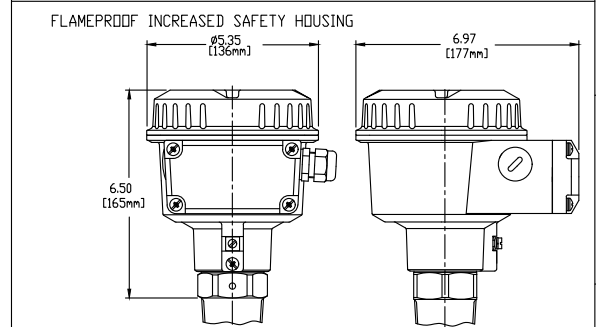
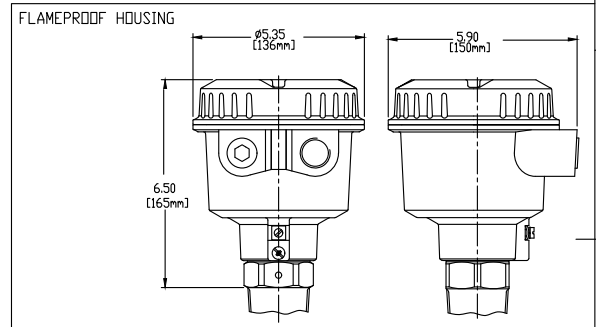
REVISION TABLE			
REVISION	ECO NO.	APP'D	DATE
AB	RTC1076043	D. ISAKSSON	9/28/2020
DESCRIPTION			
PHASE 2 RELEASED			



ALTERNATIVE PROCESS CONNECTION  
 LENGTH L = L1 + L2 + 3.94" [100mm]

L1 CUSTOM ACTIVE PROBE LENGTH	
MIN	MAX
13.78' (350mm)	787' [20000mm]
L2 INACTIVE EXTENSION LENGTH (1,2)	
MIN	MAX
3.94' (100mm)	70.87' (1800mm)

1. LENGTH L = L1 + L2 + 7.87' [200mm] NOTE MIN L LENGTH 21.65' (550mm) MAX 787.40' (20000mm)
  2. INACTIVE EXTENSION: THE ACTIVE PROBE SHALL HAVE AT LEAST 1.97' [50mm] DISTANCE TO VESSEL WALL
- MAX PROCESS TEMPERATURE FOR Ex VERSIONS LIMITED TO 883°F (445°C)



72015 ROSEMOUNT INC. ROSEMOUNT INC. CERTIFIES THE DRAWING IS IN ACCORDANCE WITH THE ROSEMOUNT ENGINEERING SPECIFICATIONS. UNIT NOTES IN INCHES (mm). REFERENCE ROSEMOUNT PRODUCT DATA SHEETS FOR PRODUCT SPECIFICATIONS. CLICK HERE	3RD ANGLE		SIZE A2	SCALE 1:3
	TITLE DRG, TYPE 1, SOLID LEVEL SWITCH ROPE, HEAVY DUTY VERSION			
	DR. PC-IM APP'D. CT CAD MAINTAINED	7/30/2020 7/30/2020	DRAWING NO. 02555-1005	SHEET 1 OF 1