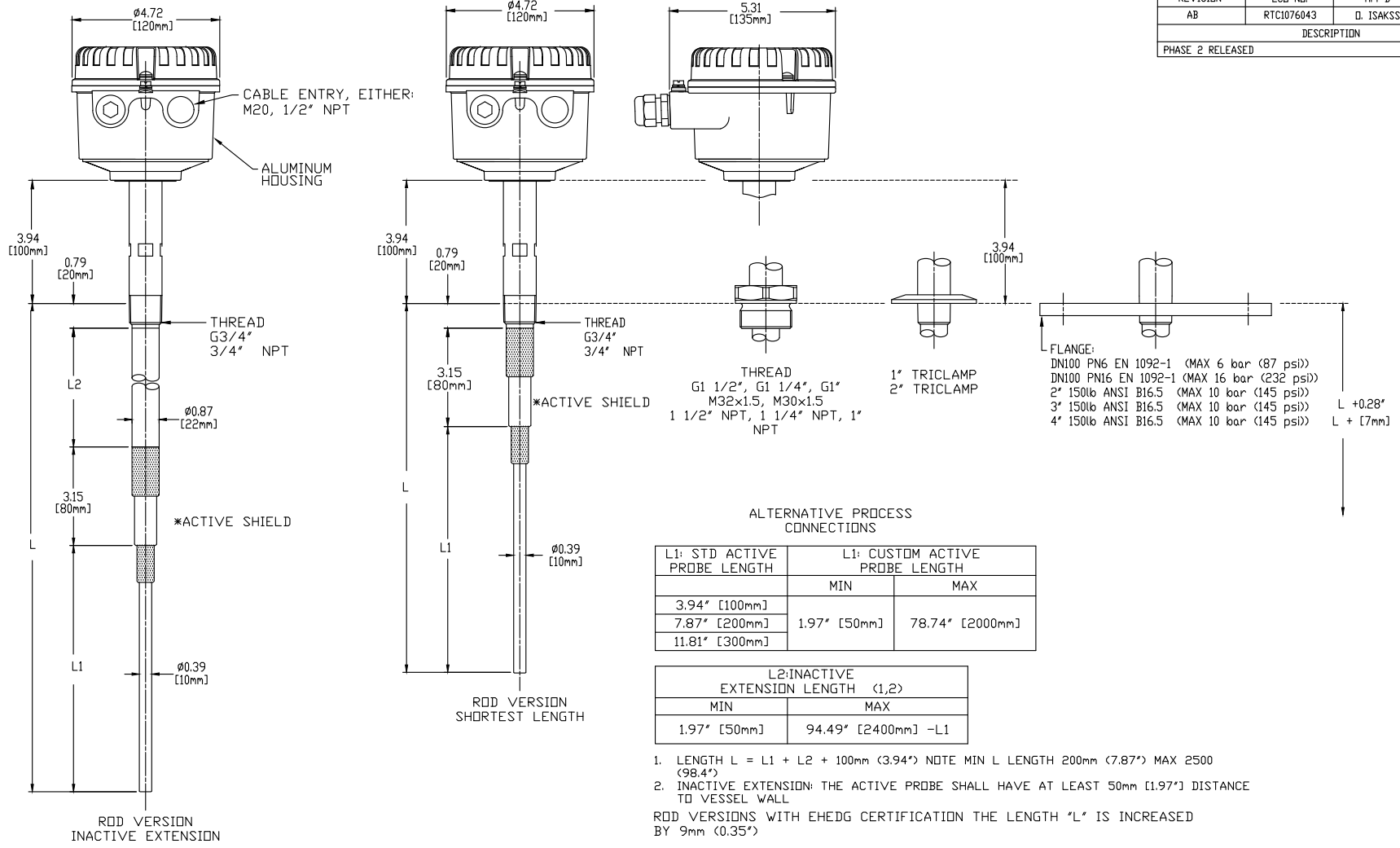


ROSEMOUNT 2555 SOLIDS LEVEL SWITCH
CAPACITANCE PROBE (THERMAL PROFILE S)

REVISION TABLE			
REVISION	ECO NO.	APP'D	DATE
AB	RTCI076043	D. ISAKSSON	9/28/2020
DESCRIPTION			
PHASE 2 RELEASED			



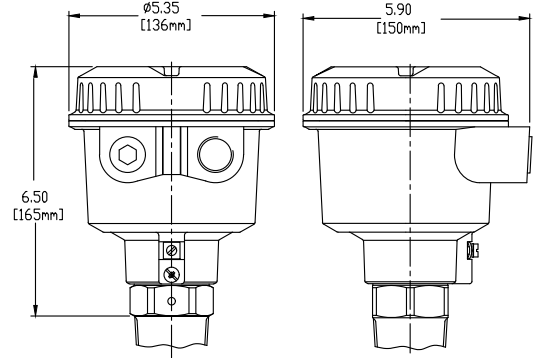
ALTERNATIVE PROCESS CONNECTIONS

L1: STD ACTIVE PROBE LENGTH	L1: CUSTOM ACTIVE PROBE LENGTH	
	MIN	MAX
3.94" [100mm]		
7.87" [200mm]	1.97" [50mm]	78.74" [2000mm]
11.81" [300mm]		

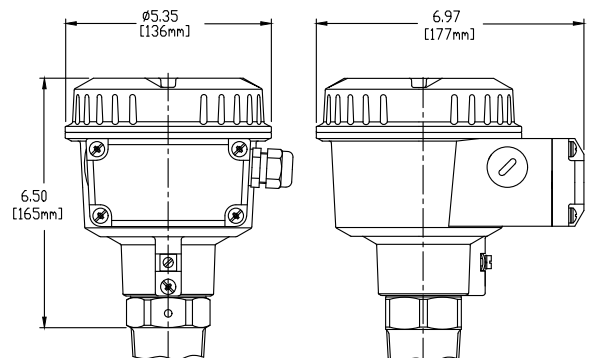
L2: INACTIVE EXTENSION LENGTH (1,2)	
MIN	MAX
1.97" [50mm]	94.49" [2400mm] -L1

- LENGTH L = L1 + L2 + 100mm (3.94") NOTE MIN L LENGTH 200mm (7.87") MAX 2500 (98.4")
 - INACTIVE EXTENSION: THE ACTIVE PROBE SHALL HAVE AT LEAST 50mm (1.97") DISTANCE TO VESSEL WALL
- ROD VERSIONS WITH EHEDG CERTIFICATION THE LENGTH 'L' IS INCREASED BY 9mm (0.35")

FLAMEPROOF HOUSING



FLAMEPROOF INCREASED SAFETY HOUSING



©2015 ROSEMOUNT INC.
ROSEMOUNT INC. CERTIFIES
THESE DRAWINGS ARE IN
CONFORMANCE WITH THE
ROSEMOUNT ENGINEERING
SPECIFICATIONS.
UNIT NOTES IN INCHES (mm).
REFERENCE ROSEMOUNT
PRODUCT DATA SHEETS FOR
PRODUCT SPECIFICATIONS.
CLICK HERE

3RD ANGLE		SIZE A2	SCALE 1:2.5
EMERSON			
TITLE DRG, TYPE 1, SOLID LEVEL SWITCH			
ROD STANDARD VERSION			
DR.	PC-IM	7/30/2020	DRAWING NO.
APP'D	CT	7/30/2020	02555-1002
CAD MAINTAINED			SHEET 1 OF 1