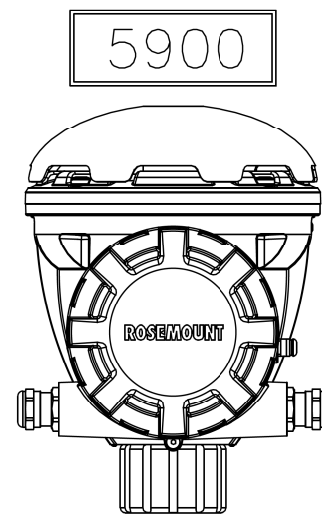
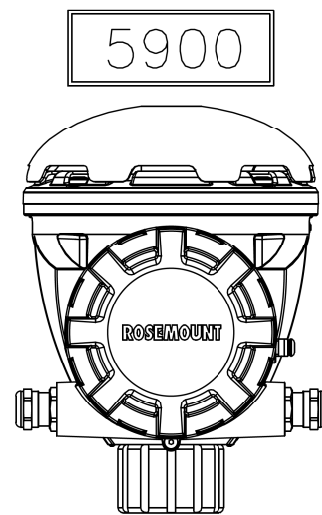


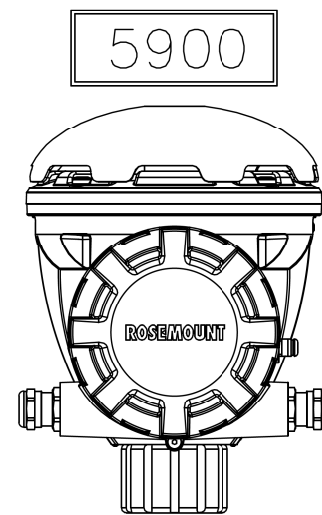
2410



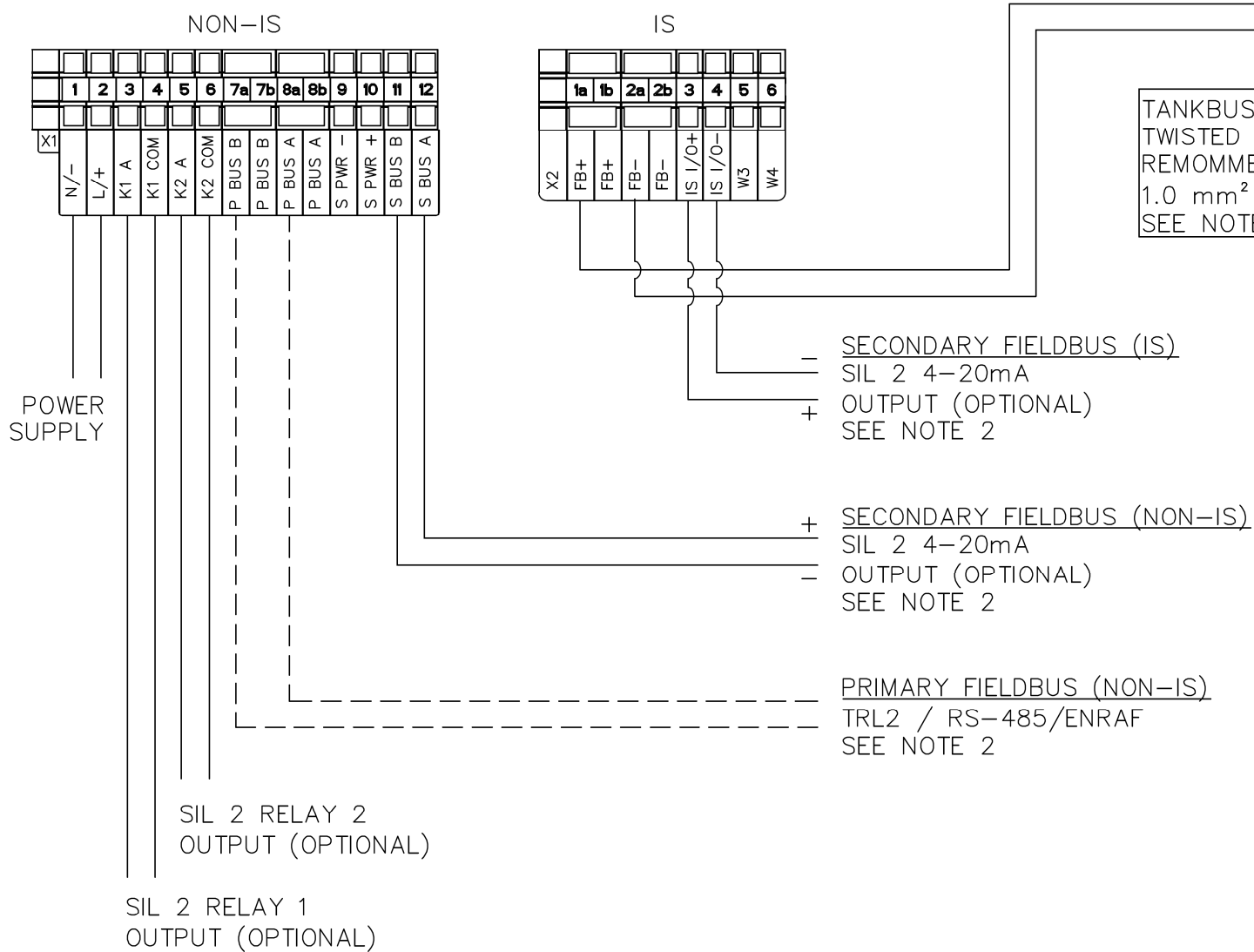
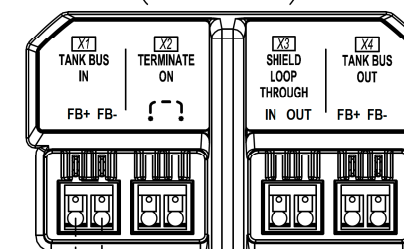
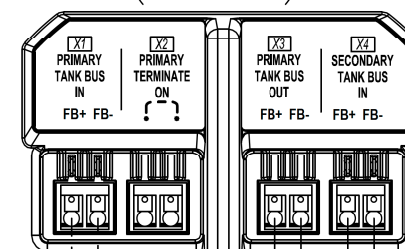
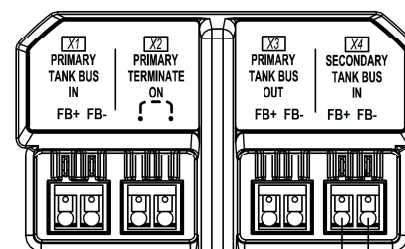
2-IN-1 DUAL BUS



2-IN-1 SINGLE BUS (OPTIONAL)



SINGLE RADAR (OPTIONAL)



TANKBUS CABLE:  
TWISTED SHIELDED PAIRS  
RECOMMENDED CABLE:  
1.0 mm<sup>2</sup> OR AWG 18  
SEE NOTE 4

- FOR MORE INFORMATION SEE ELECTRICAL INSTALLATION DRAWINGS:
  - \* D9240041-950 (EL. INST. DWG. 5900 SERIES SINGLE RADAR)
  - \* D9240041-951 (EL. INST. DWG. 5900 SERIES 2-IN-1 SINGLE BUS)
  - \* D9240041-952 (EL. INST. DWG. 2410 HUB)
  - \* D9240041-969 (EL. INST. DWG. 5900S 2-IN-1 DUAL BUS)
  - \* D7000002-526 (EL. INST. DWG. WHESSOE / GPE)
  - \* D7000002-527 (EL. INST. DWG. VAREC / L&J)
  - \* D7000002-528 (EL. INST. DWG. ENRAF)
- OPTIONS ACCORDING TO 2410 MODEL CODE.
- CONNECTION DIAGRAM FOR 5900 AND 2410 WITH MODEL CODE 5900x-xSxxxxxxx- AND 2410-xxxxSxxxxxxxx- (SIL 2 CERTIFIED).
- ALTERNATIVE SYSTEM CONFIGURATIONS AVAILABLE INCLUDING DIFFERENT VERSIONS OF 5900, 2230, 2240S ETC, SEE:
  - \* D9240041-947 (EL. INST. DWG. SINGLE TANK SYSTEM 2-IN-1)
  - \* D9240041-959 (EL. INST. DWG. SINGLE TANK SYSTEM)
  - \* D9240041-960 (EL. INST. DWG. SINGLE TANK REDUNDANT SYSTEM)
  - \* D9240041-997 (EL. INST. DWG. SINGLE TANK WITH WIRELESS 775 ASSY)

ISSUED BY EMe-ME-C	WEEK 1606	PRODUCT CODE 5900	FILE ACAD	INSTALLATION DRAWING TITLE ELECTRICAL INSTALLATION DRAWING SIL 2 4-20mA/RELAYS SYSTEM
APPROVED BY TT-CS	WEEK 1606	ORIGINAL DWG NO. -	SCALE -	DOC TYPE 02
<b>ROSEMOUNT</b> Tank Gauging		1 ST ANGLE	DOC NO. D7000003-320	ISSUE 01
			DWG NO.	SHEET 01/01

THE COPYRIGHT/OWNERSHIP OF THIS DOCUMENT IS AND WILL REMAIN OURS. THE DOCUMENT MUST NOT BE USED WITHOUT OUR AUTHORIZATION OR BROUGHT TO THE KNOWLEDGE OF A THIRD PARTY. CONTRAVENTION WILL BE PROSECUTED. ROSEMOUNT TANK RADAR AB, SWEDEN.