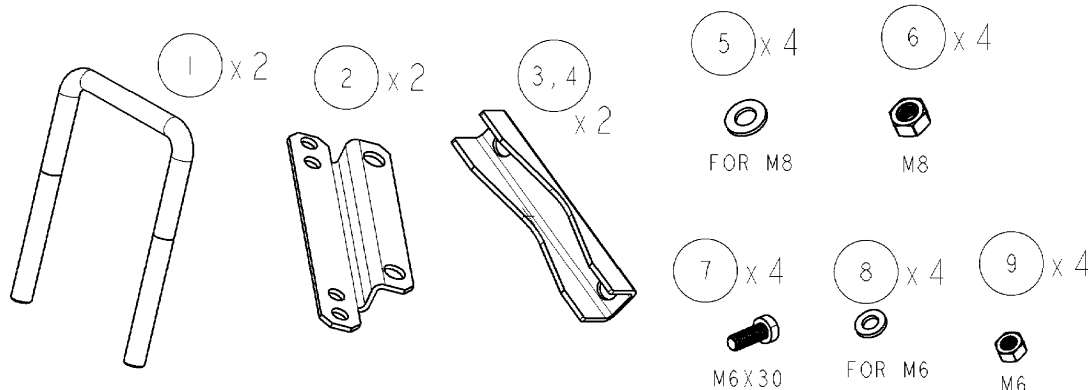
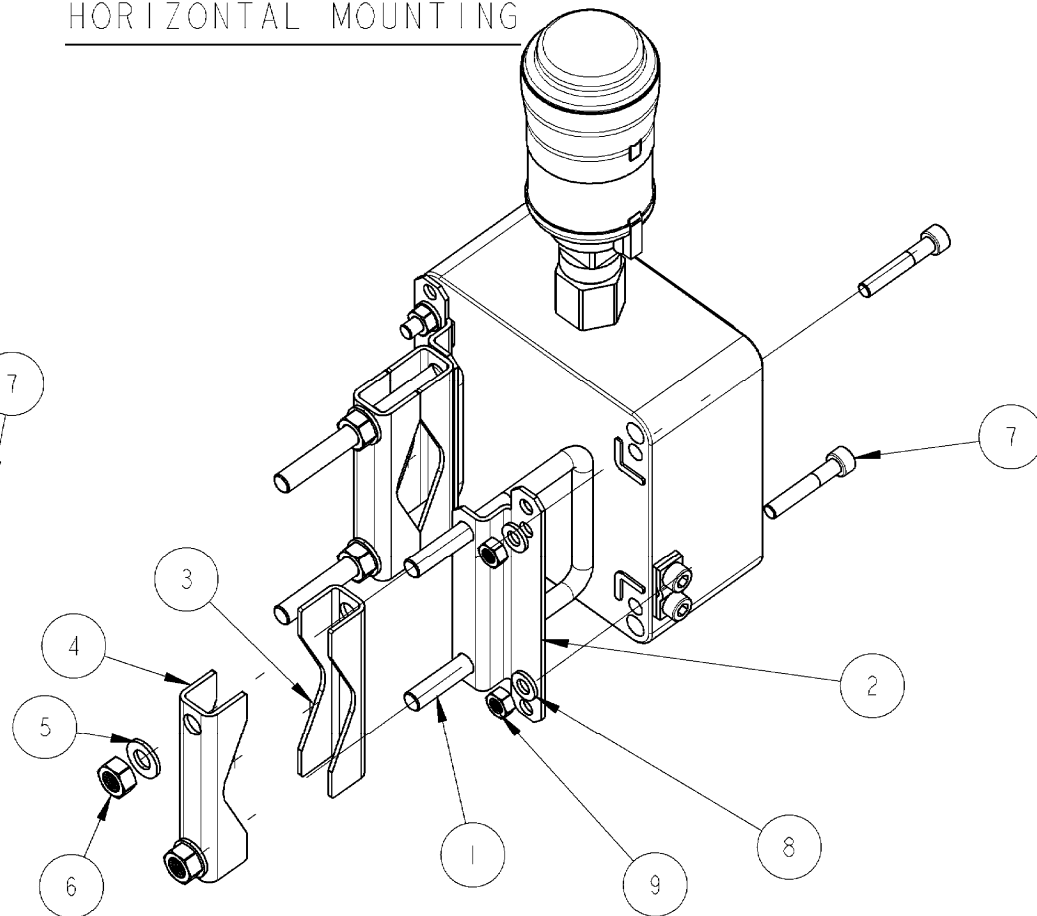
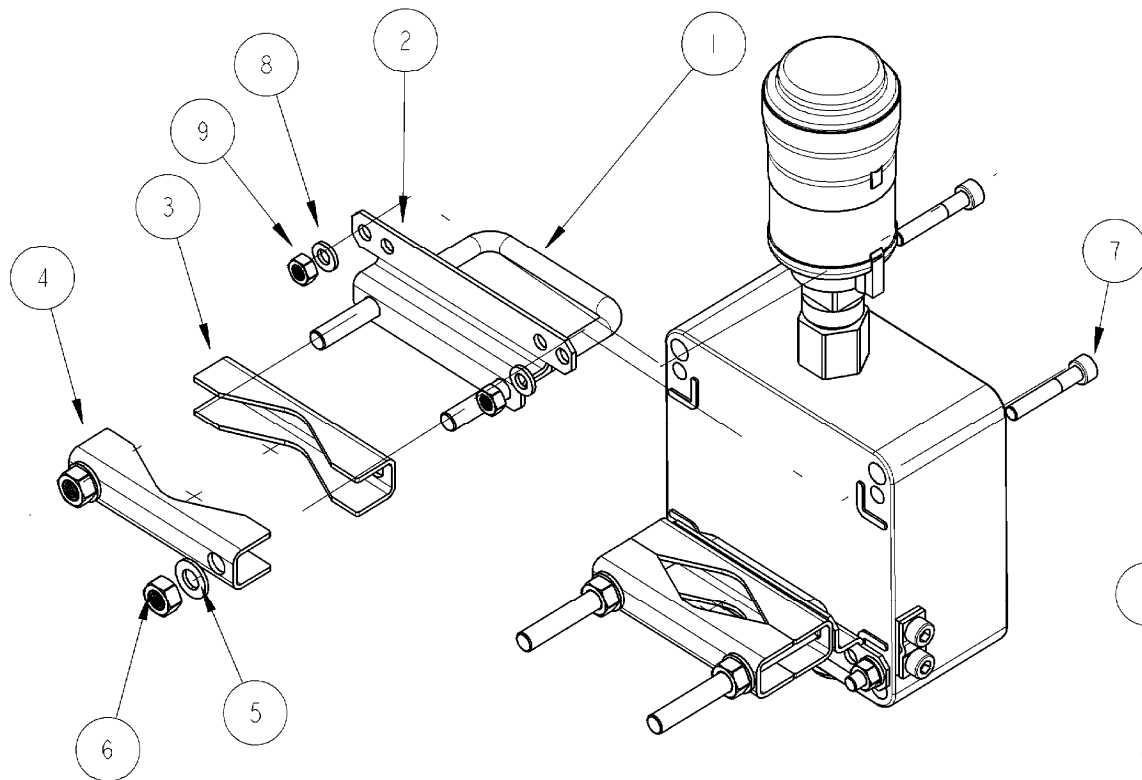


ISSUE	MODIF. ORDER NO.	WEEK	ISSUE	MODIF. ORDER NO.	WEEK	ISSUE	MODIF. ORDER NO.	WEEK
1	SME-6209	09012						

VERTICAL MOUNTING

HORIZONTAL MOUNTING



9150070-983	ISSUED BY EMe-PB	WEEK 0913	PRODUCT CODE PRO/REX	MATERIAL
	APPROVED BY TT-MI	WEEK 0915	DOC TYPE 2	FILE PRO/E
	ALL DIMENSIONS ARE IN MILLIMETERS TOLERANCES, UNLESS OTHERWISE STATED: FOR MACHINING: ISO 2768 mK FOR CASTING: ISO 8062 CT 5 FOR WELDING: SS-EN ISO 13920 A, E		FINISH, UNLESS OTHERWISE STATED: 3.2 ✓	TITLE MOUNTING INSTRUCTION
	ROSEMOUNT®		1 ST ANGLE SCALE 1:5	DWG NO 9150070-983
			ISSUE 01	SHEET 1/1
THE COPYRIGHT/OWNERSHIP OF THIS DOCUMENT IS AND WILL REMAIN OURS. THE DOCUMENT MUST NOT BE USED WITHOUT OUR AUTHORIZATION OR BROUGHT TO THE KNOWLEDGE OF A THIRD PARTY. CONTRAVENTION WILL BE PROSECUTED. ROSEMOUNT TANK RADAR AB, SWEDEN.				