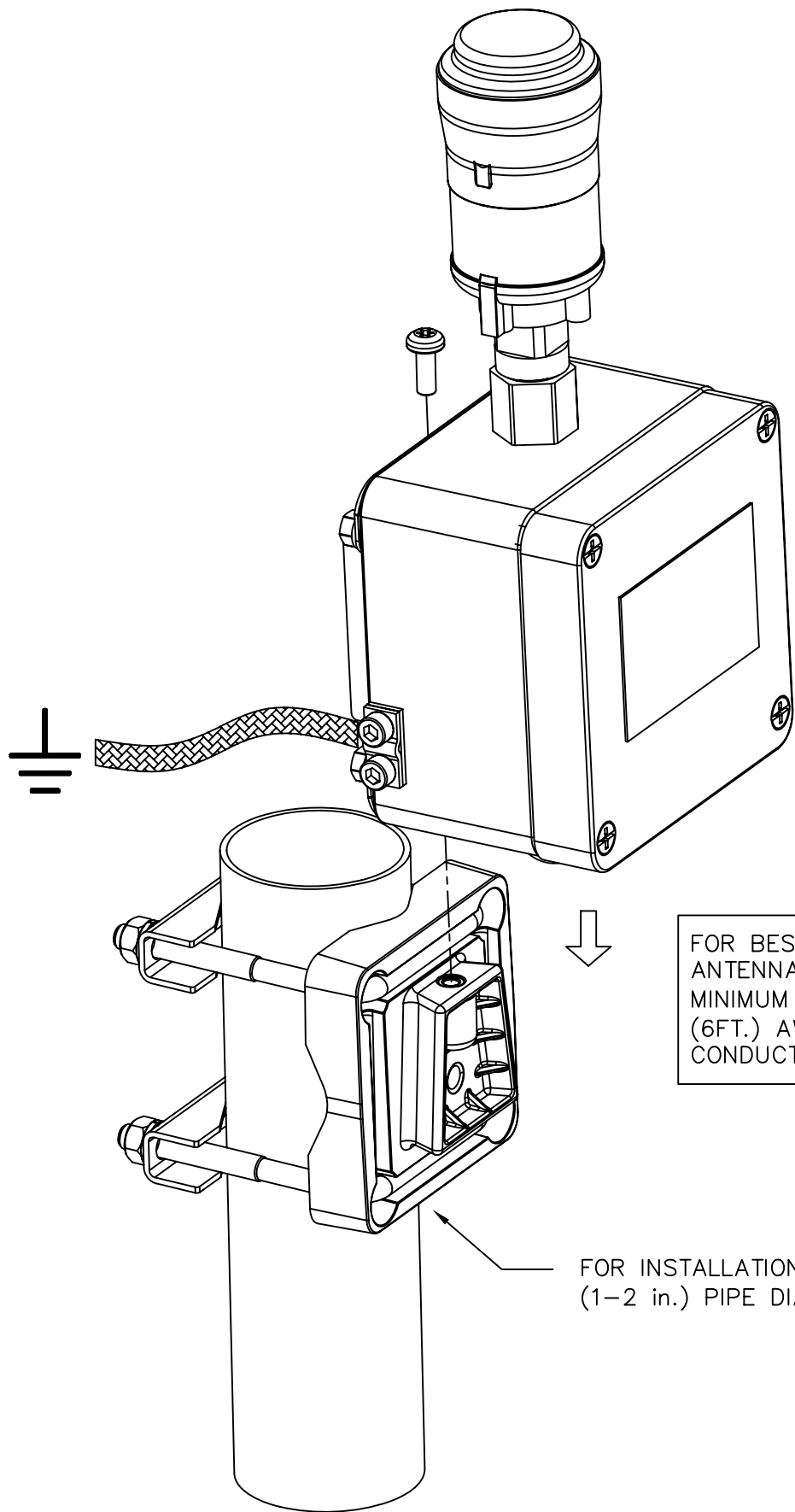
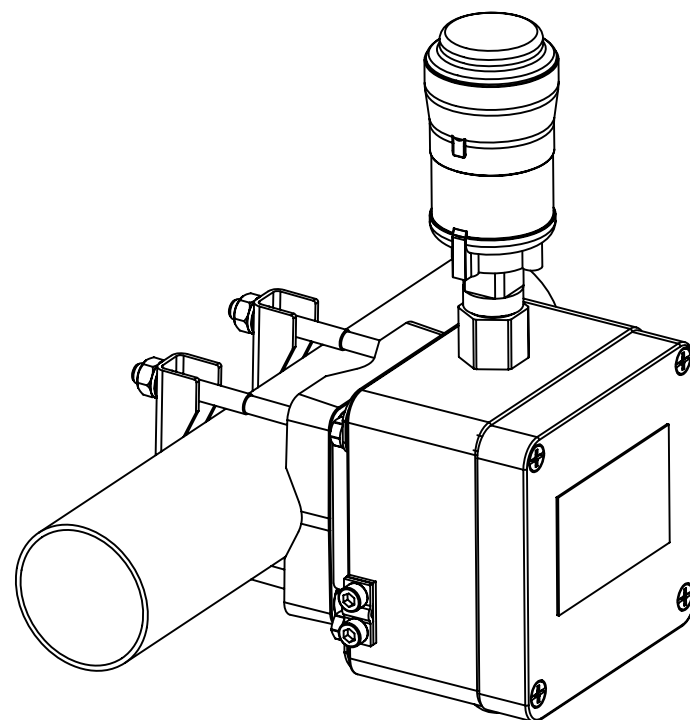


WIRELESS 775 ASSY FOR CONNECTION TO:  
REX, PRO AND 2410 TANK HUB.

MOUNTING ON VERTICAL PIPE



MOUNTING ON HORIZONTAL PIPE



FOR BEST WIRELESS RANGE PERFORMANCE THE ANTENNA SHALL BE INSTALLED VERTICALLY AND AT MINIMUM 2M (6FT.) ABOVE THE TANK ROOF AND 2M (6FT.) AWAY FROM ANY LARGE STRUCTURE OR CONDUCTIVE SURFACE.

FOR INSTALLATION ON 33,4–60,3 mm (1–2 in.) PIPE DIAMETER

THUM ADAPTER (ANTENNA)

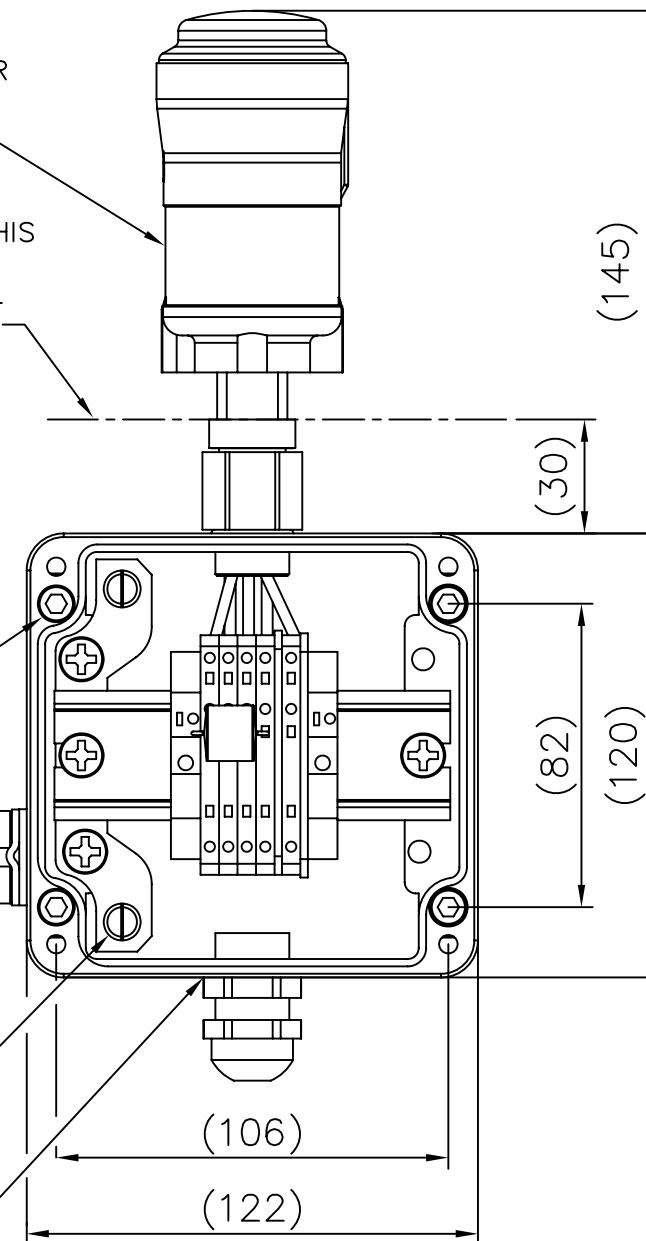
NOTHING ABOVE THIS AREA WHICH CAN BLOCK THE SIGNAL TO THE ANTENNA.

COUNTERSUNK HOLE  $\phi 7$  MM FOR M6 SCREW

EXTERNAL GROUND CONNECTION FOR 4–16 mm<sup>2</sup> CABLE (AWG 11–5)

GROUND CONNECTION INSIDE.

M20 FEMALE THREAD FOR OPTIONAL CABEL GLAND 7–13 mm OR 1/2" NPT ADAPTER



ISSUED BY EMe-PB	WEEK 0841	PRODUCT CODE 2410	FILE ACAD	INSTALLATION DRAWING TITLE MECHANICAL INSTALLATION DRAWING WIRELESS 775 ASSY		
APPROVED BY EMe-MH	WEEK 0912	ORIGINAL DWG NO. -	SCALE -	DOC TYPE 02	DWG NO. 9150070-981	ISSUE SHEET 03 01/01
<b>ROSEMOUNT</b> Tank Gauging			1 ST ANGLE 	THE COPYRIGHT/OWNERSHIP OF THIS DOCUMENT IS AND WILL REMAIN OURS. THE DOCUMENT MUST NOT BE USED WITHOUT OUR AUTHORIZATION OR BROUGHT TO THE KNOWLEDGE OF A THIRD PARTY. CONTRAVENTION WILL BE PROSECUTED. ROSEMOUNT TANK RADAR AB, SWEDEN.		