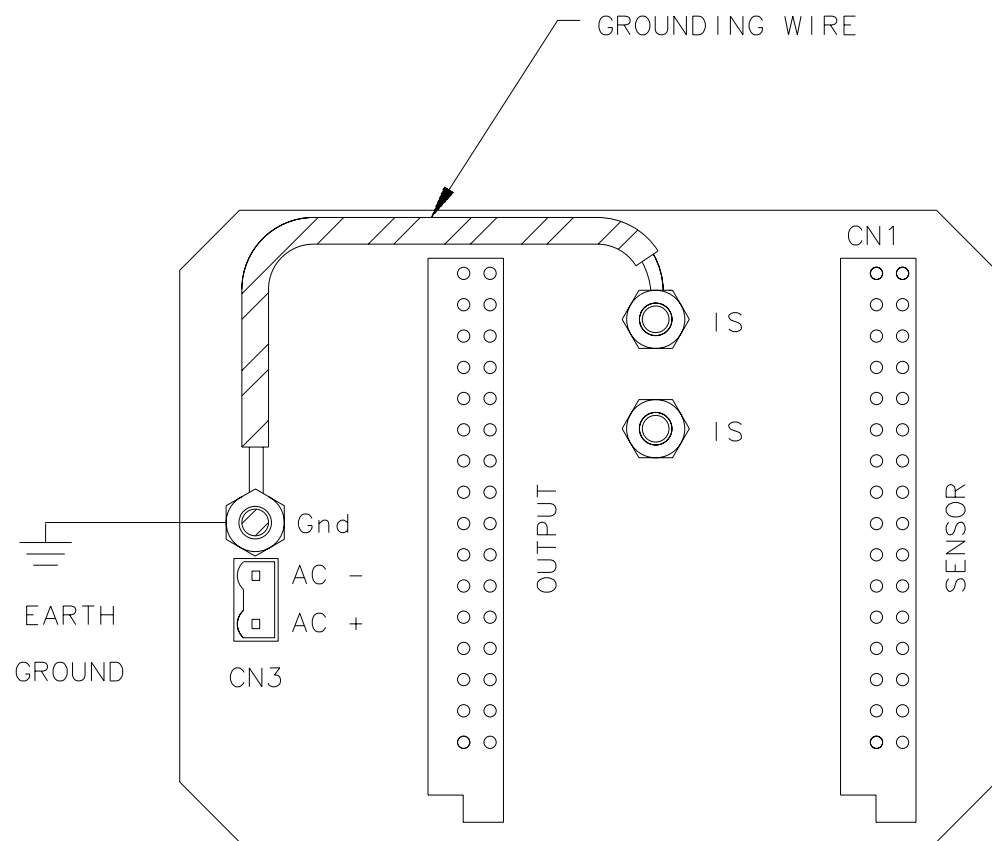

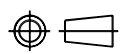


GENERAL NOTES (UNLESS OTHERWISE SPECIFIED)

1. IF NATIONAL STANDARDS ARE NOT IN EFFECT, ADHERE TO THIS STANDARD:
  - USE COPPER WIRE, 14 AWG (2.5 mm<sup>2</sup>) OR LARGER WIRE SIZE, FOR GROUNDING.
  - KEEP ALL GROUND LEADS AS SHORT AS POSSIBLE, < 1 OHM IMPEDANCE.
  - CONNECT POWER-SUPPLY GROUND DIRECTLY TO EARTH.
  - CONNECT INTRINSICALLY SAFE GROUND DIRECTLY TO EQUIPMENT GROUND.
2. FOLLOW PLANT STANDARDS, IN LIEU OF THIS STANDARD, IF A SEPARATE HIGH INTEGRITY INTRINSICALLY SAFE GROUND SCHEME IS USED.



		 <b>MICRO MOTION, INC.</b> BOULDER, COLORADO	
 THIRD ANGLE PROJECTION		WIRE, RFT9739R G CSA/GP	
	NAME	DATE	
DRAWN	SAD	7/11/96	SIZE
CHKD.	JLA	7/11/96	DWG. NO.
APVD.	JLA	7/11/96	EW-3002534
		SCALE 1 : 1	DO NOT SCALE DRAWING
		SHEET 1	OF 1

COPYRIGHT 2001 MICRO MOTION, INC.  
ALL RIGHTS RESERVED