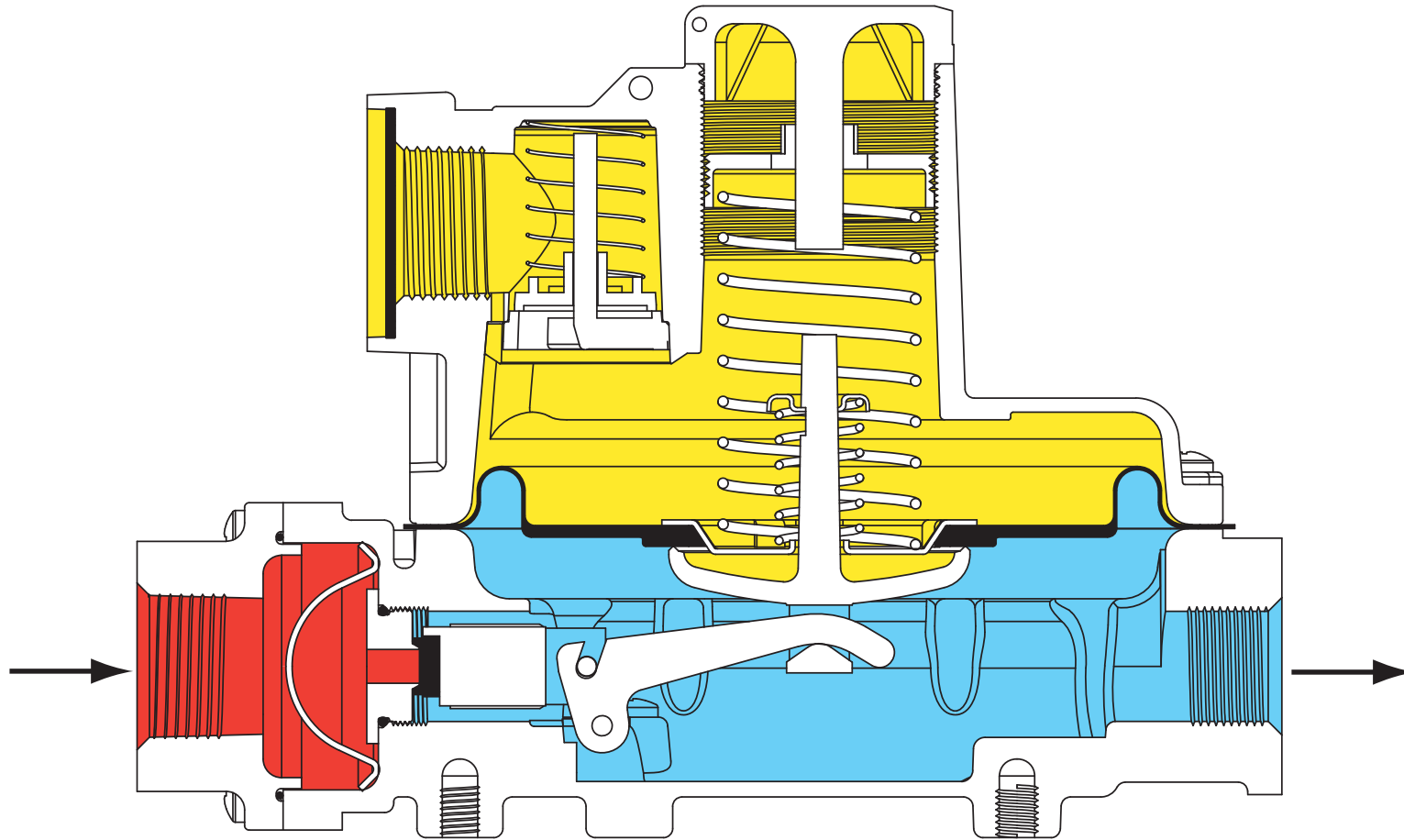


Type R622E 2 PSI Service Regulator



INLET PRESSURE
OUTLET PRESSURE
ATMOSPHERIC PRESSURE