

MODEL 2700 WITH CONFIG I/O IN HAZARDOUS LOCATION

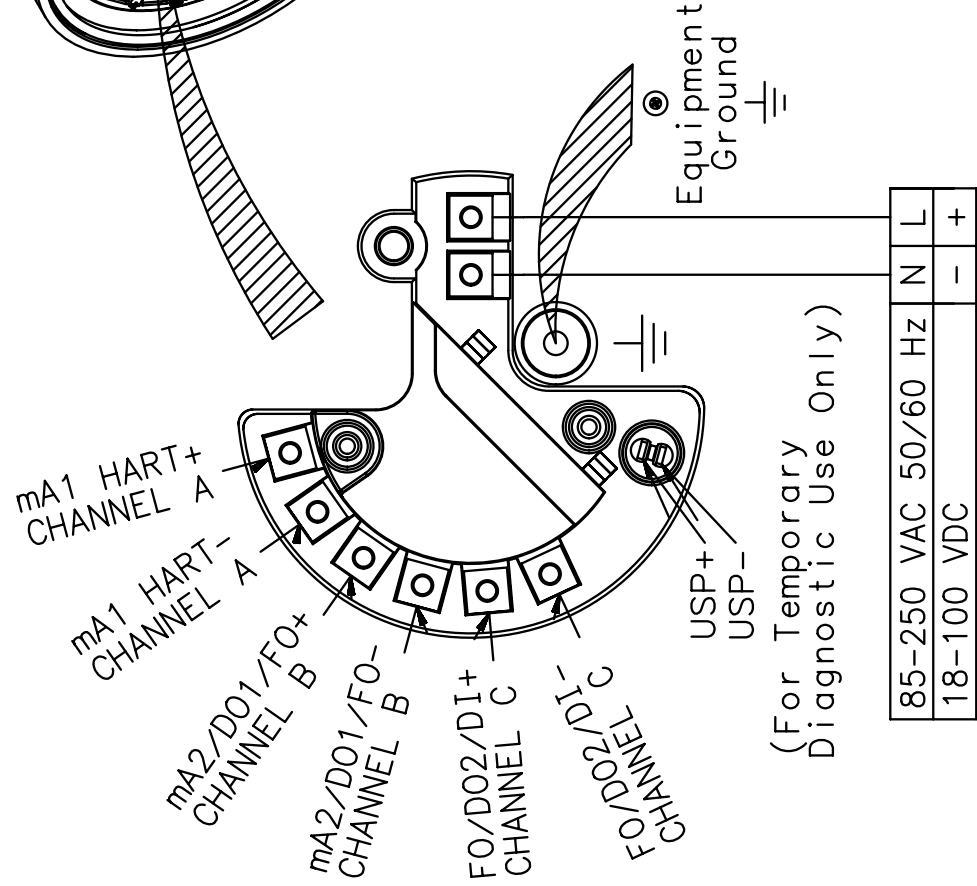
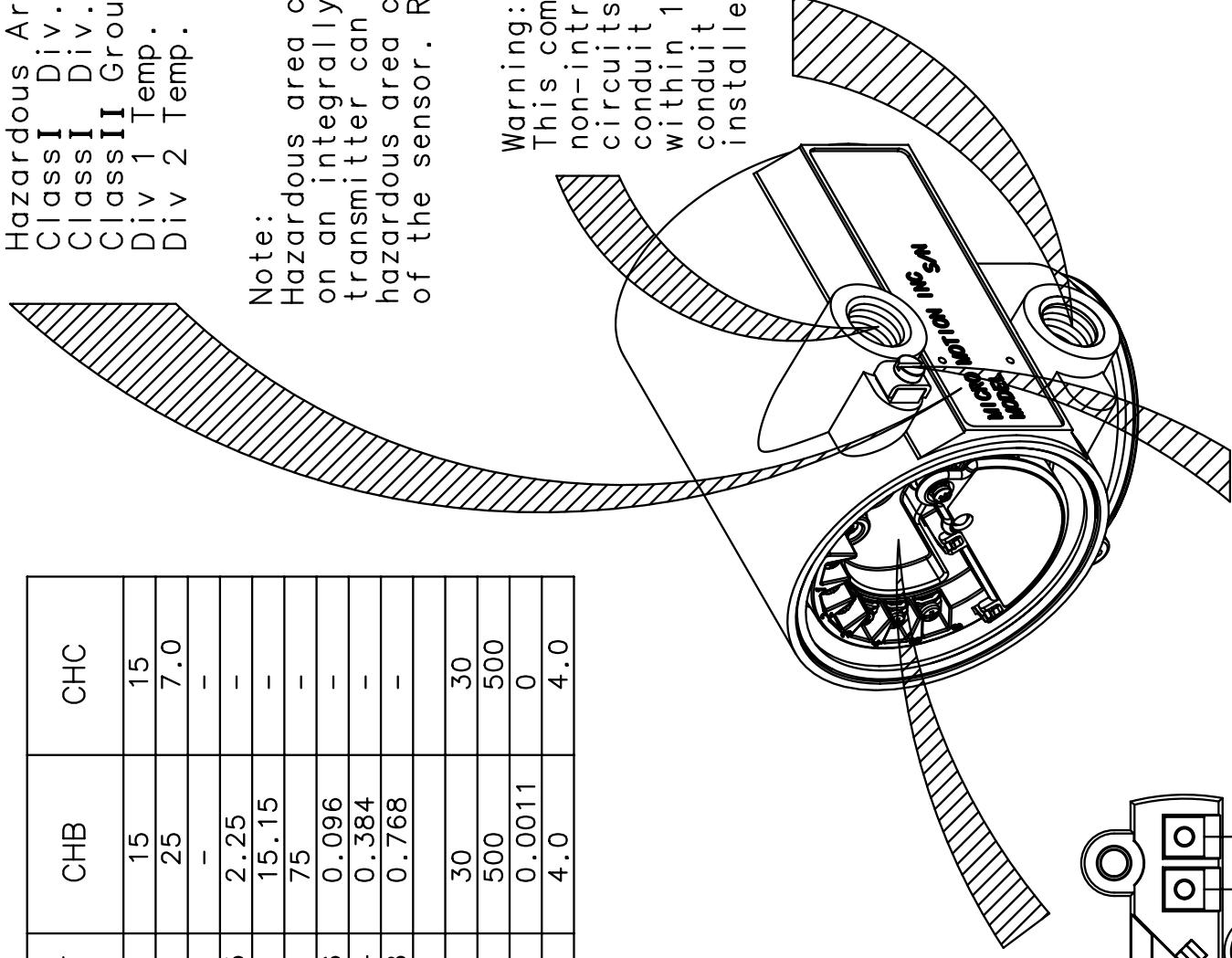
(WARNING: SUBSTITUTIONS OF COMPONENTS MAY IMPAIR INTRINSIC SAFETY)

DIV 2 NON-INCENDIVE PARAMETERS	mA HART	CHB	CHC
Voc (Vdc)	24	15	15
Isc (mA)	25	25	7.0
Po (W)	-	-	-
Ca (µF)	0.345	2.25	-
	2.06	15.15	-
	8.25	75	-
La (H)	0.096	0.096	-
	0.384	0.384	-
	0.768	0.768	-
Vmax (Vdc)	-	30	30
Imax (mA)	-	500	500
Ci (µF)	-	0.0011	0
Li (µH)	-	4.0	4.0

Hazardous Area
Class **I** Div. 1 Groups C,D
Class **II** Div. 2 Groups A,B,C,D
Class **III** Groups E,F,G
Div 1 Temp. Code T4A
Div 2 Temp. Code T5

Note:
Hazardous area classification on an integrally mounted 1700/2700 transmitter can be limited by hazardous area classification of the sensor. Refer to sensor tag.

Warning:
This compartment contains non-intrinsically safe circuits. Use of conduit seals are required within 18 inches of the conduit openings when installed in Division 1.



This unit is provided with an external terminal for supplementary bonding connection. This terminal is for use where local codes or authorities permit or require such connection.