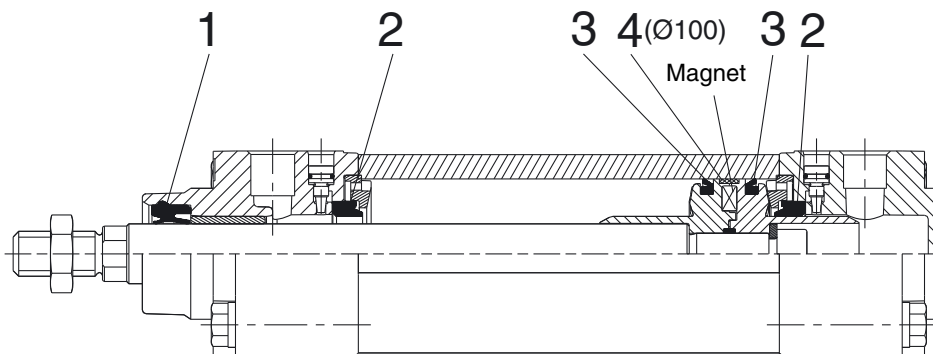


The spare parts kits apply to PES cylinder series 450 with tie-rods and PES cylinder series 453 with profiled barrel.



**B**

Ø	cylinder type	code (seals: 1 to 4)
32	Equipped for detector	97802343
40	Equipped for detector	97802344
50	Equipped for detector	97802345
63	Equipped for detector	97802346
80	Equipped for detector	97802347
100	Equipped for detector	97802259

NOTE: For best results, use grease supplied in each kit.  
Supplementary tube (11cm<sup>3</sup>) available on request, code: **97802100**

**ROD + PISTON UNIT**

Ø	rod + piston unit
32	97802736 .... (1)
40	97802737 .... (1)
50	97802738 .... (1)
63	97802739 .... (1)
80	97802740 .... (1)
100	97802741 .... (1)

(1) Specify stroke length (in mm)

