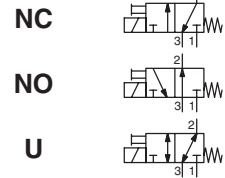




# MINI-SOLENOID VALVES

ISO 15218 (CNOMO, size 15) interface  
direct operated, pad mounting body  
connector size 15



**3/2**  
Series  
**302**

## FEATURES

- Compact, monobloc solenoid pilot valve with spade-plug connector type EN 175301-803, industry standard form C, with 9,4 mm spacing, or to EN 175301-803, form C, with 8 mm spacing
- Version with or without integrated LED and electrical protection  
LED indicator visible from 3 sides
- The solenoid valves satisfy all relevant EU directives

## GENERAL

**Differential pressure**  
**Pneumatic base**  
**Connection**  
**Response time**

See «SPECIFICATIONS» [1 bar = 100 kPa]  
ISO 15218 (CNOMO E06.36.120N, size 15)  
Subbase  
8 - 15 ms

fluids (*)	temperature range (TS)	seal materials (*)
air or inert gas filtered at 50 µm, lubricated or not	-10°C to +50°C (LP1) <sup>(1)</sup>	NBR (nitrile) FPM (fluoroelastomer)
	-25°C to +60°C (LP2) <sup>(1)</sup>	
	-25°C to +60°C / +50°C (LP3) <sup>(1)</sup>	

<sup>(1)</sup> LP1, LP2, LP3: see "electrical characteristics" table

## MATERIALS IN CONTACT WITH FLUID

(\*) Ensure that the compatibility of the fluids in contact with the materials is verified

**Body** PARA  
**Internal parts** POM, PET, stainless steel and brass  
**Seals** NBR (disc), FPM (others)  
**Pneumatic interface seal** TPE

## OTHER MATERIALS

**Coil** Thermoplastic PET

## ELECTRICAL CHARACTERISTICS

**Coil insulation class** F  
**Connector** Spade plug (cable Ø 4-6 mm)  
**Connector specification** EN 175301-803, industry standard form B (9,4 mm)  
or EN 175301-803, form C (8 mm)

**Electrical safety** IEC 335  
**Electrical enclosure protection** Moulded IP65 (EN 60529)  
**Standard voltages** DC (=): 24V  
(Other voltages on request) AC (~): 24V - 115V - 230V / 50-60 Hz

power ranges	coils		power ratings (⇄)			operator ambient temperature range <sup>(3)</sup> (TS) (°C)	type <sup>(2)</sup>
	voltages (V)		inrush	holding	hot/cold		
LP1	-	24	-	-	-	0,5 / 0,55	-10 to +50
LP2	24-115	24	1,4	1,2	1,1	1 / 1,2	-25 to +60
LP3	230	24	2,1	1,6	1,5	2 / 2,65	-25 to +60 (-)/+50 (=) <sup>(3)</sup>

<sup>(2)</sup> Refer to the dimensional drawings on the following page. <sup>(3)</sup> With LED and joinable subbase mounting, see following pages

## SPECIFICATIONS (NO and U, following page)

orifice size (mm)	flow				operating pressure differential (bar)		power ranges	basic catalogue number			
	at 6 bar l/min (ANR)		coefficient Kv		min.	max. (PS)		manual operator			
	1 → 2	2 → 3	1 → 2	2 → 3				impulse		maintained	
								9,4 mm	8 mm	9,4 mm	8 mm
	~	=						~	=	~	=
<b>NC - Normally closed (Without LED and protection)</b>											
0,6	11	20	0,11	0,26	0	8	LP1	-	30211106	-	30211107
					0	10	LP2	30211109	30210109	30211110	30210110
0,8	17	28	0,22	0,35	0	8	LP2	30211112	30210112	30211113	30210113
					0	5	LP2	30211118	30210118	30211119	30210119
					0	10	LP3	30211121	30210121	30211122	30210122
1,5	39	53	0,50	0,56	0	3	LP2	30211124	30210124	30211125	30210125
					0	6	LP3	30211127	30210127	30211128	30210128
<b>NC - Normally closed (With LED and protection) <sup>(4)</sup></b>											
0,6	11	20	0,11	0,26	0	10	LP2	30215109	30214109	30215110	30214110
0,8	17	28	0,22	0,35	0	8	LP2	30215112	30214112	30215113	30214113
					0	5	LP2	30215118	30214118	30215119	30214119
					0	10	LP3	30215121	-	30215122	-
					0	3	LP2	30215124	30214124	30215125	30214125
					0	6	LP3	30215127	-	30215128	-

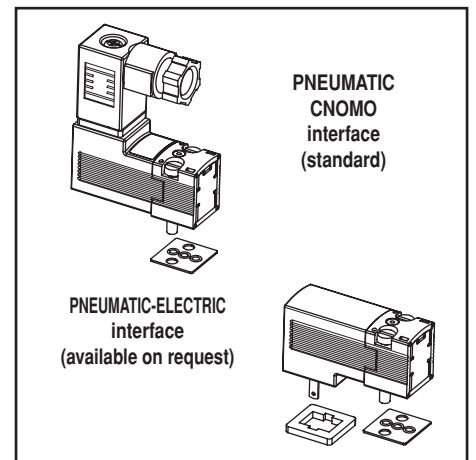
<sup>(4)</sup> Only available in 24 V AC/DC and 115 V AC.

When ordering, please specify in addition to the basic catalogue number:  
the type of current: voltage / frequency + the version: with or without connector

	~	=
with connector	--A	--D
without connector	--L	--P

to be inserted after  
the basic catalogue number

Examples: • with connector 24V DC : **30211109--D** 24V DC  
• without connector 24V DC : **30211109--P** 24V DC



00075GB-2017/R01  
Availability, design and specifications are subject to change without notice. All rights reserved.

All leaflets are available on: [www.asco.com](http://www.asco.com)

## SPECIFICATIONS: NO, U

orifice size (mm)	flow				operating pressure differential (bar)		power ranges	basic catalogue number					
	at 6 bar l/min (ANR)		coefficient Kv					manual operator		impulse			
	1 → 2	2 → 3	1 → 2	2 → 3	min.	max. (PS)		9,4 mm	8 mm	9,4 mm	8 mm		
								~	=	=	~	=	=
<b>NO - Normally open (Without LED and protection)</b>													
0,8	20	17	0,26	0,20	0	8	LP2	30211130	30210130	30211131	30210131		
					0	10	LP3	30211133	30210133	30211134	30210134		
1	28	32	0,35	0,35	0	5	LP2	30211136	30210136	30211137	30210137		
					0	8	LP3	30211139	30210139	30211140	30210140		
1,5	53	39	0,56	0,50	0	2	LP2	30211142	30210142	30211143	30210143		
					0	6	LP3	30211145	30210145	30211146	30210146		
<b>NO - Normally open (With LED and protection)<sup>(5)</sup></b>													
0,8	20	17	0,26	0,20	0	8	LP2	30215130	30214130	30215131	30214131		
					0	10	LP3	30215133	30214133	30215134	30214134		
1	28	32	0,35	0,35	0	5	LP2	30215136	30214136	30215137	30214137		
					0	8	LP3	30215139	-	30215140	-		
1,5	53	39	0,56	0,50	0	2	LP2	30215142	30214142	30215143	30214143		
					0	6	LP3	30215145	-	30215146	-		
	1 ↔ 2	2 ↔ 3	1 ↔ 2	2 ↔ 3									
<b>U - universal (Without LED and protection)</b>													
0,8	17	20	0,20	0,26	0	6	LP2	30211148	30210148	30211149	30210149		
<b>U - universal (With LED and protection)<sup>(5)</sup></b>													
0,8	17	20	0,20	0,26	0	6	LP2	30215148	30214148	30215149	30214149		

<sup>(5)</sup> Only available in 24 V AC/DC and 115 V AC.

When ordering, please specify in addition to the basic catalogue number:

the type of current: voltage / frequency + the version: with or without connector

	~	=
with connector	--A	--D
without connector	--L	--P

 to be inserted after  
the basic catalogue number

 Examples: • with connector 24V DC : **30211130--D** 24V DC  
 • without connector 24V DC : **30211130--P** 24V DC

## OPTIONS AND ACCESSORIES

- Seals and disc made of FPM (fluoroelastomer)
- Versions without manual operator and Uv (Universal vacuum): contact us
- Version with pneumatic-electric interface
- Version 12 V DC, LP2, connector EN 175301-803, industry standard form C (9,4 mm)
- [Connector EN 175301-803, form C \(8 mm\)](#):
  - standard: catalogue number **88130211**
  - with cable 2 m length: Contact us
- [Connector EN 175301-803, industry standard form C \(9,4 mm\)](#):
  - standard: catalogue number **88143581**
  - with cable 2 m length: catalogue number **88143567**
- Explosionproof enclosures for use in zones 0/20-1/21-2/22, categories 1-2-3 to ATEX-Directive 2014/34/EU (see "Explosionproof solenoids" section)

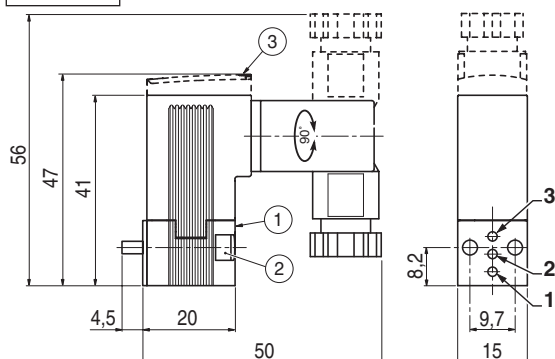
## INSTALLATION

- The solenoid valves can be mounted in any position without affecting operation
- Solenoid valve supplied with mounting screws and mounting pad seal(s)
- Installation/maintenance instructions are included with each valve

## DIMENSIONS (mm), WEIGHT (kg)



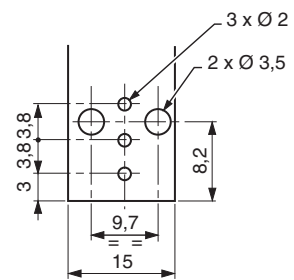
## TYPE 01

 IEC 335 / EN 175301-803  
IP65


function	connection		
	1	2	3
universal	NC	P	O
	NO	E	P
universal	MIX	P2	P1
	SEL	O 2	O 1

 P: Pressure  
E: Exhaust

O: Outlet

 Subbase mounting surface: ISO 15218  
(CNOMO E06.36.120N, size 15)


- ① Manual operator location
- ② 2 mounting screw M3 x 20
- ③ Version with LED and electrical protection

<b>weight<sup>(1)</sup></b>
0,047

<sup>(1)</sup> with standard connector.

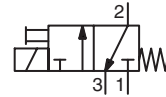
 All leaflets are available on: [www.asco.com](http://www.asco.com)



# MINI-SOLENOID VALVES

ISO 15218 (CNOMO, size 15) interface  
direct operated, pad mounting body  
connection M12 or with cable ends

NC



3/2  
Series  
302

## FEATURES

- Compact, monobloc solenoid pilot valve with M12 connector or cable ends
- Version with integrated LED indicator and electrical protection.  
LED indicator visible from 3 sides
- The solenoid valves satisfy all relevant EU directives

## GENERAL

**Differential pressure** See «SPECIFICATIONS» [1 bar = 100 kPa]  
**Pneumatic base** ISO 15218 (CNOMO E06.36.120N, size 15)  
**Connection** Subbase  
**Response time** 8 - 15 ms

fluids (*)	temperature range (TS)	seal materials (*)
air or inert gas filtered at 50 µm, lubricated or not	-25°C to +60°C (LP2) <sup>(1)</sup>	NBR (nitrile) FPM (fluoroelastomer)

<sup>(1)</sup> LP2: see "electrical characteristics" table

## MATERIALS IN CONTACT WITH FLUID

(\*) Ensure that the compatibility of the fluids in contact with the materials is verified

**Body** PAA  
**Internal parts** POM, PET, stainless steel and brass  
**Pneumatic interface seal** TPE

## OTHER MATERIALS

**Coil** Thermoplastic PET

## ELECTRICAL CHARACTERISTICS

**Coil insulation class** F  
**Connection** Connector M12 or cable ends  
**Electrical safety** IEC 335

connector M12 CNOMO E03.62.520.N  
 cable ends EN 60730

**Electrical enclosure protection** Moulded IP67 (EN 60529)  
**Standard voltages** DC (=) : 24V

coils		power ratings (◇)				operator ambient temperature range <sup>(3)</sup> (TS) (°C)	type <sup>(2)</sup>
power ranges	voltages (V)	inrush ~	holding ~	hot/cold =			
		~ =	(VA)	(VA) (W)	(W)		
LP2	- 24	-	-	-	1,15 / 1,35	-25 to +60	01-02-03

<sup>(2)</sup> Refer to the dimensional drawings on the following page. <sup>(3)</sup> For joinable subbase mounting, see pages suivantes.

## SPECIFICATIONS

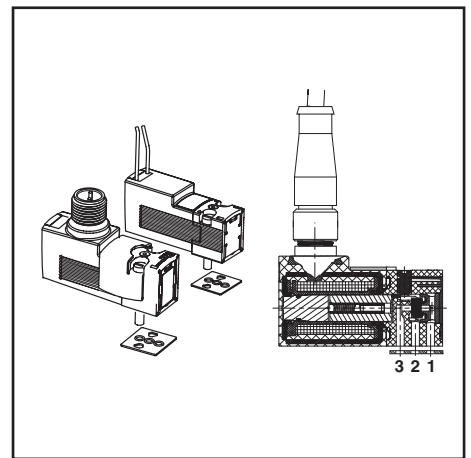
orifice size (mm)	flow at 6 bar l/min (ANR)		coefficient Kv		operating pressure differential (bar)		power ranges	basic catalogue number		
	1 → 2	2 → 3	1 → 2	2 → 3	min.	max. (PS)		impulse	manual operator	maintained
<b>NC - Normally closed, connection M12 + LED and protection</b>										
0,6	11	20	0,11	0,26	0	10	LP2	30212109		30212110
0,8	17	28	0,22	0,35	0	8	LP2	30212112		30212113
1,1	32	51	0,35	0,50	0	5	LP2	30212118		30212119
1,5	39	53	0,50	0,56	0	3	LP2	30212124		30212125
<b>NC - Normally closed, cable ends + LED and protection</b>										
0,6	11	20	0,11	0,26	0	10	LP2	30213109		30213110
0,8	17	28	0,22	0,35	0	8	LP2	30213112		30213113
1,1	32	51	0,35	0,50	0	5	LP2	30213118		30213119
1,5	39	53	0,50	0,56	0	3	LP2	30213124		30213125

When ordering:

	M12	cable
with connector	--D	⊗
without connector	--P	⊗
complete	⊗	--D

to be inserted after the basic catalogue number

- Examples:
- M12 with connector : 30212109--D
  - M12 without connector : 30212109--P
  - cable ends : 30213109--D



(◇) Nominal power ratings of standard versions (with LED indicator and electrical protection)

### OPTIONS AND ACCESSORIES

- Seals and disc made of FPM (fluoroelastomer)
- Versions without manual operator, NO (Normally Open), U (Universal) and Uv (Universal vacuum): contact us
- Version with pneumatic-electric interface
- Straight M12 connector:
  - with 5 m cable length: catalogue number **88130212**
- Explosionproof enclosures for use in zones 0/20-1/21-2/22, categories 1-2-3 to ATEX-Directive 2014/34/EU (see "Explosionproof solenoids" section)

### INSTALLATION

- The solenoid valves can be mounted in any position without affecting operation
- Solenoid valve supplied with mounting screws and mounting pad seal(s)
- Installation/maintenance instructions are included with each valve

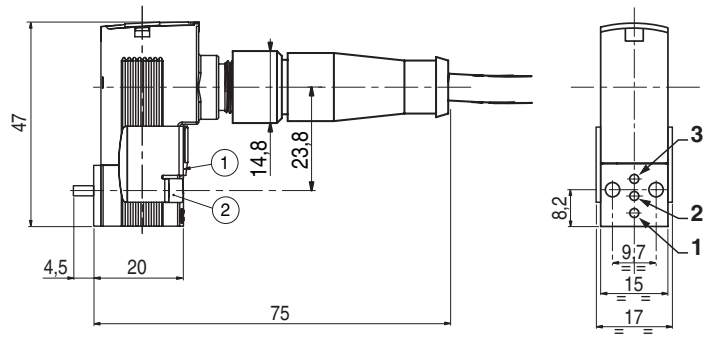
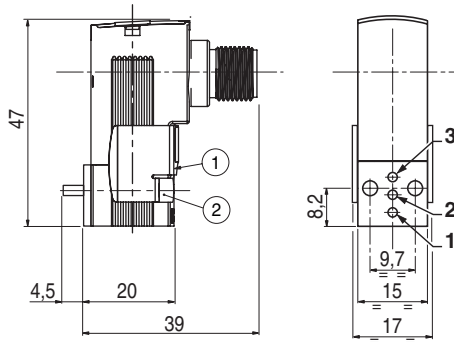
### DIMENSIONS (mm), WEIGHT (kg)



**TYPE 01**  
IEC 335  
Connection M12  
IP67



**TYPE 02**  
IEC 335 /  
Straight M12 connector, 5 m cable length  
IP67



- ① Manual operator location.
- ② 2 mounting screw M3 x 20

weight		
M12 <sup>(1)</sup>	<sup>(2)</sup>	cable ends
0,049	0,288	0,040

<sup>(1)</sup> Without connector

<sup>(2)</sup> With connector

function	connection		
	1	2	3
NC	P	O	E

P: Pressure

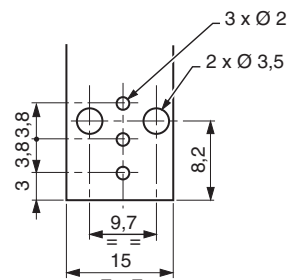
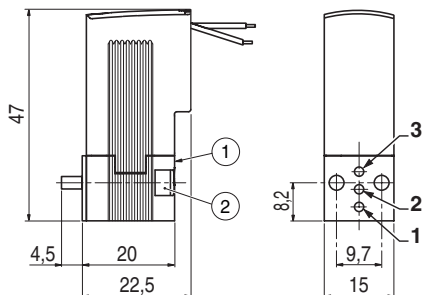
E: Exhaust

O: Outlet

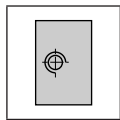


**TYPE 03**  
IEC 335  
Cable ends 0,3 m length  
IP67

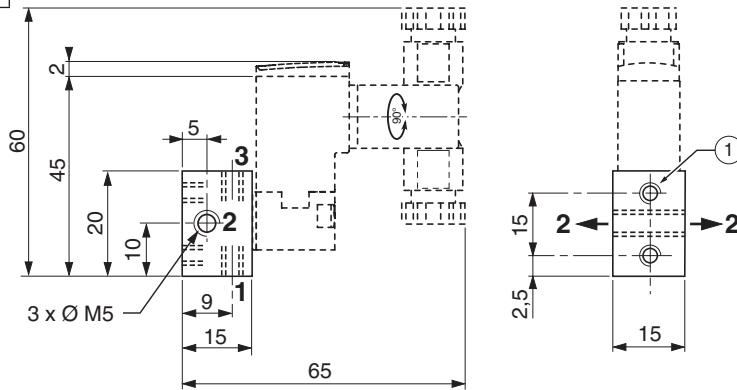
Subbase mounting surface: ISO 15218  
(CNOMO E06.36.120N, size 15)



### DIMENSIONS (mm), WEIGHT (kg)



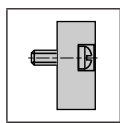
#### Single subbase Aluminium or brass



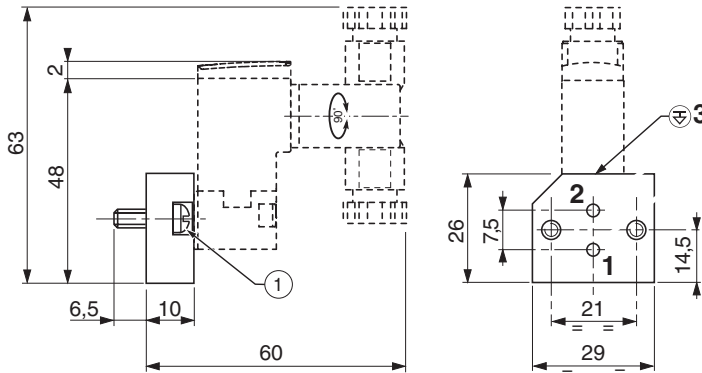
- ① Mounting: 2 holes M3, depth 4,5
- Orifice (2) can be connected on the left or on the right of the subbase.

material	catalogue number	weight <sup>(1)</sup>
aluminium	<b>88263002</b>	0,011
brass	<b>30300001</b>	0,034

<sup>(1)</sup> subbase alone



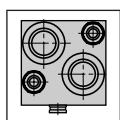
#### Adapter CNOMO size 30 (only for NC version) Aluminium



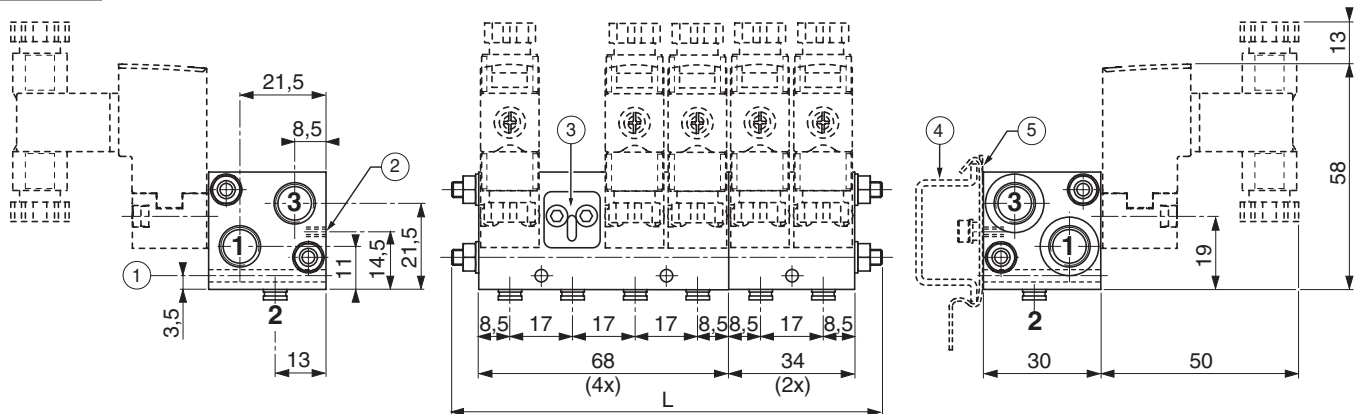
- ① Mounting: 2 screws M4 x 10 (supplied)

catalogue number	weight <sup>(2)</sup>
<b>88263001</b>	0,018

<sup>(2)</sup> adapter alone



#### Joinable subbases Aluminium



Ports 1 and 3: G1/8

Port 2: coupling for 4mm OD tube

- ① Fixing hole Ø 3,2 (2 for 4x ; 1 for 2x)
- ② Fixing hole M3, depth 8 (2 for 4x ; 1 for 2x)
- ③ Mating surface blanking plates (option)
- ④ TS35 DIN rail (not supplied)
- ⑤ Clip for DIN rail mounting (option)

catalogue number	x	subbases	L	weight <sup>(3)</sup>
<b>35500564</b>	2	2x	-	0,076
<b>35500565</b>	4	4x	-	0,148
<b>35500566</b>	6	4x + 2x	114	0,236
<b>35500567</b>	8	4x + 4x	148	0,313
<b>35500568</b>	10	4x + 4x + 2x	182	0,389
<b>35500569</b>	12	4x + 4x + 4x	216	0,466

<sup>(3)</sup> subbases alone

x = place for mini-solenoid valves.

2 plugs R1/8 supplied.

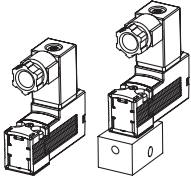
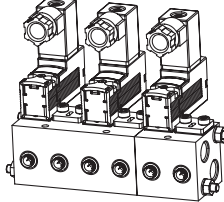
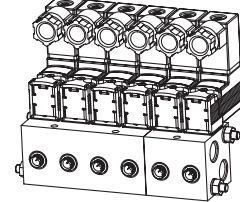
All leaflets are available on: [www.asco.com](http://www.asco.com)



**OPTIONS AND ACCESSORIES**

- Additional subbase with 2 places (with seals): catalogue number **35500570**
- 2 tie-rods + nuts for a subbase with:  
 4 places: catalogue number **88100752**  
 6 places: catalogue number **88100753**  
 8 places: catalogue number **88100754**  
 10 places: catalogue number **88100755**  
 12 places: catalogue number **88100756**
- Mounting kit for DIN rail (2 clips + screws + washers): catalogue number **88100757**
- Mating surface blanking plate: catalogue number **88130203**

**AMBIENT TEMPERATURE RANGES**

current type	power range	power coil		version			
		inrush/holding (VA) ~	hot/cold (W) =				
<b>DC (=)</b>	LP1 <sup>(1)</sup>	-	0,5/0,55	standard	-10°C ; +50°C		-10°C ; +50°C
	LP2 <sup>(1)</sup>	-	1/1,2	standard	-25°C ; +60°C		-25°C ; +60°C
		-	1,15/1,35	LED + protection			-25°C ; +40°C
	LP3 <sup>(2)</sup>	-	2/2,65	standard	-25°C ; +50°C		-25°C ; +40°C
-		2,15/2,8	LED + protection	-25°C ; +40°C		-	
<b>AC (~)</b>	LP2 <sup>(2)</sup>	1,4/1,2	-	standard	-25°C ; +60°C		-25°C ; +40°C
		1,8/1,6	-	LED + protection			-
	LP3 <sup>(2)</sup>	2,1/1,6	-	standard	-25°C ; +60°C		-25°C ; +40°C
		2,5/2	-	LED + protection	-25°C ; +50°C		-

<sup>(1)</sup> Voltage: -15% / +20%

<sup>(2)</sup> Voltage: -15% / +10%