

FEATURES

- The valves offer environmental protection against the ingress of liquids, dusts or other foreign matter (environmentally protected construction)
- For high reliability in very humid outside environments, the versions on [following pages](#) should preferably be used.

GENERAL

Fluids	Air or neutral gas, filtered, lubricated or not
Operating pressure	2 to 10 bar
Ambient temperature	-25°C to +60°C
Flow (Qv to 6 bar)	5/2 860 l/min (ANR) - Kv : 12,5
	5/3 760 l/min (ANR) - Kv : 11

CONSTRUCTION

SPOOL VALVE

Body	Aluminium, black anodized
Internal parts	Zinc diecast, stainless steel, POM (polyacetal), aluminium
Seals	NBR (nitrile) and PUR (polyurethane)

PILOT VALVE

Seals	NBR (nitrile) and PUR (polyurethane)
Electrical safety	IEC 335
Coil and magnetic circuit	Encapsulated monobloc design
Exhaust	Tapped M5 exhaust port, equipped with exhaust protection

ELECTRICAL CHARACTERISTICS

	voltage	consumption		insulation class	protection degree	electrical connection
		inrush	holding			
~	24V - 48V - 115V - 230V / 50Hz	6 VA	3,5 VA (2,5 W)	F	IP 65	spade plug connector size 22 EN 175301-803, industry standard form B (11 mm)
=	24V - 48V	2,5 W				

SPECIFICATIONS

	fonction symbol	operators solenoid air pilot (14) return (12)	catalogue number		(M)
			with connector	without connector	
5/2		spring return	55102009	55102010	●
		solenoid air return	55102011	55102012	●
5/3		pressure held W1	55102118	55102119	●
		pressure release W3	55102120	55102121	●

(M) Type of manual operator on pilot(s): ● : maintained

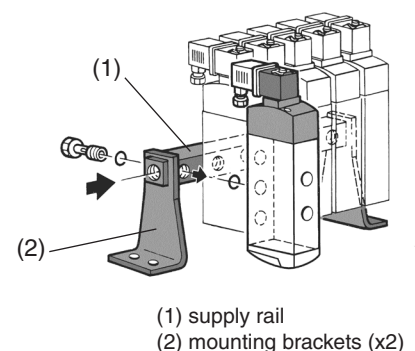
Note: do not connect the pressure supply to the exhaust port 3. For a "distributing" function or use in NO function, contact us.

ACCESSORIES

• Supply rails

	supply rail supplied with seals and banjo bolts (without mounting brackets) (1)	supply rail with isolation valves - allows isolation of one or more spool valves from the main pressure supply
supply rail for «n» valves	G 1/4	G 1/4
2	88100034	88100915
3	88100035	88100916
4	88100036	88100917
5	88100037	88100918
6	88100038	88100919
7	88100039	88100920
8	88100040	88100921

• Set of 2 mounting brackets (2) for supply rail - catalogue number : 88100049



OPTIONS

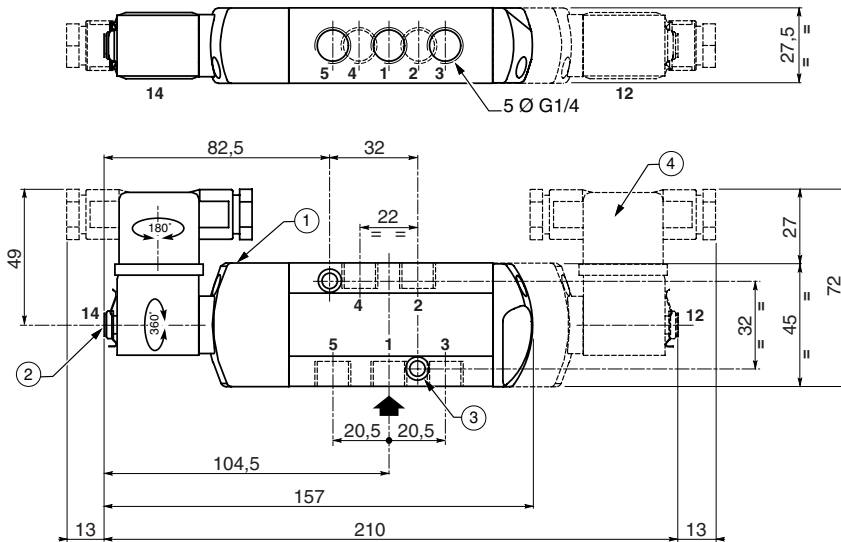
- Other voltages and 60 Hz on request
- [ATEX compliant coil with connector for use in potentially explosive dust environments \(SG\), zone 22](#)
- Connector size 22, cable length 2 m: **88122413**
- Electrovalve with connector equipped with visual indicator and built-in electrical protection:

catalogue number of spool valve without connector + catalogue number of connector with visual indicator and built-in electrical protection (- / =)

24V	48V	115V	230V
88122405	88122406	88122407	88122410

DIMENSIONS (mm), WEIGHT (kg)

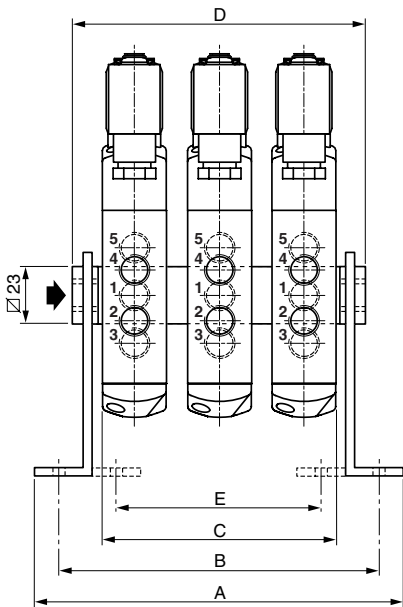
Weight: Spool valve + 1 pilot = 0,350 kg
Spool valve + 2 pilots = 0,470 kg



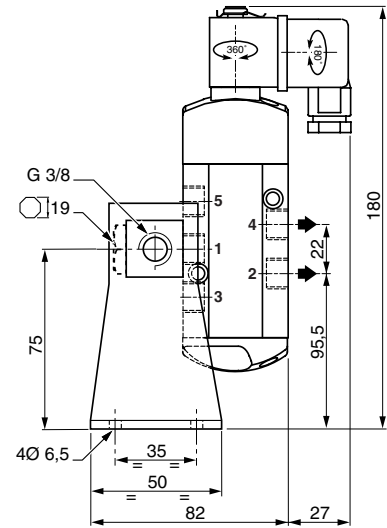
5/2-5/3 connection	
1	= Pressure
2,4	= Outlets
3,5	= Exhausts
12	= Return
14	= Pilot

- ① Maintained manual operator
- ② Connectable M5 exhaust with protection
- ③ 2 mounting holes: Ø 5,3 spotfacing: Ø 9, depth 5
- ④ Pilot side 12 for 5/2 bistable or 5/3 versions

ASSEMBLY WITH COMMON SUPPLY RAIL



series 551	number of valves							
	2	3	4	5	6	7	8	
A	108	136	164	192	220	248	276	
B	92	120	148	176	204	232	260	
C	55	83	111	139	167	195	223	
D	78	106	134	162	190	218	246	
E	42	70	98	126	154	182	210	
type	weight (kg)							
with 1 pilot	1	1,4	1,8	2,2	2,6	3	3,4	
with 2 pilots	1,3	1,8	2,3	2,8	3,3	3,8	4,3	



This mounting arrangement allows valves to be mounted in any of 4 positions

