



**SPECIFICATIONS**

FLUID : Air or neutral gas, filtered, lubricated or not  
 PRESSURE : Can be used with vacuum – 0,950 bar max.  
 – 0,950 to +12 bar  
 +3 to +12 bar (with internal differential return)  
 PILOT PRESSURE : See table below  
 TEMPERATURE : – 10°C, +60°C  
 FLOW (Qv at 6.3 bar) : 1400 l/min (ANR)  
 FLOW COEFFICIENTS  
 - conforming with ISO 6358 : C = 5.8 x 10<sup>-8</sup> m<sup>3</sup>/s.Pa (sonic conductance)  
 b = 0.28 (absolute static pressure)  
 - conforming with NF E29312 : KV = 20 (l/min)  
 LIFE : 30 millions cycles (in normal operating conditions)  
 BASE : ISO 5599/01 - Size 1 - AFNOR NF E49080  
 PORT : Subbases G 1/4 - G 3/8  
 SUBBASES : Single subbases ISO/AFNOR NF E49085  
 Joinable subbases ISO/VDMA 24345  
 Joinable subbases with integrated functions



**CONSTRUCTION**

Painted steel cover  
 Pilot and return assembly : acetal resin (POM)  
 Sealing nitrile (NBR) and polyurethane (PUR)  
 Internal parts : acetal resin (POM), light alloy  
 Multifunction pilot by selector seal (see page P570-3)  
 Without or with manual testers checking the position of the spool

1 = Pressure                    12 = Return  
 2-4 = Outlets                14 = Pilot  
 3-5 = Exhausts

**CHOICE OF EQUIPMENT**

	FUNCTIONS	Pilot pressure (bar)		CODES WITH manual testers	
		min.	max.		
<b>5/2</b>		Air operated - Spring return	3	12	<b>541 01 001</b>
		Air operated - Differential return	3	12	<b>541 01 002</b>
		Air operated - Air operated return	1,5	12	<b>541 01 003</b>
<b>5/3</b>		Pressure held <b>W1</b> air operated	3	12	<b>541 01 004</b>
		Pressure applied <b>W2</b> air operated	3	12	<b>541 01 013</b>
		Pressure release <b>W3</b> air operated	3	12	<b>541 01 005</b>

**SUBBASES AND ACCESSORIES ISO 1** : see pages P570-8 and 9

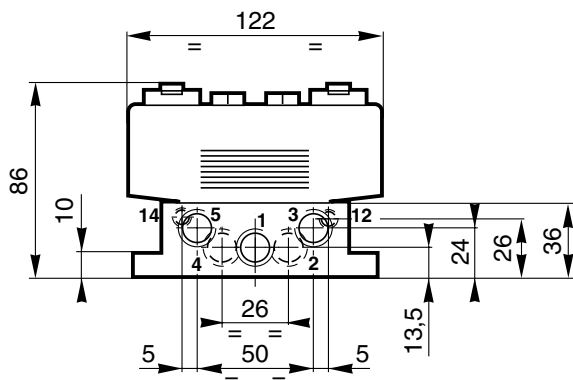
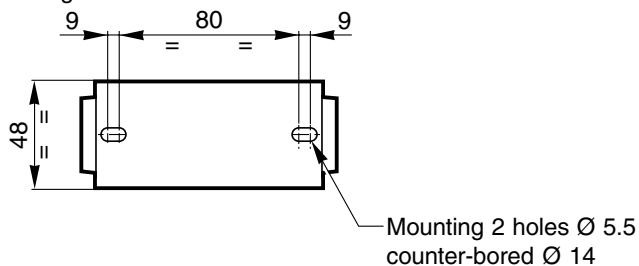
# Series 541/PH

## DIMENSIONS AND WEIGHTS

### VALVES ON SINGLE SUBBASES

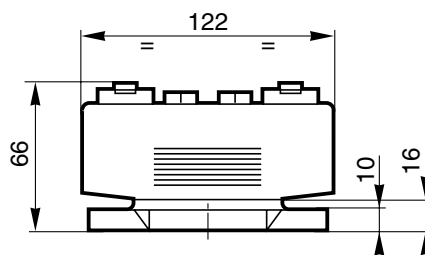
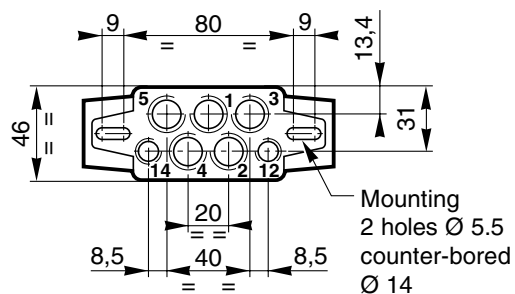
#### Side port

Weight : 0.880 kg



#### Bottom port

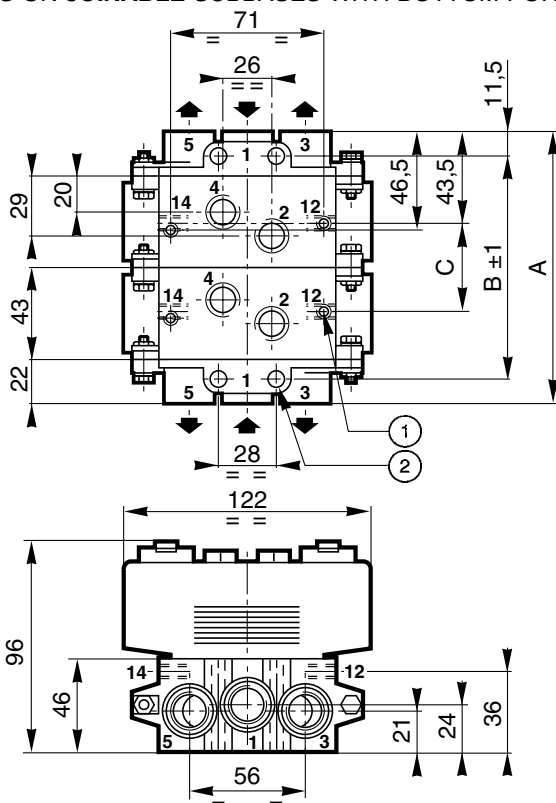
Weight : 0.500 kg



CODES subbases		Port orifices		
		12-14	1-2-4	3-5
355 00 076	Side	G 1/8	G 1/4	G 1/4
355 00 061				G 3/8
355 00 382	Side	G 1/8	G 3/8	G 3/8

CODES subbases		Port orifices		
		12-14	1-2-4	3-5
355 00 077		G 1/8	G 1/4	G 1/4
355 00 069	Instant fittings Ø4 OD   Ø8 OD			G 1/4

### VALVES ON JOINABLE SUBBASES WITH BOTTOM PORTS ISO/VDMA 24345



	CODE	Port orifices		
		12-14	2-4	1-3-5
Subbase	355 00 165	G 1/8	G 1/4	-
2 End plates	355 00 166	-	-	G 3/8

Set of end plates supplied with 3 plugs G 3/8 (for 1-3-5)

Number of subbases	A	B±1	C	Weights (kg)
3	173	150	86	2,150
4	216	193	129	2,800
5	259	236	172	3,450
6	302	279	215	4,100
7	345	322	258	4,750
8	388	365	301	5,400

Weights : valves + subbases + end plates

- ① Bottom mounting : 4 Ø M5
- ② Front mounting : 4 Ø 6.8