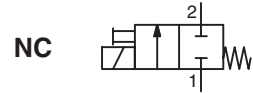




# MINI-SOLENOID VALVES

ISO 15218 (CNOMO, size 15) interface  
direct operated, pad mounting body  
connector size 15



2/2  
Series  
302

## FEATURES

- Compact, monobloc solenoid pilot valve with spade-plug connector type EN 175301-803, industry standard form C, with 9,4 mm spacing, or to EN 175301-803, form C, with 8 mm spacing
- Version with or without integrated LED and electrical protection  
LED indicator visible from 3 sides
- The solenoid valves satisfy all relevant EU directives

## GENERAL

**Differential pressure** See «SPECIFICATIONS» [1 bar = 100 kPa]  
**Pneumatic base** ISO 15218 (CNOMO E06.36.120N, size 15)  
**Connection** Subbase  
**Response time** 8 - 15 ms

fluids (*)	temperature range (TS)	seal materials (*)
air or inert gas	-25°C to +60°C (LP2) <sup>(1)</sup>	NBR (nitrile)
filtered at 50 µm, lubricated or not	-25°C to +60°C / +50°C (LP3) <sup>(1)</sup>	FPM (fluoroelastomer)

<sup>(1)</sup> LP2, LP3: see "electrical characteristics" table

## MATERIALS IN CONTACT WITH FLUID

(\*) Ensure that the compatibility of the fluids in contact with the materials is verified

**Body** PARA  
**Internal parts** POM, PET, stainless steel and brass  
**Seals** NBR (disc), FPM (others)  
**Pneumatic interface seal** TPE

## OTHER MATERIALS

**Coil** Thermoplastic PET

## ELECTRICAL CHARACTERISTICS

**Coil insulation class** F  
**Connector** Spade plug (cable Ø 4-6 mm)  
**Connector specification** EN 175301-803, industry standard form B (9,4 mm) or EN 175301-803, form C (8 mm)  
IEC 335

**Electrical safety** Moulded IP65 (EN 60529)  
**Electrical enclosure protection**  
**Standard voltages** DC (=): 24V  
AC (~): 24V - 115V - 230V / 50-60 Hz  
(Other voltages on request)

power ranges	coils		power ratings (↔)				operator ambient temperature range <sup>(3)</sup> (TS) (°C)	type <sup>(2)</sup>
	voltages (V)		inrush ~	holding ~	hot/cold =			
	~	=	(VA)	(VA)	(W)	(W)		
LP2	24-115	24	1,4	1,2	1,1	1 / 1,2	-25 to +60	01
LP3	230	24	2,1	1,6	1,5	2 / 2,65	-25 to +60 (~) / +50 (=) <sup>(3)</sup>	

<sup>(2)</sup> Refer to the dimensional drawings on the following page.

<sup>(3)</sup> With LED and joinable subbase mounting, see following pages

## SPECIFICATIONS

orifice size (mm)	flow				operating pressure differential (bar)		power ranges	basic catalogue number				
	at 6 bar l/min (ANR)		coefficient Kv					manual operator		maintained		
	1 → 2	2 → 3	1 → 2	2 → 3	min.	max. (PS)		impulse				
							9,4 mm	8 mm	9,4 mm	8 mm		
							~	=	=	~	=	=
<b>NC - Normally closed (Without LED and protection)</b>												
0,6	11	20	0,11	0,26	0	10	LP2	30211007	30210007	30211008	30210008	
0,8	17	28	0,22	0,35	0	8	LP2	30211010	30210010	30211011	30210011	
1,1	32	51	0,35	0,50	0	5	LP2	30211016	30210016	30211017	30210017	
					0	10	LP3	30211019	30210019	30211020	30210020	
1,5	39	53	0,50	0,56	0	3	LP2	30211022	30210022	30211023	30210023	
					0	6	LP3	30211025	30210025	30211026	30210026	
<b>NC - Normally closed (With LED and protection) <sup>(4)</sup></b>												
0,6	11	20	0,11	0,26	0	10	LP2	30215007	30214007	30215008	30214008	
0,8	17	28	0,22	0,35	0	8	LP2	30215010	30214010	30215011	30214011	
1,1	32	51	0,35	0,50	0	5	LP2	30215016	30214016	30215017	30214017	
					0	10	LP3	30215019	-	30215020	-	
1,5	39	53	0,50	0,56	0	3	LP2	30215022	30214022	30215023	30214023	
					0	6	LP3	30215025	-	30215026	-	

<sup>(4)</sup> Only available in 24 V AC/DC and 115 V AC.

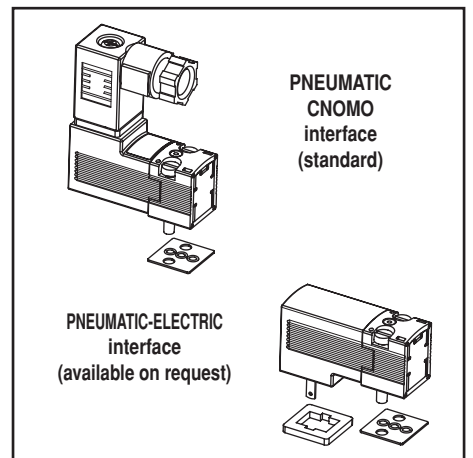
When ordering, please specify in addition to the basic catalogue number:

the type of current: voltage / frequency + the version: with or without connector

	~	=
with connector	--A	--D
without connector	--L	--P

to be inserted after the basic catalogue number

Examples: • with connector 24V DC : 30211007--D 24V DC  
• without connector 24V DC : 30211007--P 24V DC



(↔) Nominal power ratings of versions without LED indicator and electrical protection.

For versions with LED indicator and electrical protection, add:  
0,15 W with DC (=)  
0,4 W / VA with AC (-)

### OPTIONS AND ACCESSORIES

- Seals and disc made of FPM (fluoroelastomer)
- Versions without manual operator and NO (Normally Open): contact us
- Version with pneumatic-electric interface
- Version 12 V DC, LP2, connector EN 175301-803, industry standard form C (9,4 mm)
- **Connector EN 175301-803, form C (8 mm):**
  - standard: catalogue number **88130211**
  - with cable 2 m length: Contact us
- **Connector EN 175301-803, industry standard form C (9,4 mm):**
  - standard: catalogue number **88143581**
  - with cable 2 m length: catalogue number **88143567**
- Explosionproof enclosures for use in zones 0/20-1/21-2/22, categories 1-2-3 to ATEX-Directive 2014/34/EU (see "Explosionproof solenoids" section)

### INSTALLATION

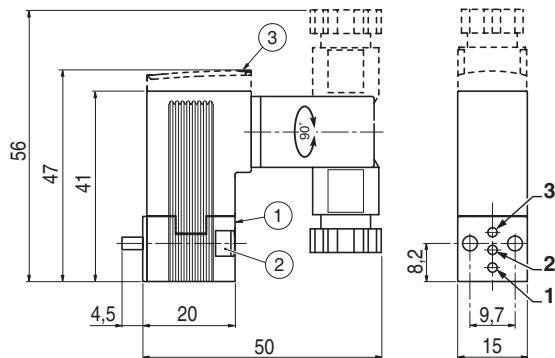
- The solenoid valves can be mounted in any position without affecting operation
- Solenoid valve supplied with mounting screws and mounting pad seal(s)
- Installation/maintenance instructions are included with each valve

### DIMENSIONS (mm), WEIGHT (kg)



#### TYPE 01

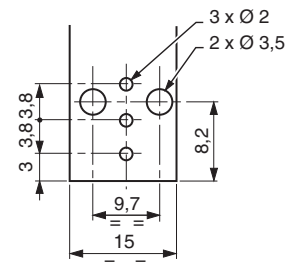
IEC 335 / EN 175301-803  
IP65



Subbase mounting surface: ISO 15218  
(CNOMO E06.36.120N, size 15)

function	connection		
	1	2	3
NC	P	O	-

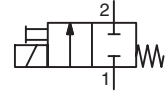
P: Pressure  
O: Outlet



- ① Manual operator location
- ② 2 mounting screw M3 x 20
- ③ Version with LED and electrical protection

weight <sup>(1)</sup>
0,047

<sup>(1)</sup> with standard connector.



## FEATURES

- Compact, monobloc solenoid pilot valve with M12 connector or cable ends
- Version with integrated LED indicator and electrical protection.  
LED indicator visible from 3 sides
- The solenoid valves satisfy all relevant EU directives

## GENERAL

**Differential pressure** See «SPECIFICATIONS» [1 bar = 100 kPa]  
**Pneumatic base** ISO 15218 (CNOMO E06.36.120N, size 15)  
**Connection** Subbase  
**Response time** 8 - 15 ms

fluids (*)	temperature range (TS)	seal materials (*)
air or inert gas filtered at 50 µm, lubricated or not	-25°C to +60°C (LP2) <sup>(1)</sup>	NBR (nitrile) FPM (fluoroelastomer)

<sup>(1)</sup> LP2: see "electrical characteristics" table

## MATERIALS IN CONTACT WITH FLUID

(\*) Ensure that the compatibility of the fluids in contact with the materials is verified

**Body** PAA  
**Internal parts** POM, PET, stainless steel and brass  
**Pneumatic interface seal** TPE

## OTHER MATERIALS

**Coil** Thermoplastic PET

## ELECTRICAL CHARACTERISTICS

**Coil insulation class** F  
**Connection** Connector M12 or cable ends  
**Electrical safety** IEC 335  
connector M12 CNOMO E03.62.520.N  
cable ends EN 60730  
**Electrical enclosure protection** Moulded IP67 (EN 60529)  
**Standard voltages** DC (=) : 24V

power ranges	coils		power ratings (◇)			operator ambient temperature range <sup>(3)</sup> (TS) (°C)	type <sup>(2)</sup>
	voltages (V)		inrush	holding	hot/cold		
LP2	~	=	(VA)	(VA) (W)	(W)	-25 to +60	01-02-03
	-	24	-	-	1,15 / 1,35		

<sup>(2)</sup> Refer to the dimensional drawings on the following page. <sup>(3)</sup> For joinable subbase mounting, see pages suivantes.

## SPECIFICATIONS

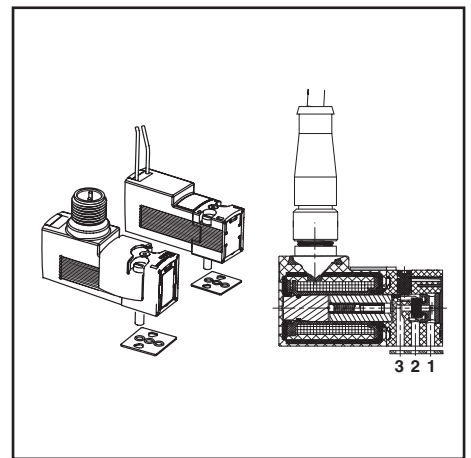
orifice size (mm)	flow				operating pressure differential (bar)		power ranges	basic catalogue number	
	at 6 bar l/min (ANR)		coefficient Kv		min.	max. (PS)		impulse	manual operator maintained
	1 → 2	2 → 3	1 → 2	2 → 3					
<b>NC - Normally closed, connection M12 + LED and protection</b>									
1,5	39	53	0,50	0,56	0	3	LP2	30212022	30212023
<b>NC - Normally closed, cable ends + LED and protection</b>									
1,5	39	53	0,50	0,56	0	3	LP2	30213022	30213023

When ordering:

	M12	cable
with connector	--D	<input checked="" type="checkbox"/>
without connector	--P	<input checked="" type="checkbox"/>
complete	<input checked="" type="checkbox"/>	--D

} to be inserted after the basic catalogue number

- Examples:
- M12 with connector : **30212022--D**
  - M12 without connector : **30212022--P**
  - cable ends : **30213022--D**



(◇) Nominal power ratings of standard versions (with LED indicator and electrical protection)

### OPTIONS AND ACCESSORIES

- Seals and disc made of FPM (fluoroelastomer)
- Versions without manual operator and NO (Normally Open): contact us
- Version with pneumatic-electric interface
- Straight M12 connector:
  - with 5 m cable length: catalogue number **88130212**
- Explosionproof enclosures for use in zones 0/20-1/21-2/22, categories 1-2-3 to ATEX-Directive 2014/34/EU (see "Explosionproof solenoids" section)

### INSTALLATION

- The solenoid valves can be mounted in any position without affecting operation
- Solenoid valve supplied with mounting screws and mounting pad seal(s)
- Installation/maintenance instructions are included with each valve

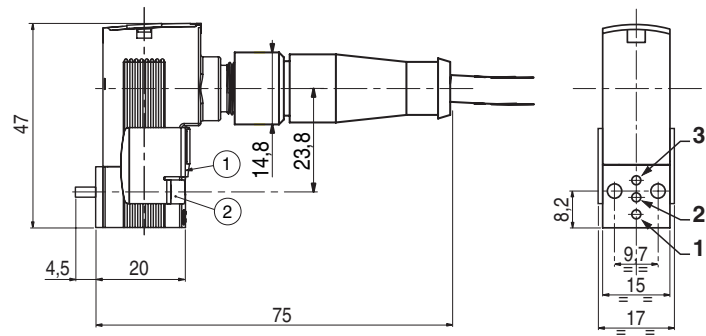
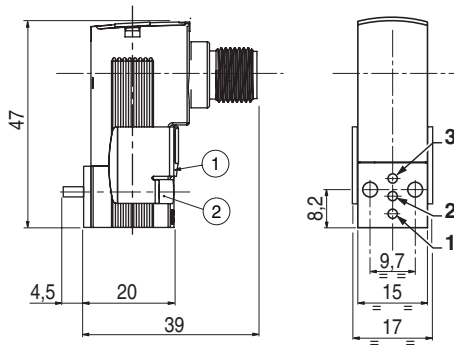
### DIMENSIONS (mm), WEIGHT (kg)



**TYPE 01**  
IEC 335  
Connection M12  
IP67



**TYPE 02**  
IEC 335  
Straight M12 connector, 5 m cable length  
IP67



- ① Manual operator location.
- ② 2 mounting screw M3 x 20

M12 <sup>(1)</sup>		weight	cable ends
<sup>(1)</sup>	<sup>(2)</sup>		
0,049	0,288		0,040

- <sup>(1)</sup> Without connector
- <sup>(2)</sup> With connector

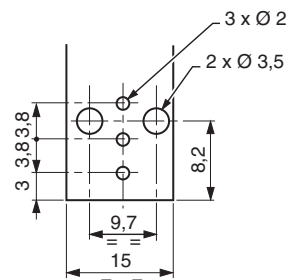
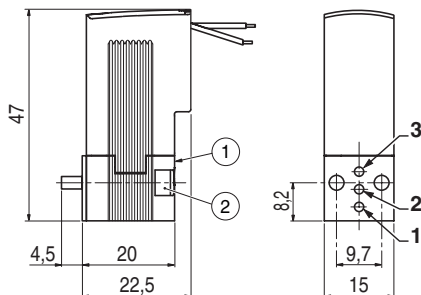
function	connection		
	1	2	3
NC	P	O	-

P: Pressure      O: Outlet

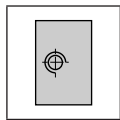


**TYPE 03**  
IEC 335  
Cable ends 0,3 m length  
IP67

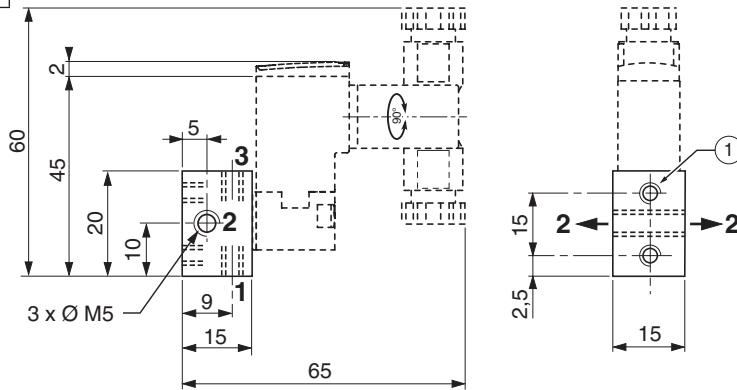
Subbase mounting surface: ISO 15218  
(CNOMO E06.36.120N, size 15)



### DIMENSIONS (mm), WEIGHT (kg)



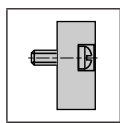
#### Single subbase Aluminium or brass



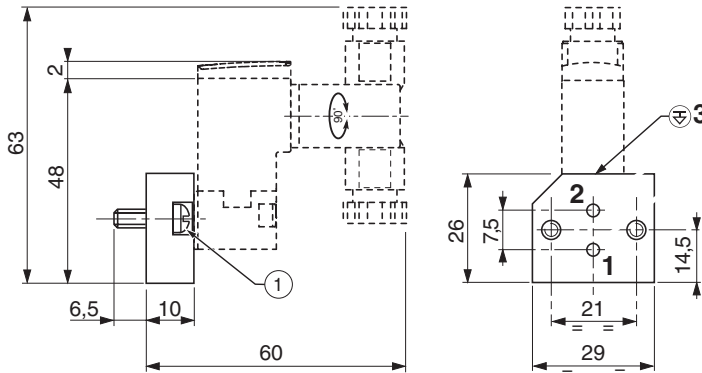
- ① Mounting: 2 holes M3, depth 4,5  
Orifice (2) can be connected on the left or on the right of the subbase.

material	catalogue number	weight <sup>(1)</sup>
aluminium	<b>88263002</b>	0,011
brass	<b>30300001</b>	0,034

<sup>(1)</sup> subbase alone



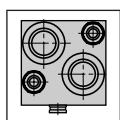
#### Adapter CNOMO size 30 (only for NC version) Aluminium



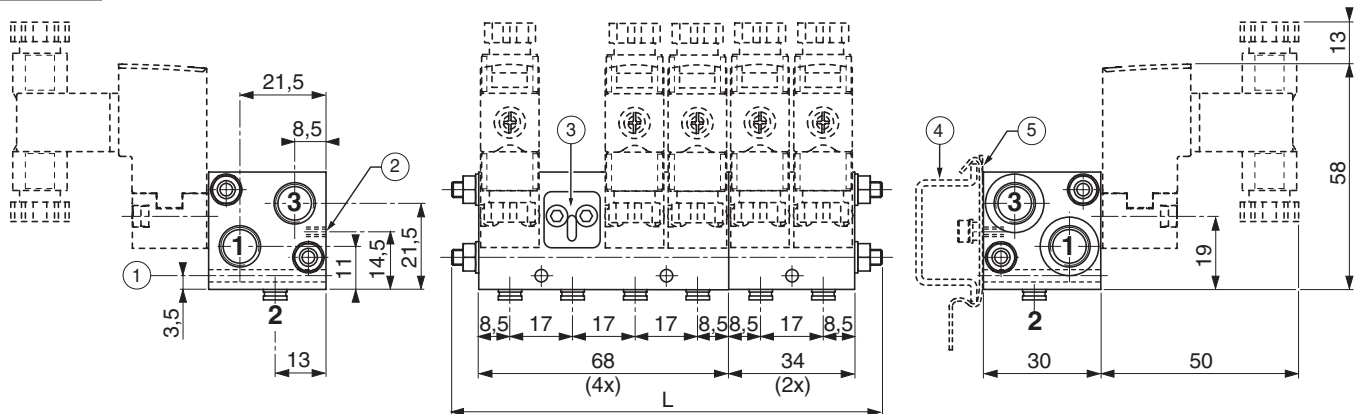
- ① Mounting: 2 screws M4 x 10 (supplied)

catalogue number	weight <sup>(2)</sup>
<b>88263001</b>	0,018

<sup>(2)</sup> adapter alone



#### Joinable subbases Aluminium



Ports 1 and 3: G1/8

Port 2: coupling for 4mm OD tube

- ① Fixing hole  $\varnothing$  3,2 (2 for 4x ; 1 for 2x)
- ② Fixing hole M3, depth 8 (2 for 4x ; 1 for 2x)
- ③ Mating surface blanking plates (option)
- ④ TS35 DIN rail (not supplied)
- ⑤ Clip for DIN rail mounting (option)

catalogue number	x	subbases	L	weight <sup>(3)</sup>
<b>35500564</b>	2	2x	-	0,076
<b>35500565</b>	4	4x	-	0,148
<b>35500566</b>	6	4x + 2x	114	0,236
<b>35500567</b>	8	4x + 4x	148	0,313
<b>35500568</b>	10	4x + 4x + 2x	182	0,389
<b>35500569</b>	12	4x + 4x + 4x	216	0,466

<sup>(3)</sup> subbases alone

x = place for mini-solenoid valves.

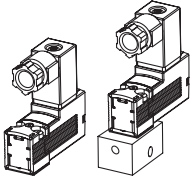
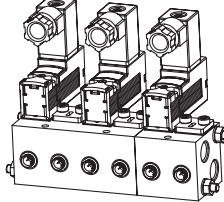
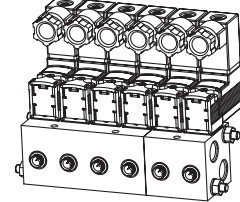
2 plugs R1/8 supplied.

All leaflets are available on: [www.asco.com](http://www.asco.com)

**OPTIONS AND ACCESSORIES**

- Additional subbase with 2 places (with seals): catalogue number **35500570**
- 2 tie-rods + nuts for a subbase with:  
 4 places: catalogue number **88100752**  
 6 places: catalogue number **88100753**  
 8 places: catalogue number **88100754**  
 10 places: catalogue number **88100755**  
 12 places: catalogue number **88100756**
- Mounting kit for DIN rail (2 clips + screws + washers): catalogue number **88100757**
- Mating surface blanking plate: catalogue number **88130203**

**AMBIENT TEMPERATURE RANGES**

current type	power range	power coil		version	  	
		inrush/holding (VA) ~	hot/cold (W) =			
<b>DC (=)</b>	LP2 <sup>(1)</sup>	-	1/1,2	standard	-25°C ; +60°C	-25°C ; +60°C
		-	1,15/1,35	LED + protection		-25°C ; +40°C
	LP3 <sup>(2)</sup>	-	2/2,65	standard	-25°C ; +50°C	-25°C ; +40°C
		-	2,15/2,8	LED + protection	-25°C ; +40°C	-
<b>AC (~)</b>	LP2 <sup>(2)</sup>	1,4/1,2	-	standard	-25°C ; +60°C	-25°C ; +40°C
		1,8/1,6	-	LED + protection		-25°C ; +40°C
	LP3 <sup>(2)</sup>	2,1/1,6	-	standard	-25°C ; +60°C	-25°C ; +40°C
		2,5/2	-	LED + protection	-25°C ; +50°C	-

<sup>(1)</sup> Voltage: -15% / +20%

<sup>(2)</sup> Voltage: -15% / +10%