

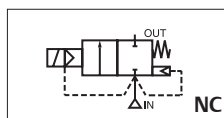
ASCO™ Solenoid Valves

pilot operated, single flow, floating piston for petrol vending, 3/4

2/2
SERIES
291

Features

- The normally closed petrol dispensing valves are especially designed to meet the particular needs for the fuel dispensers
- The high quality polyphenylene sulfide piston guarantees a long operating life and a wide temperature range. Hydrocarbon resistant FPM seal material for tight shut off
- Choice of explosion proof operators, intended for use in potentially explosive atmospheres, according to Directive ATEX 2014/34/EU
- Solenoid ingress protection degree \geq IP65
- ASCO™ components satisfy all relevant EC directives



General

Differential pressure 0,3 - 3,5 bar [1 bar = 100kPa]
Ambient temperature range -40 to +70°C

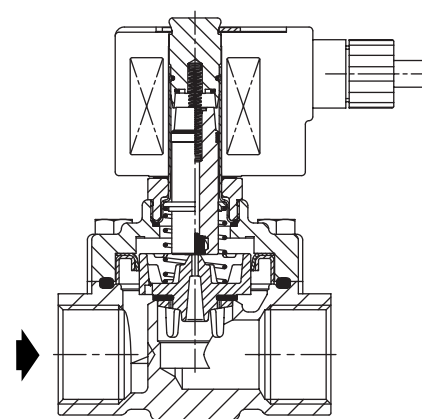
fluids (*)	temperature range (TS)	seal materials (*)
Petrol & Liquid fuels	-40 to +70°C	FPM (fluoroelastomer) / VMQ (silicone)



Materials in contact with fluid

(*) Ensure that the compatibility of the fluids in contact with the materials is verified

Body	Brass
Bonnet	Brass
Core tube	Stainless steel
Core and plugnut	Stainless steel
Core disc	FPM
Core guide	POM
Rider ring	PTFE
Springs	Stainless steel
Sealing	FPM / VMQ
Piston	PPS
Piston disc	FPM
Lip seal	PTFE
Piston support	Brass



Electrical Characteristics

Coil insulation class F
Electrical safety IEC 335
Standard voltages DC (=) 24V - 48V

prefix option	power ratings		operator ambient temperature range (TS)	safety code	electrical enclosure protection (EN 60529)	replacement coil		type (1)
	holding ~	hot/cold =				~	=	
	(W)	(W)						
PV	-	9,0 / 11,2	-40 to +65	II2G Ex mb IIC Gb T4, II2D Ex mb IIC Db	moulded IP67	-	(2)	01
EF	-	9,0 / 11,2	-40 to +55	NEMA type 7 and 9	Nema 4X	-	238714-006D	02
SC	-	9,0 / 11,2	-40 to +55	EN 60730	moulded IP65	-	400425-142	03

(1) Refer to the dimensional drawings on page 6

(2) Multiple coils kits available under ATEX, contact us
- Not available

Specifications

pipe size	orifice size	flow coefficient Kv		operating pressure differential (bar)		prefix optional solenoids					basic catalogue number
						NEMA 7&9	ATEX / IECEx			IP65	
							Ex db	Ex eb mb	Ex mb		
G	(mm)	(m³/h)	(l/min)	min	max. PS =	EF (1)	NF	EM	PV	SC	
NC - Normally closed											
3/4	20	3,9	65	0,3	3,5	●	-	-	●	●	G291A110

● Available feature - Not available
(1) Prefix EF should always be used in conjunction with change letter G in the basic number

Installation

- The valves can be mounted in any position without affecting operation
- Pipe connection identifier is: G = pipe thread according to ISO 228/1
- Installation/maintenance instructions are included with each valve
- PV solenoids have a standard cable length of 2 meters. Other lengths in full meters are available on request
- SC solenoids are supplied with ISO 4400 spade plug connectors (cable Ø 6-10 mm)

Dimensions (mm), Weight (kg)

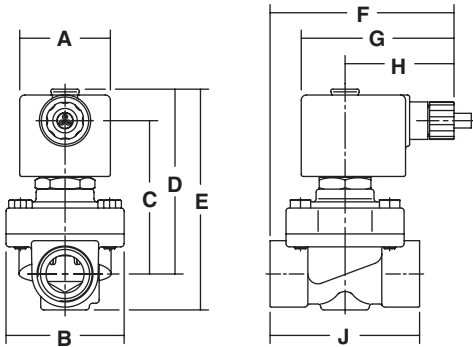


TYPE 01:
Prefix "PV" Solenoid
Epoxy encapsulated
II2G Ex mb IIC Gb T4, II2D Ex mb IIIC Db
IP67

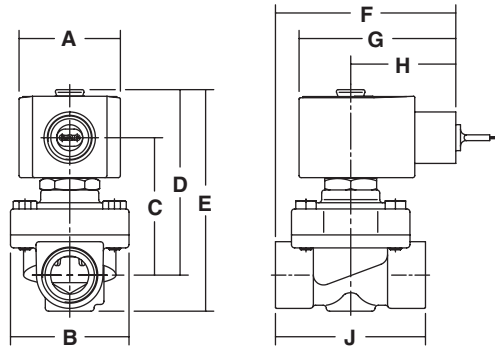


TYPE 02:
Prefix "EF" Solenoid
Epoxy encapsulated
ICS-6 ANSI / NEMA
Type 7 and 9 (applicable to solenoid only)

G291A110

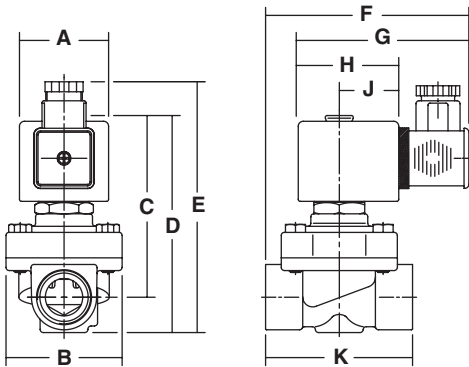


G291G110



TYPE 03:
Prefix "SC" Solenoid
Epoxy moulded
IEC 335 / ISO 4400
IP65

G291A110



type	AC/DC	prefix option	catalogue number	spare parts kits	A	B	C	D	E	F	G	H	J	K	weight
01	=	PV	G291A110	PVC117690	45	58	75	91	108	90	75	54	73	-	1,2 kg
02	=	EF	G291G110	EFC117690	50	58	67	91	108	88	77	51	73	-	1,3 Kg
03	=	SC	G291A110	C117690	45	58	91	108	125	102	85	50	30	73	1,1 Kg

02001GB [X020] 2019/R01-- Availability, design and specifications are subject to change without notice. All rights reserved.