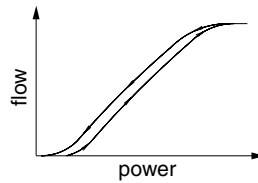


## FEATURES

- Proportional valve for use with neutral or aggressive liquids and gases in industrial processes and in analytical and medical systems.
- RoHS compliant.
- Variable flow, proportional to the coil current.
- Valves do not require a minimum operating pressure.
- Hermetic separation of control mechanism and fluid:
  - Prevents particulate contamination caused by friction of moving parts, assuring maximum purity of fluid.
  - Ensures reliable operation in applications with highly aggressive fluids.
- Reduced heat transfer between control mechanism and fluid.
- Good self-draining capability and easy-to-flush internal cavity.
- Low internal volume.
- Specific flapper mechanism: no pump effect, no stick effect.
- Electrical spade-plug connection (cable-ends: contact us).



## GENERAL

<b>Differential pressure</b>	0 to 4,5 bar (suitable for vacuum applications)
<b>Maximum viscosity</b>	20 cSt (mm <sup>2</sup> /s)
<b>Response time</b>	< 20 ms
<b>Internal volume</b>	< 0,48 ml (couplings not included)

fluids (*)	temperature range (TS)	seal materials (*)
liquids or gases (filtered 50 µm)	+5°C to + 50°C	FFPM (perfluoroelastomer)
		FPM (fluoroelastomer)
		EPDM (ethylene-propylene)

## MATERIALS IN CONTACT WITH FLUID

(\*) Ensure that the compatibility of the fluids in contact with the materials is verified.

<b>Body</b>	PEEK
<b>Diaphragm</b>	FFPM or FPM or EPDM
<b>Seals</b>	FFPM or FPM or EPDM

## OTHER MATERIALS

<b>Internal parts</b>	Stainless steel
-----------------------	-----------------

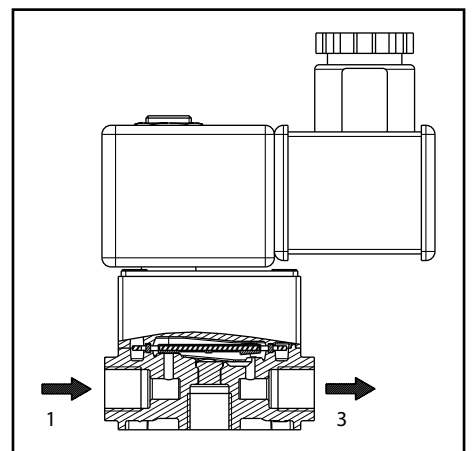
## ELECTRICAL CHARACTERISTICS

<b>Coil insulation class</b>	F
<b>Connector</b>	Spade plug (cable Ø 6-10 mm) ISO 4400 / EN175301-803 Form A (Type 02), distance between contacts 18 mm, cable ends: contact us.
<b>Electrical safety</b>	IEC 335
<b>Electrical enclosure protection</b>	IP65 (EN 60529)
<b>Standard voltages</b>	DC (=) : 12V, 24V -5% / +10% (other volrages: contact us)
<b>Power</b>	9W at 20°C
<b>Duty cycle</b>	100% at ambient temperature +5°C to +55°C
<b>Regelbereich</b>	0 - 375mA with 24V coil 0 - 750mA with 12V coil pulse-width modulation (1000 Hz)
<b>Flow regulation characteristic</b>	Hysteresis typ. 20%; Repeatability typ. 5%; Sensitivity typ. 1%

## SPECIFICATIONS

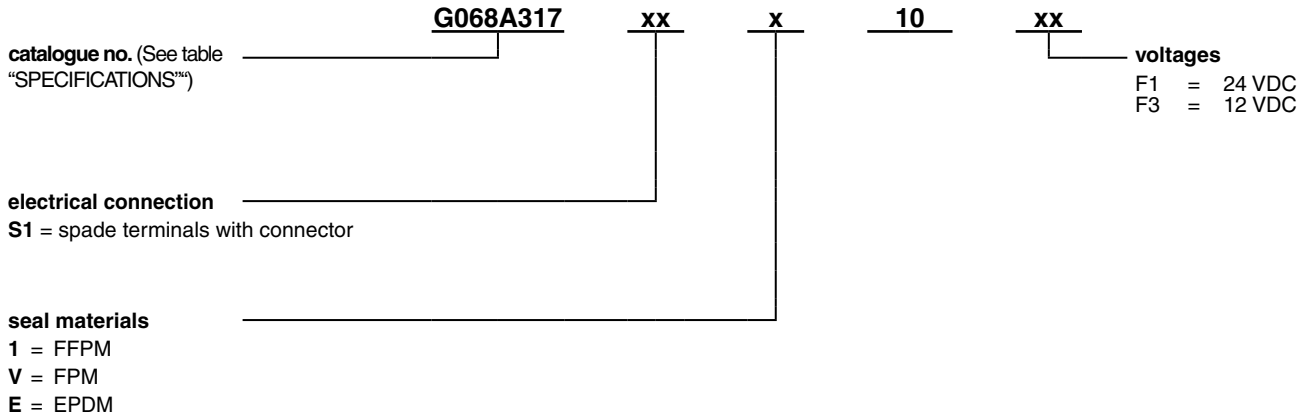
pipe size	orifice size	flow coefficient Kv		operating pressure differential (bar)		power coil (W)	catalogue number
				min.	max.		body PEEK
	(mm)	(m <sup>3</sup> /h)	(l/min)		Gases, liquids (*)	=	x: see ORDERING
<b>2/2 NC - Normally closed</b>							
G 1/8	2	0,069	1,15	0	4,5	9	<b>G068A317xxx10xx</b>
	3	0,123	2,05	0	2,0	9	<b>G068A318xxx10xx</b>
pad mounting <sup>(1)</sup>	2	0,069	1,15	0	4,5	9	<b>R068A317xxx10xx</b>
	3	0,123	2,05	0	2,0	9	<b>R068A318xxx10xx</b>

<sup>(1)</sup> 4 hexagon socket screws M3 x 8 mm, stainless steel, ISO 4762 (supplied).



**ORDERING**

**15-DIGIT PRODUCT CODE**



**Ordering example:** R068A317S1E10F1 = orifice size 2 mm, pad-mounting body, spade terminals with connector, EPDM seals, 24 VDC

**OPTIONS**

- Other subbases, contact us
- Digital control module CONTROL<sup>D</sup> for DIN EN 50022 rail mounting (see page 143)
  - Used as a current regulator in open loop applications
  - Used with an external sensor for closed-loop applications
- Electronic proportional control unit (see page 145)  
catalogue number: X90850164500100 (setpoint 0 - 10V) / X90850164500200 (setpoint 4 - 20mA)
- Other voltages and coils with flying leads on request.
- Plug with visual indication and peak voltage suppression or with cable (see "Solenoids, Coils & Accessories" section in the catalogue "Fluid Automation, Solenoid and Pressure Operated Valves").

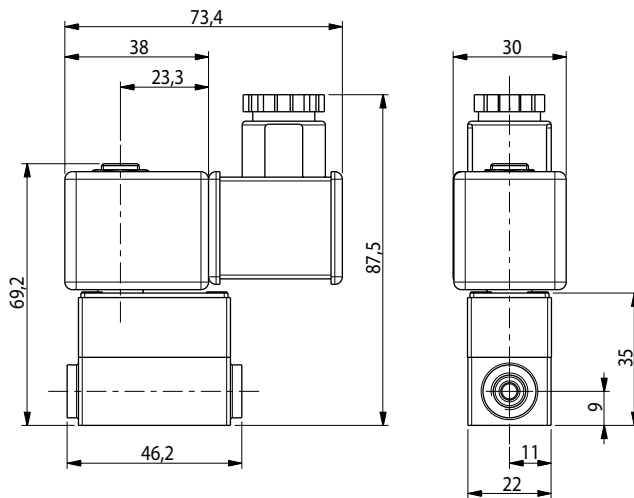
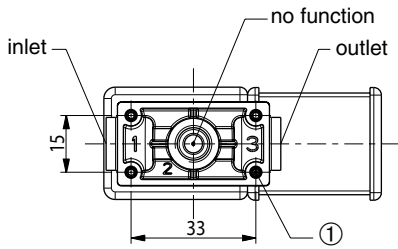
**INSTALLATION**

- The solenoid valves can be mounted in any position without affecting operation.
- Pad-mounting solenoid valve supplied with seal.
- Pipe connections 1/8 have standard thread according to ISO 228/1.

### DIMENSIONS (mm), WEIGHT (kg)

#### G 1/8

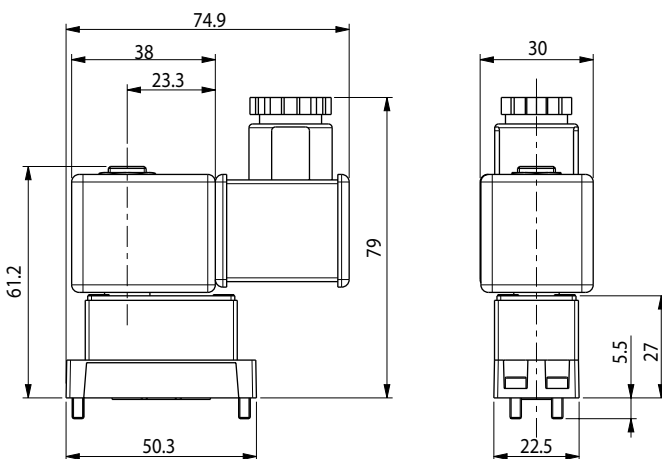
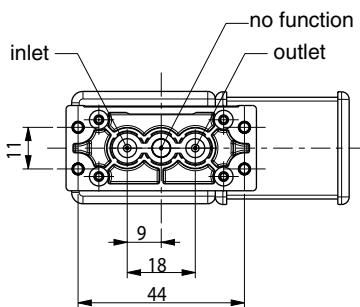
Weight: 0,189 kg



① 4 mounting holes, max. depth 7 mm, for self-tapping screw (type EJOT PT, K30)

#### Pad mounting body

Weight: 0,186 kg



#### SUBBASE MOUNTING PATTERN

